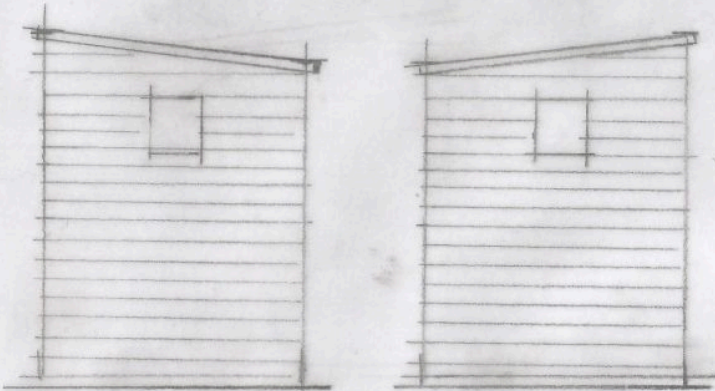
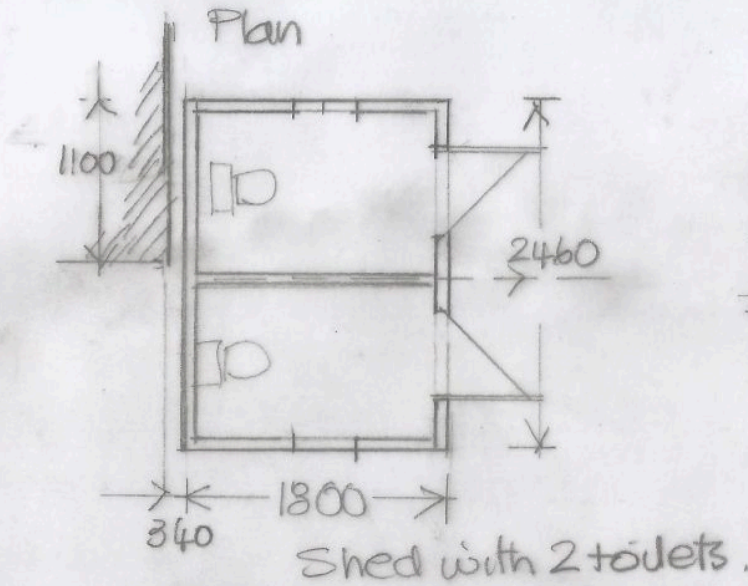
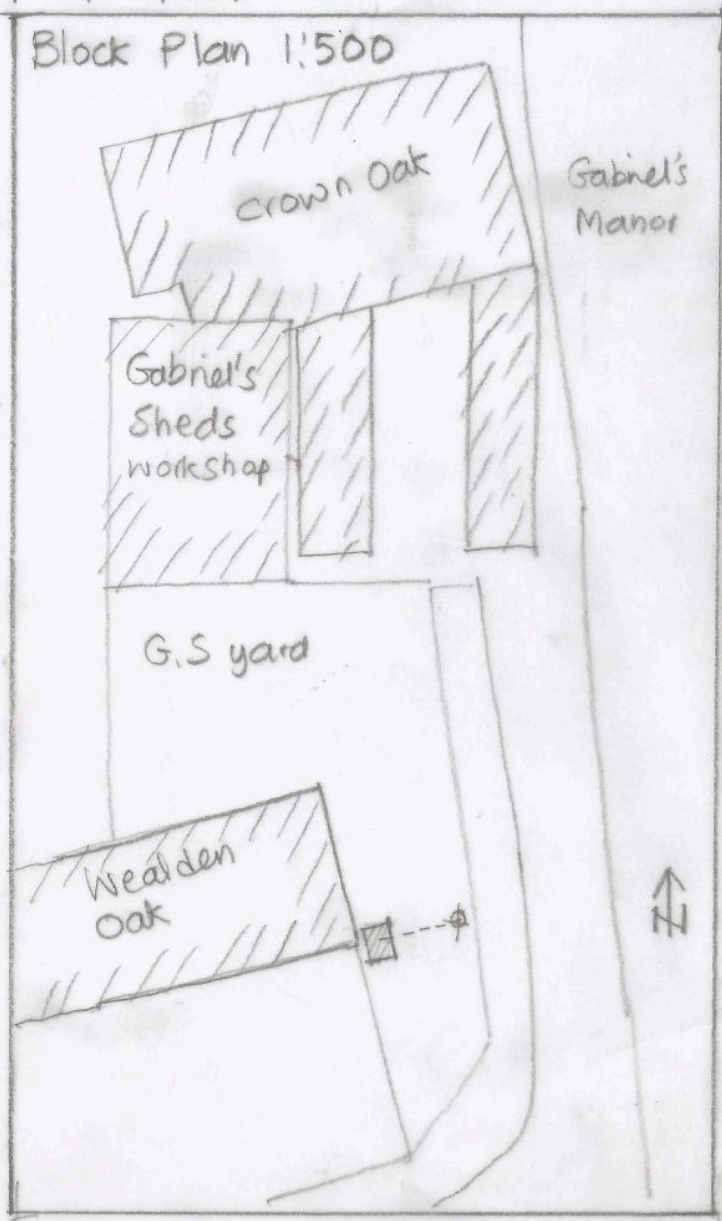


Gabriel's Sheds
 Unit 6, Gabriel's Farm
 Marsh Green, TN8 5PP

Retention of timber structure
 used as a toilet

DO1A

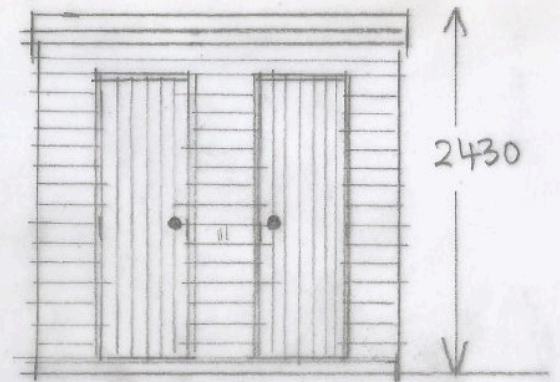
0 5 10 15m



Side elevations

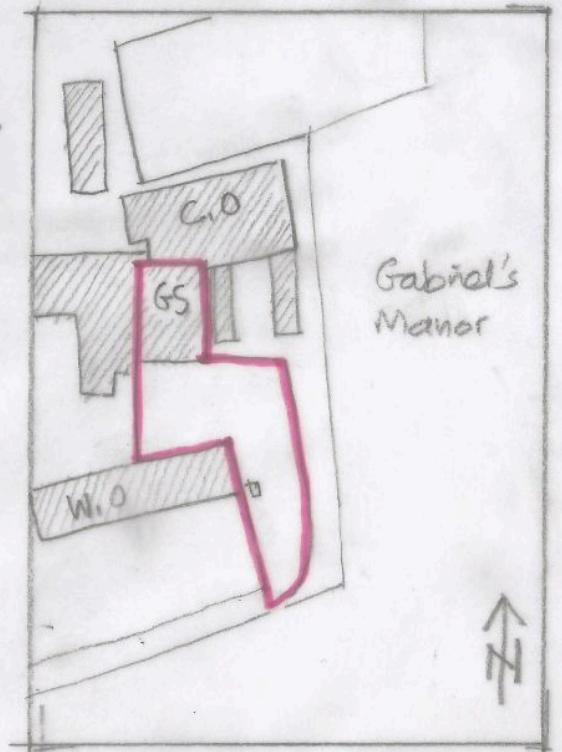
Plan and Elevations 1:50

0 1 2m



Front Elevation

0 10 20 30m



Location Plan 1:1250