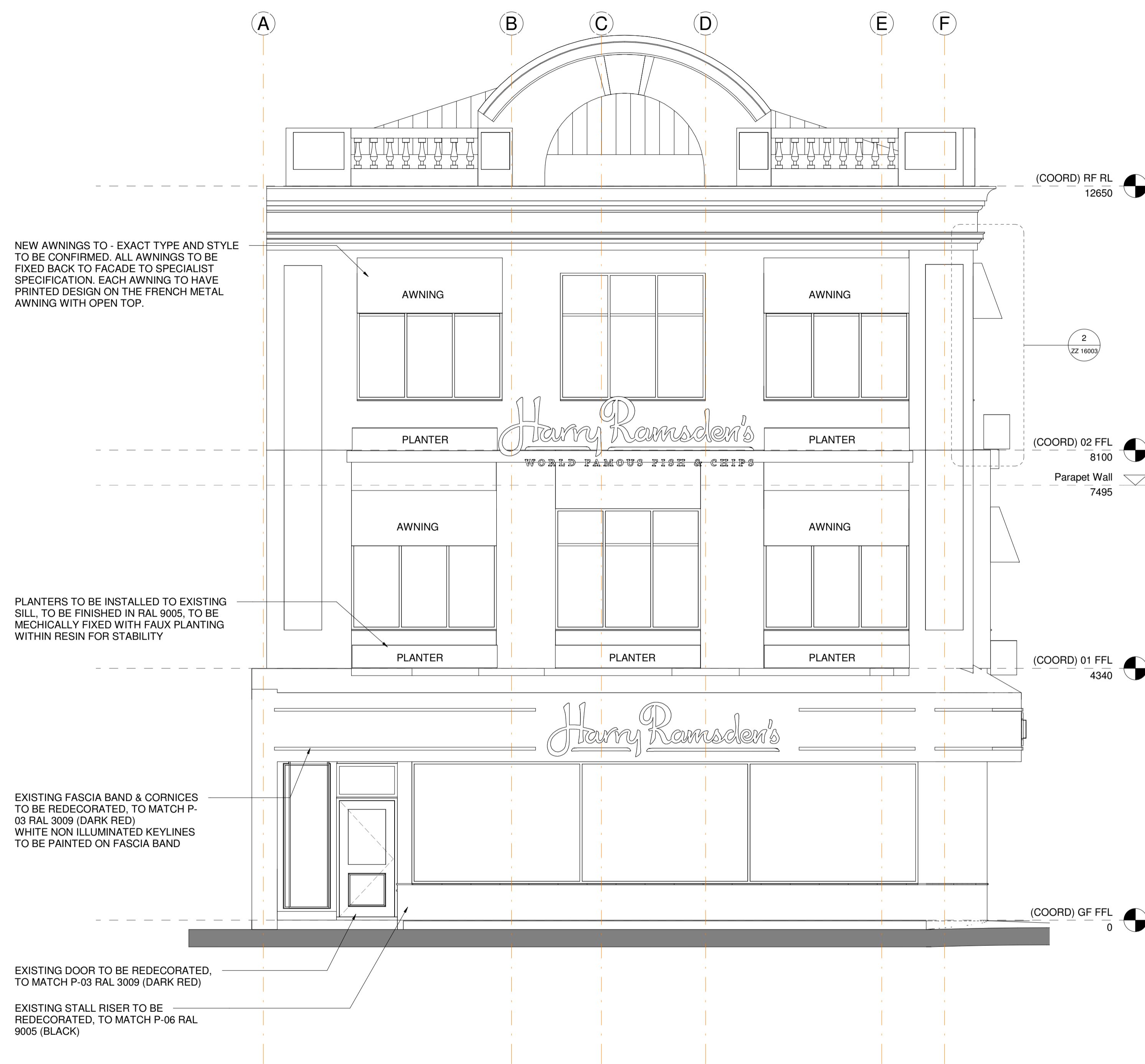


DO NOT SCALE FROM THIS DRAWING.
(DRAWINGS MAY BE SCALED FOR LOCAL AUTHORITY & PLANNING PURPOSES ONLY)
ALL DIMENSIONS TO BE CHECKED ON SITE.
COPYRIGHT PROTECTED.

INFORMATION
ISSUED FOR

PLANNING
ISSUED FOR



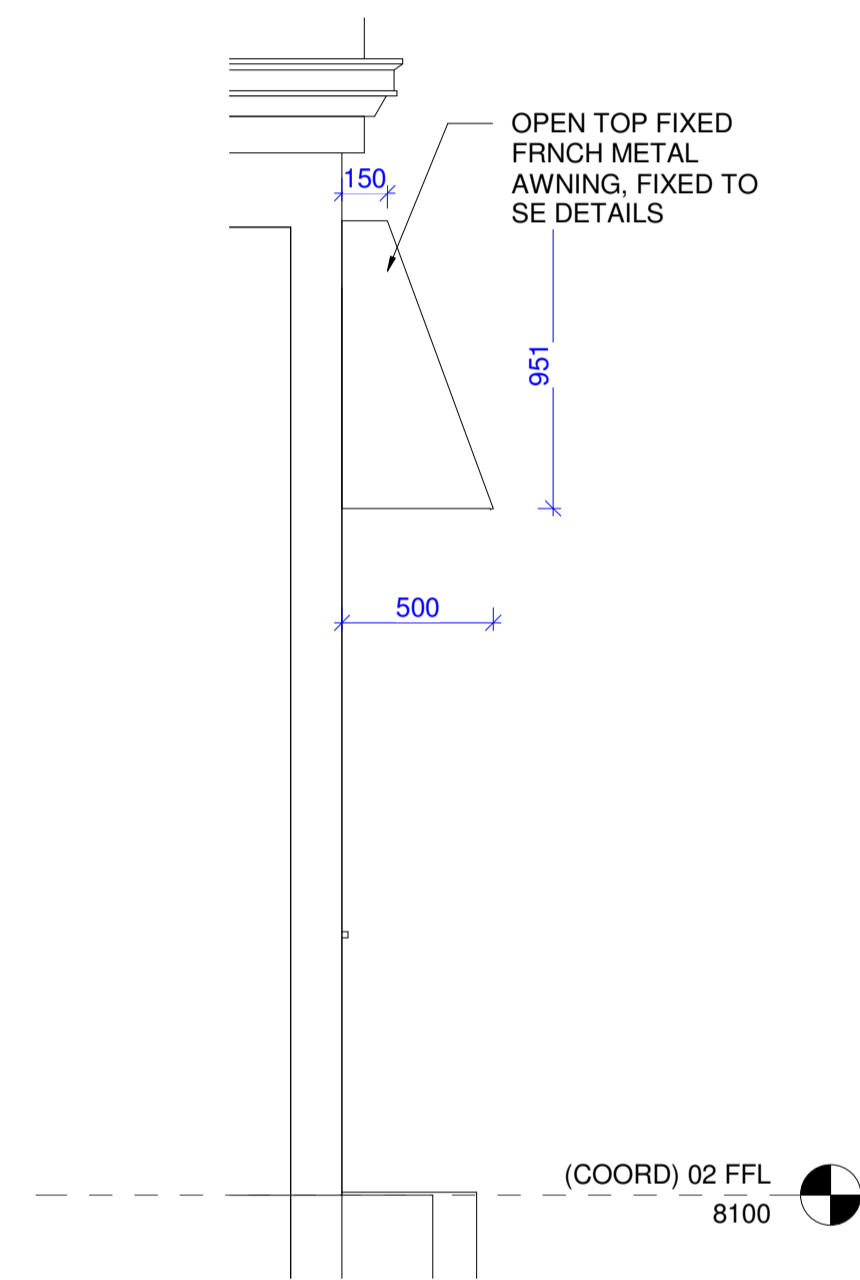
NEW AWNINGS TO - EXACT TYPE AND STYLE TO BE CONFIRMED. ALL AWNINGS TO BE FIXED BACK TO FACADE TO SPECIALIST SPECIFICATION. EACH AWNING TO HAVE PRINTED DESIGN ON THE FRENCH METAL AWNING WITH OPEN TOP.

PLANTERS TO BE INSTALLED TO EXISTING SILL, TO BE FINISHED IN RAL 9005, TO BE MECHICALLY FIXED WITH FAUX PLANTING WITHIN RESIN FOR STABILITY

EXISTING FASCIA BAND & CORNICES TO BE REDECORATED, TO MATCH P-03 RAL 3009 (DARK RED) WHITE NON ILLUMINATED KEYLINES TO BE PAINTED ON FASCIA BAND

EXISTING DOOR TO BE REDECORATED, TO MATCH P-03 RAL 3009 (DARK RED)

EXISTING STALL RISER TO BE REDECORATED, TO MATCH P-06 RAL 9005 (BLACK)



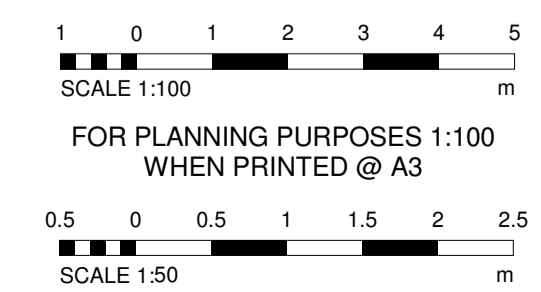
1 (16) EAST EXTERNAL ELEVATION (FP) - Proposed Elevation
1 : 50 @

2 (16) EAST EXTERNAL ELEVATION (FP) - Callout 1 - Proposed Elevation
1 : 25 @

NOTE WINDOW FRAMEWORK TO BE DECORATED IN DARK RED P-03 TO MATCH RAL 3009

ENTIRE FACADE TO BE MADE GOOD WHERE APPROPRIATE AND PAINTED P-05 PURE BRILLIANT WHITE WEATHERSHIELD EXTERIOR SATIN PAINT.

ALL ILLUMINATED SIGNAGE TO FALL WITHIN THE GUIDELINE LEVELS FOR ENGLAND AS STATED IN THE PROFESSIONAL LIGHTING GUIDE 05; (THE BRIGHTNESS OF ILLUMINATED ADVERTISEMENTS (2015) - INSTITUTE OF LIGHTING PROFESSIONALS), OF 600 CANDELAS PER M2 WITH LUMENS PER MODULE IS 117.6 LINEAR M/ 500 CANDELAS M2.



1:00	26.03.21	ISSUED FOR PLANNING	AT/-
Rev	Date	Revision Description	Drw/Chk
PROJECT			
HARRY RAMSDEN 1-4 MARINE PARADE BRIGHTON BN2 1TA			
DRAWING			
FP - PROPOSED EAST & WEST ELEVATION			
IDL: ARCHITECTURE			
LONDON 17 Black Friars Lane St Paul's, London EC4V 6EP +44 (0)20 7248 1234	EDINBURGH 55, Oyle Crescent City of Edinburgh EH12 9EG +44 (0)13 1334 5705	PRAGUE The Forum Prague 1 Wenceslas Sq 19 Prague +42 (0)72 0279 588	
idl.eu.com Registered in England No.7111665 FIBA Accreditation No.20014346			
PROJECT No	SCALE	DATE	DRAWN CHECKED
2213	As indicated @A1	03/22/21	AT -
FILE NAME			(STATUS-REV)
2213-IDL-NA-ZZ-DR-A-16003[2-00]			