

All dimensions to be checked on site.

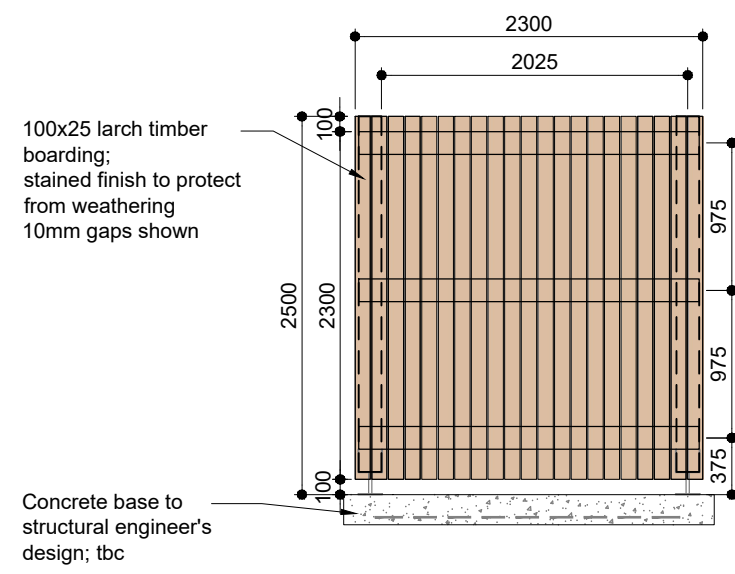
Figured dimensions to be read in preference to scaled.

BCA accepts no responsibility for any unauthorised amendments to the drawing and does not permit unauthorised copying of the drawing.

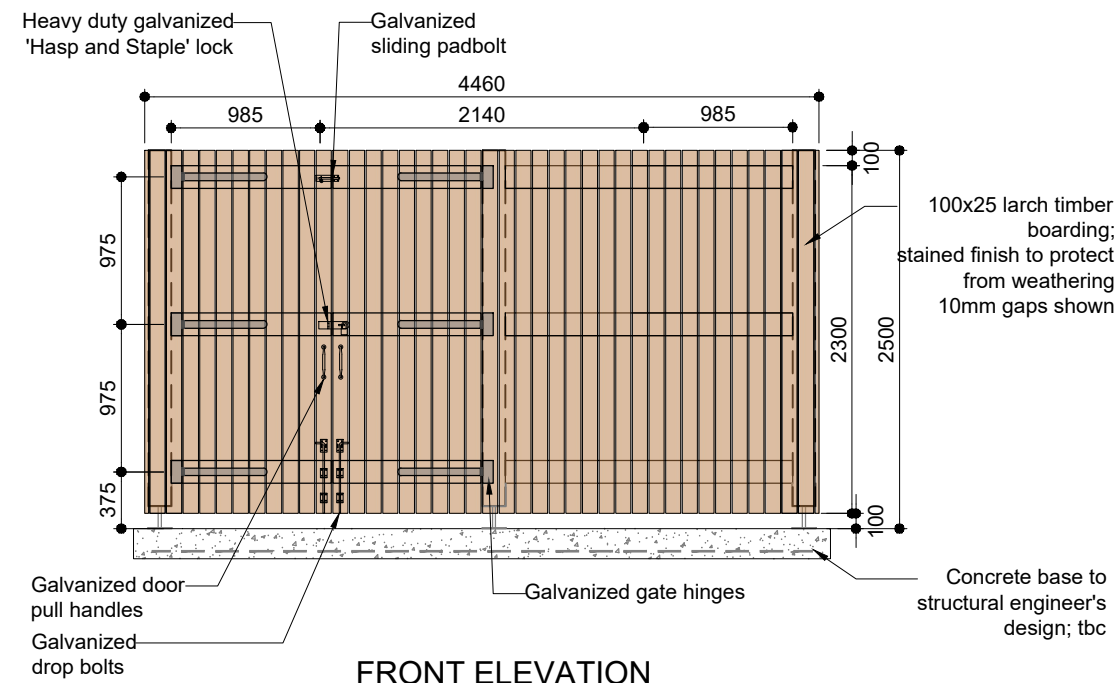
This drawing is copyright and remains the property of BCA unless otherwise agreed.

Revisions			
Date	Rev	Description	Init.
01.03.21	P1	Issued to client for comment/approval	JKC
17.03.21	P2	Sizes amended to suit Harmony's proposal	JKC

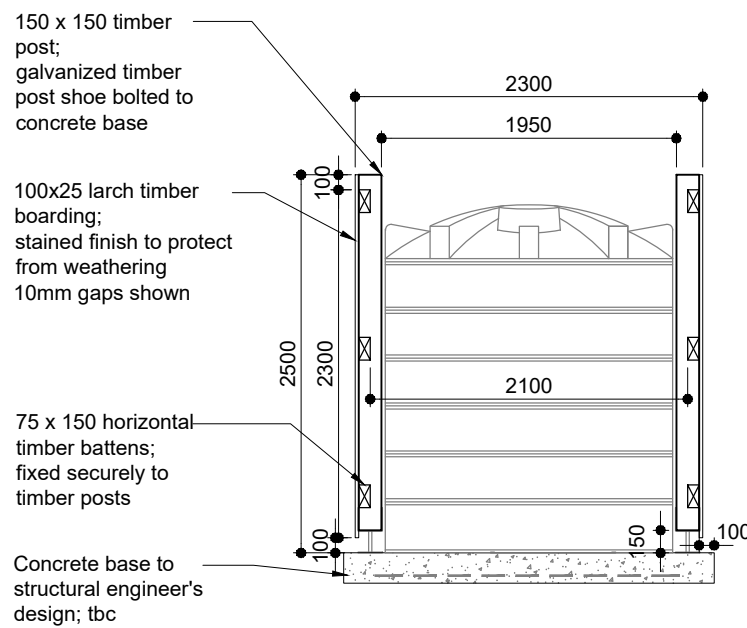
Notes



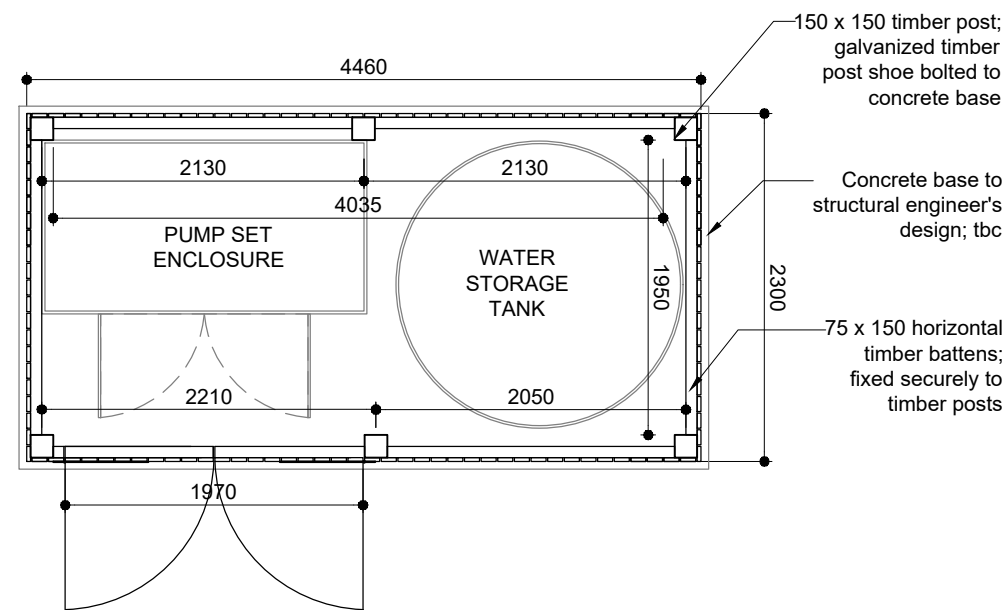
SIDE ELEVATION



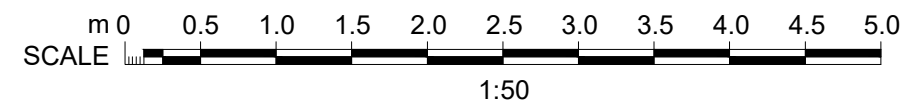
FRONT ELEVATION



SECTION



PLAN



Drawing Status  
**PLANNING**



**BROCK CARMICHAEL**

T +44 (0)151 242 6222 F +44 (0)151 236 4467  
E office@brockcarmichael.co.uk www.brockcarmichael.co.uk  
19 Old Hall Street, Liverpool, L3 9JQ

Client  
Pettit Singleton Associates

Job Title  
Seabrook Court - Sprinkler Installation

Drawing Title  
Proposed pump and water storage tank enclosure

Drawing Reference 20006c - BCA - XX - XX - DR - A - 90001	Status S4	Revision P2
Scale @ A3 1:50	Drawn JKC	Checked SR
Date Feb '21	BCA Project Ref 20.006c	