

AGRICULTURAL STORAGE

CARTERSFIELD LANE FARM.

CARTERSFIELD LANE

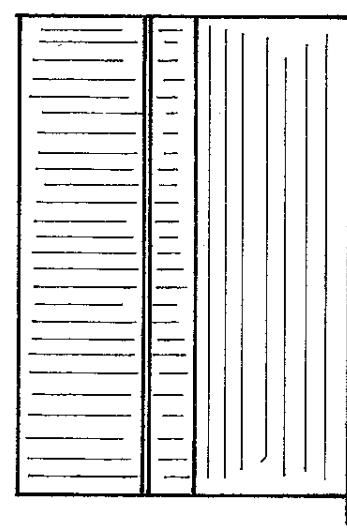
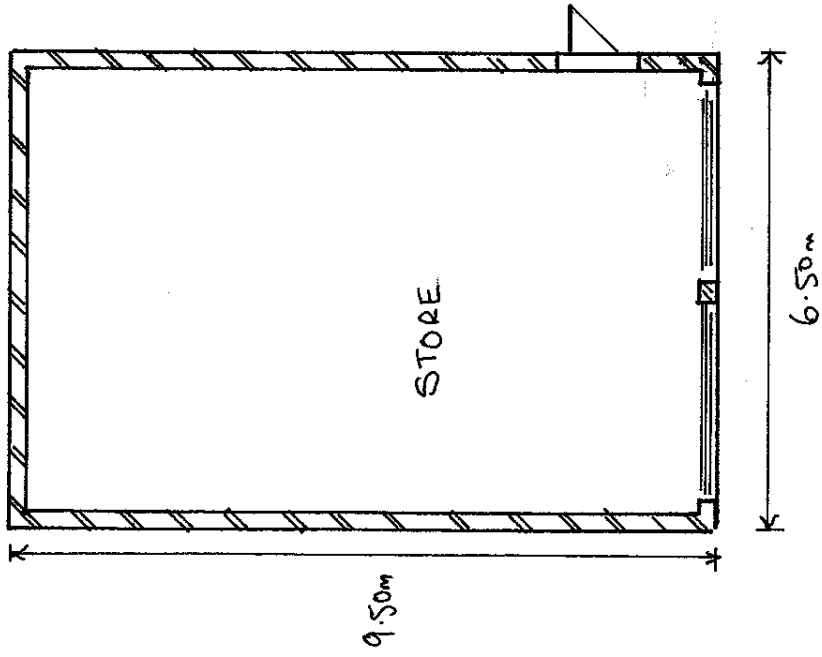
STONALL

WS9 9EQ

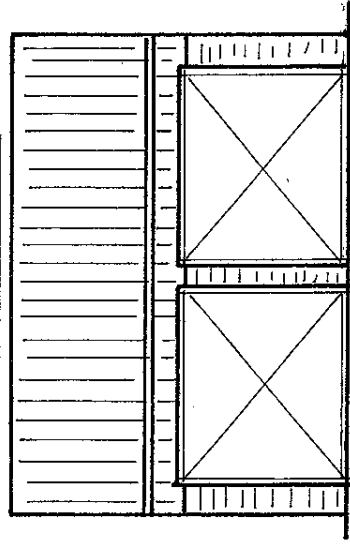
SCALE : 1:100 @ A3

CLIENT : MR. A. DONALD

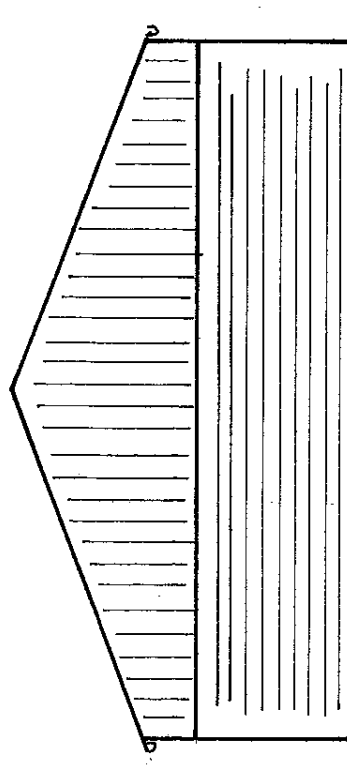
REF : TM/1



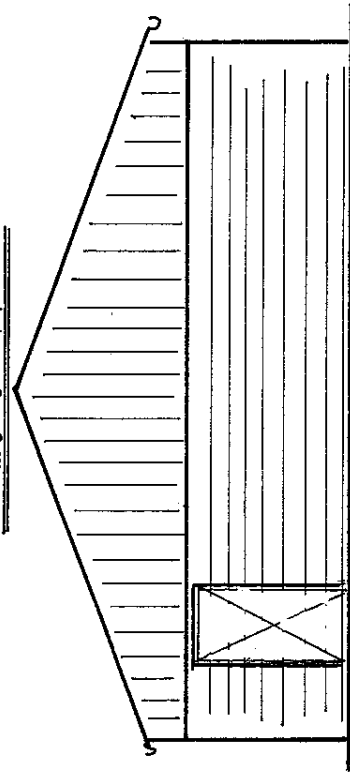
REAR ELEVATION



FRONT ELEVATION



SIDE ELEVATION



SIDE ELEVATION