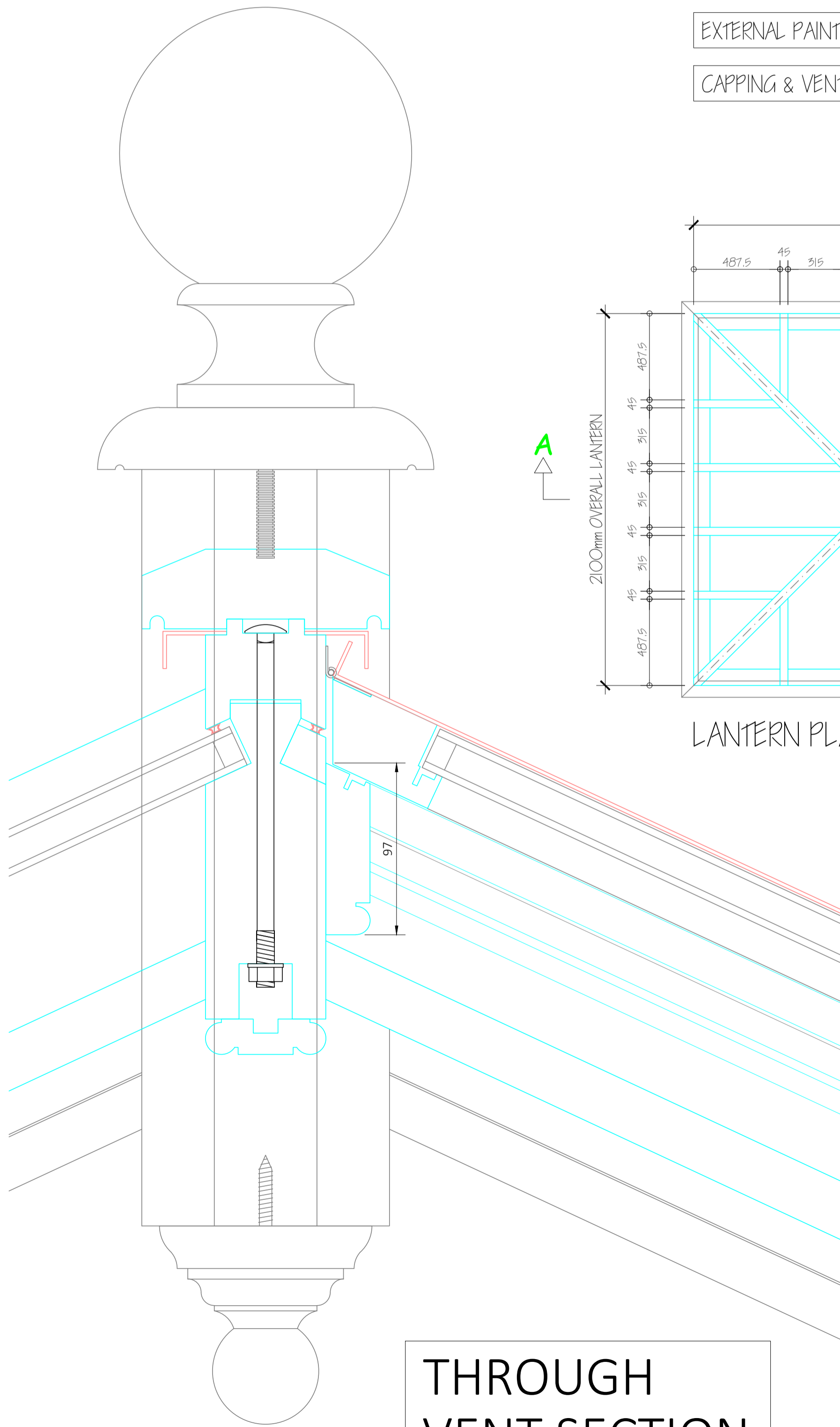
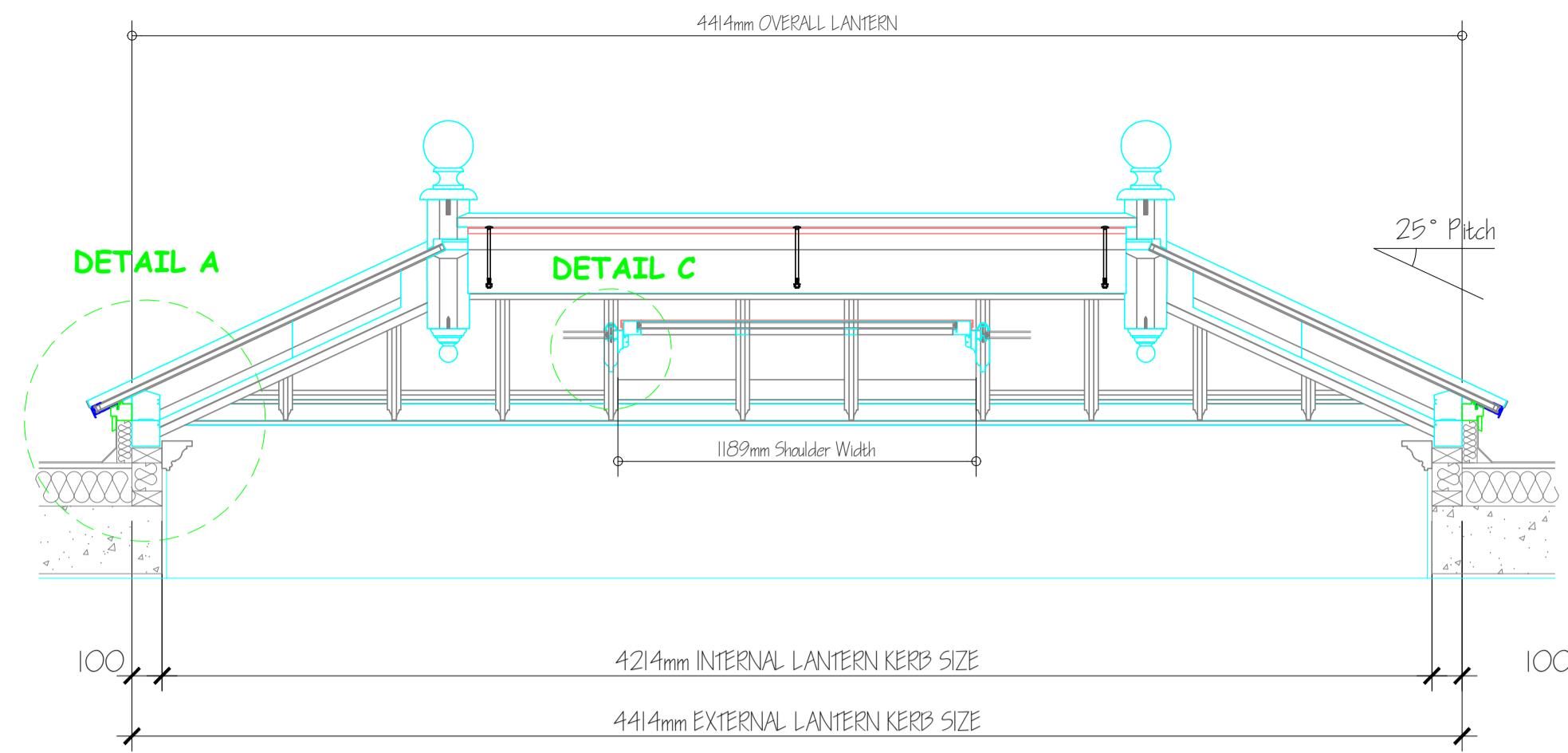


DETAIL D RIDGE SECTION

Scale 1:2



THROUGH VENT SECTION



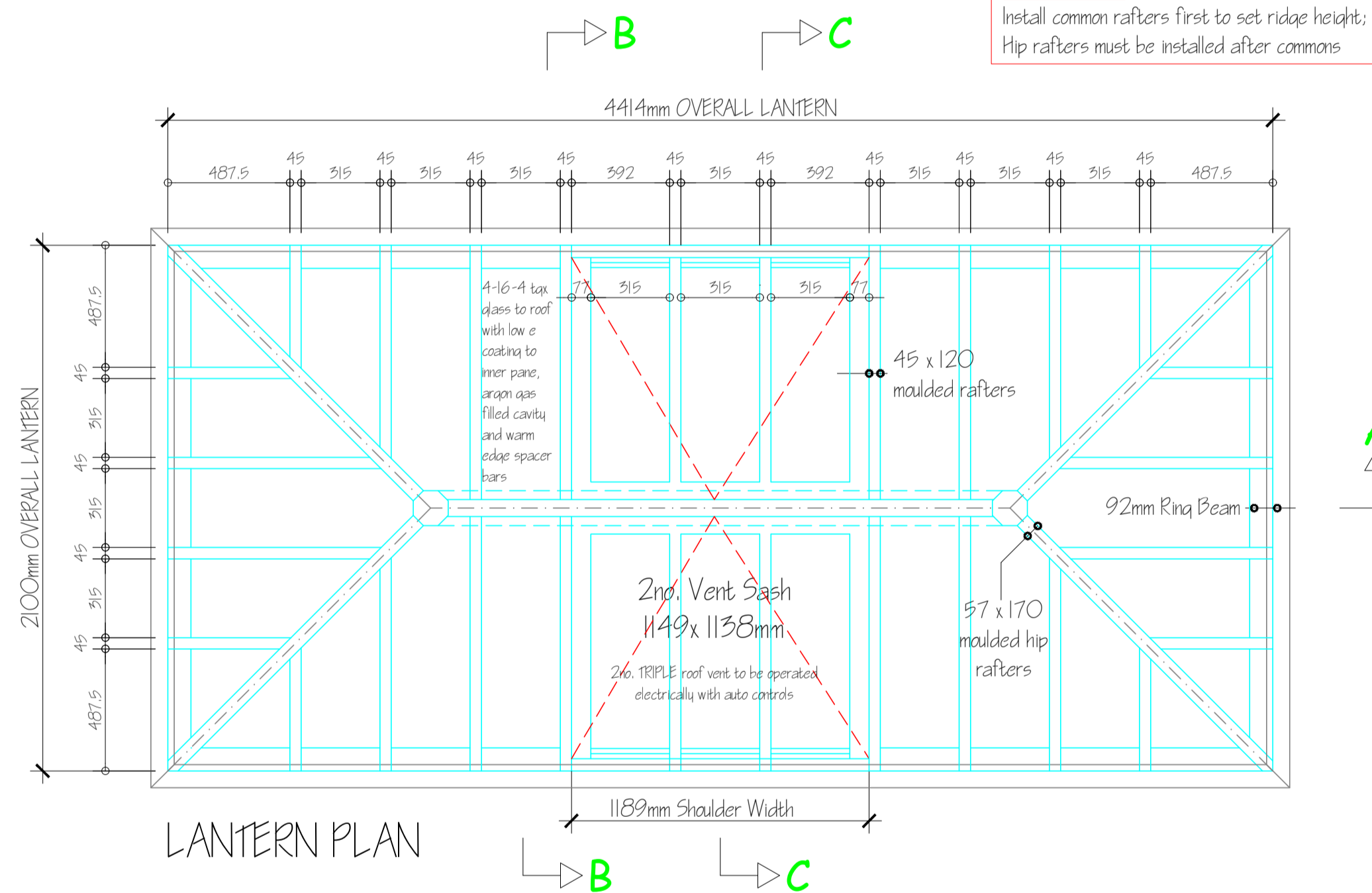
CROSS - SECTION AA

INTERNAL PAINT COLOUR:	LIPTON WHITE
EXTERNAL PAINT COLOUR:	WESTBURY GREY (RAL 7015)
CAPPING & VENT KIT COLOUR:	GREY (RAL 7015)

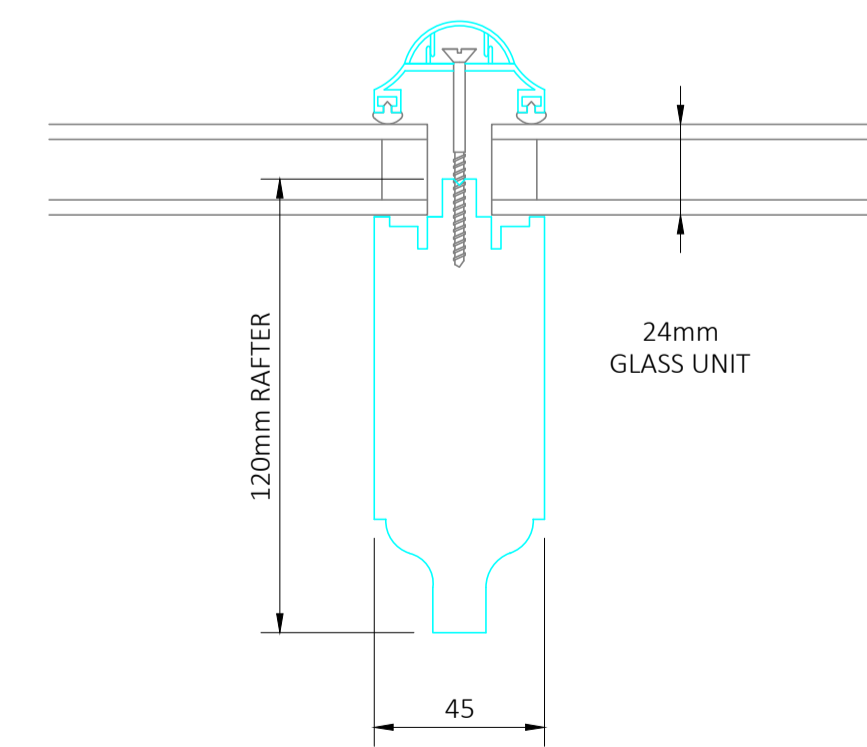
Electric opener wire to be drilled through vent cross rafter below bottom rail of sash and cable runs between glass units under roof capping down to roof void

250V actuator has a 6 meter, 3 core cable pre-wired to unit. Westbury will run cable down through lantern into roof void for final connection by Others

FITTERS NOTE:
Install common rafters first to set ridge height; Hip rafters must be installed after commons

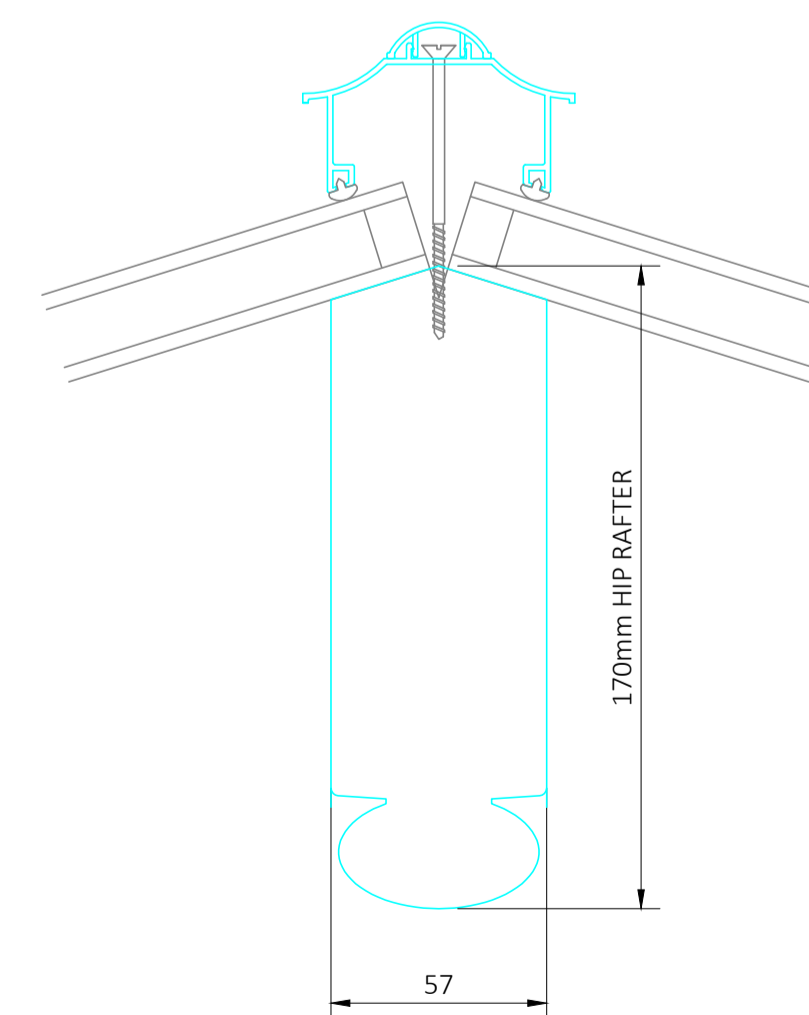


LANTERN PLAN



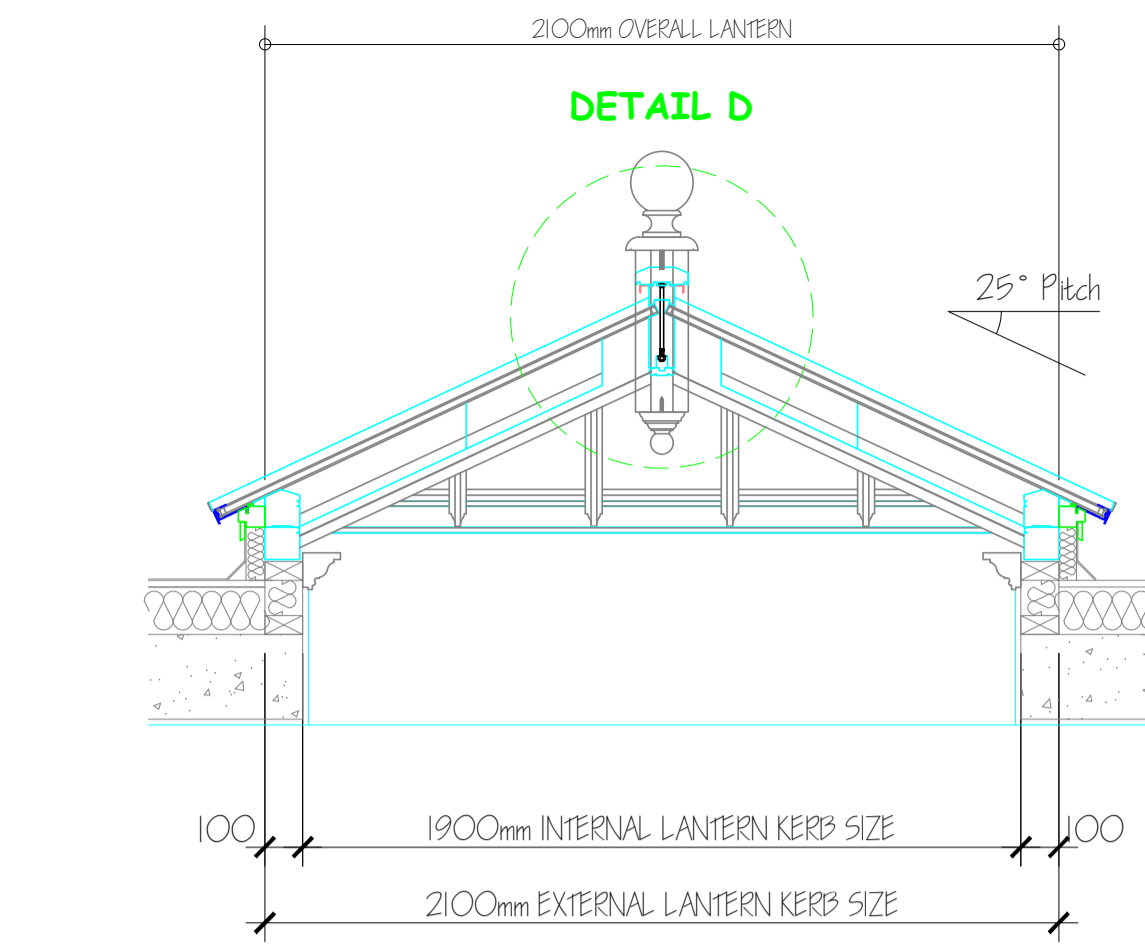
RAFTER SECTION

Scale 1:2

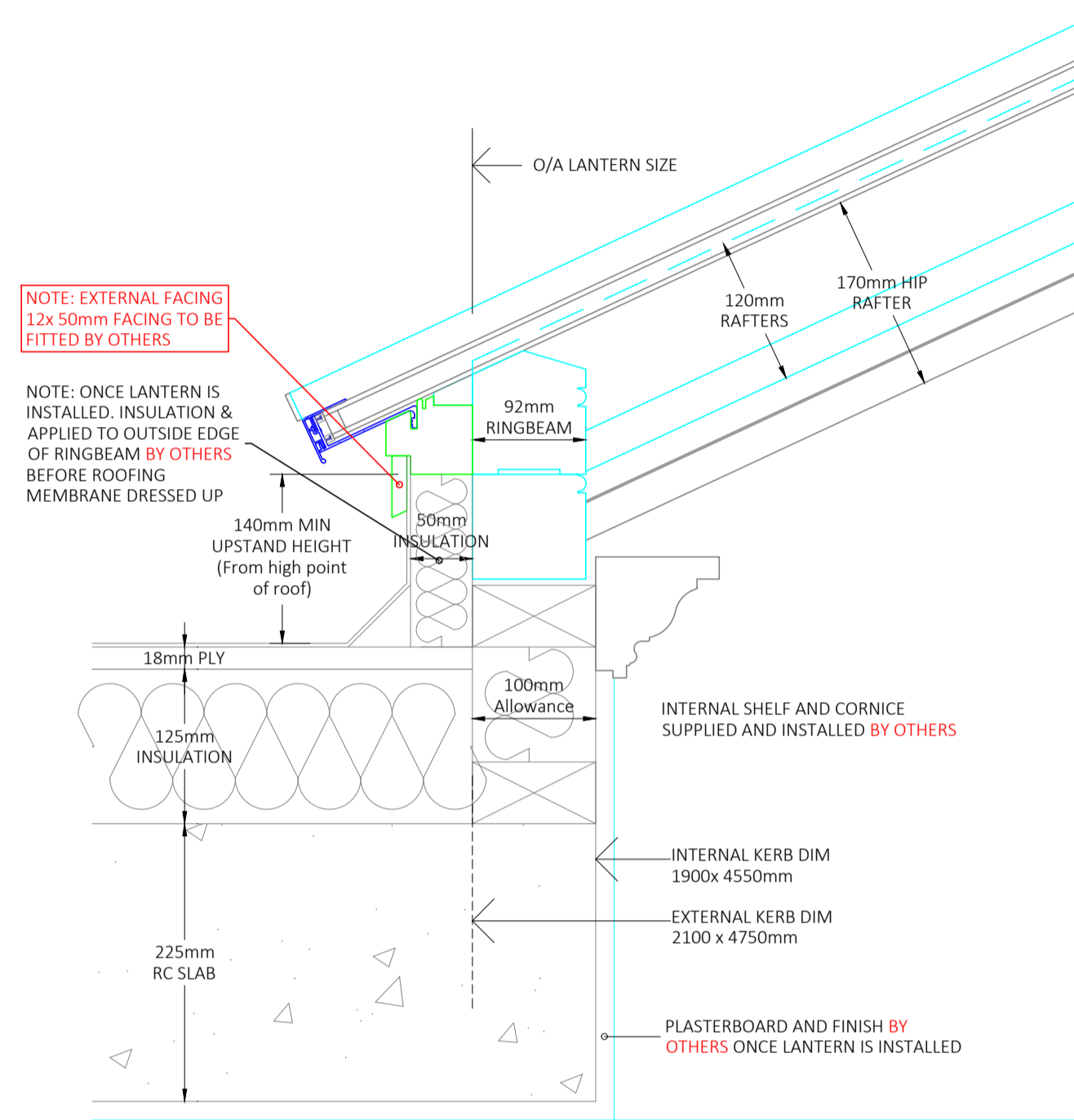


HIP RAFTER SECTION

Scale 1:2

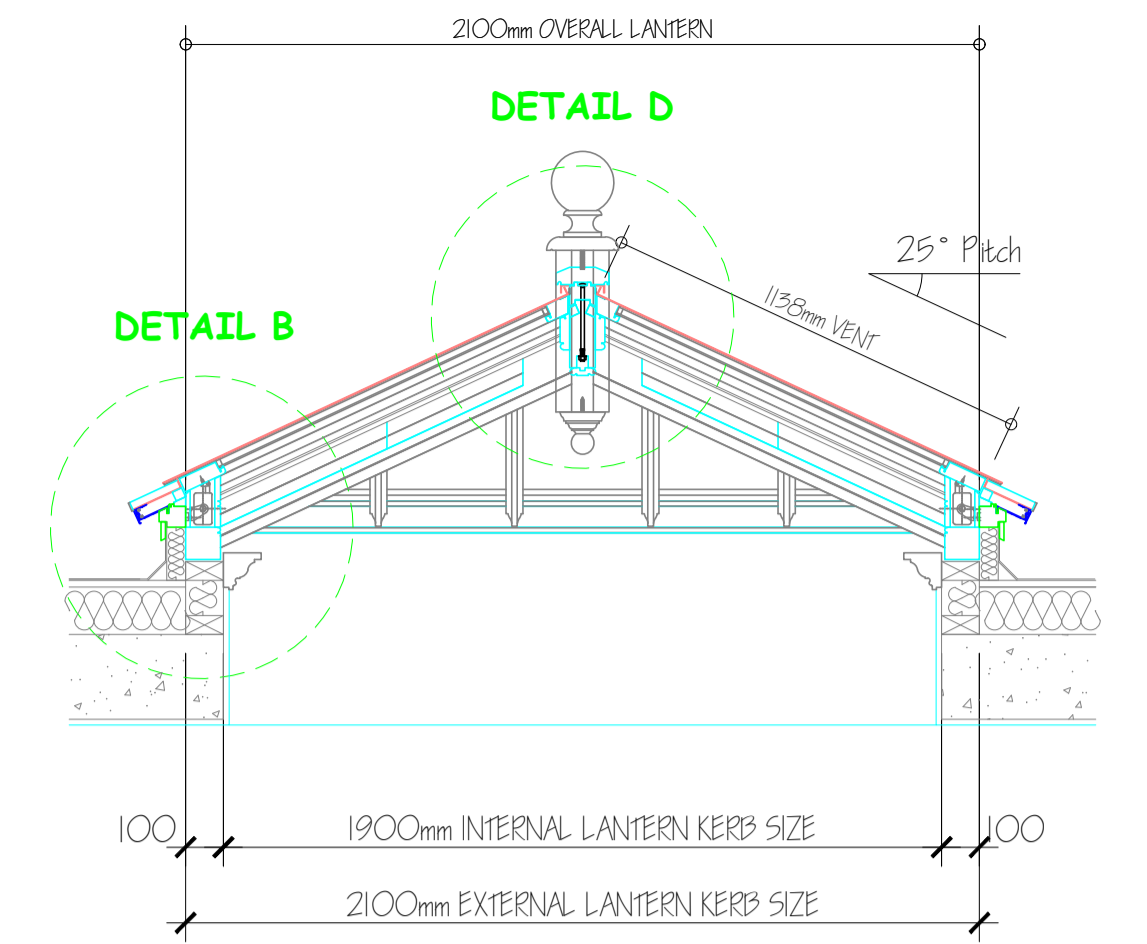


CROSS - SECTION BB

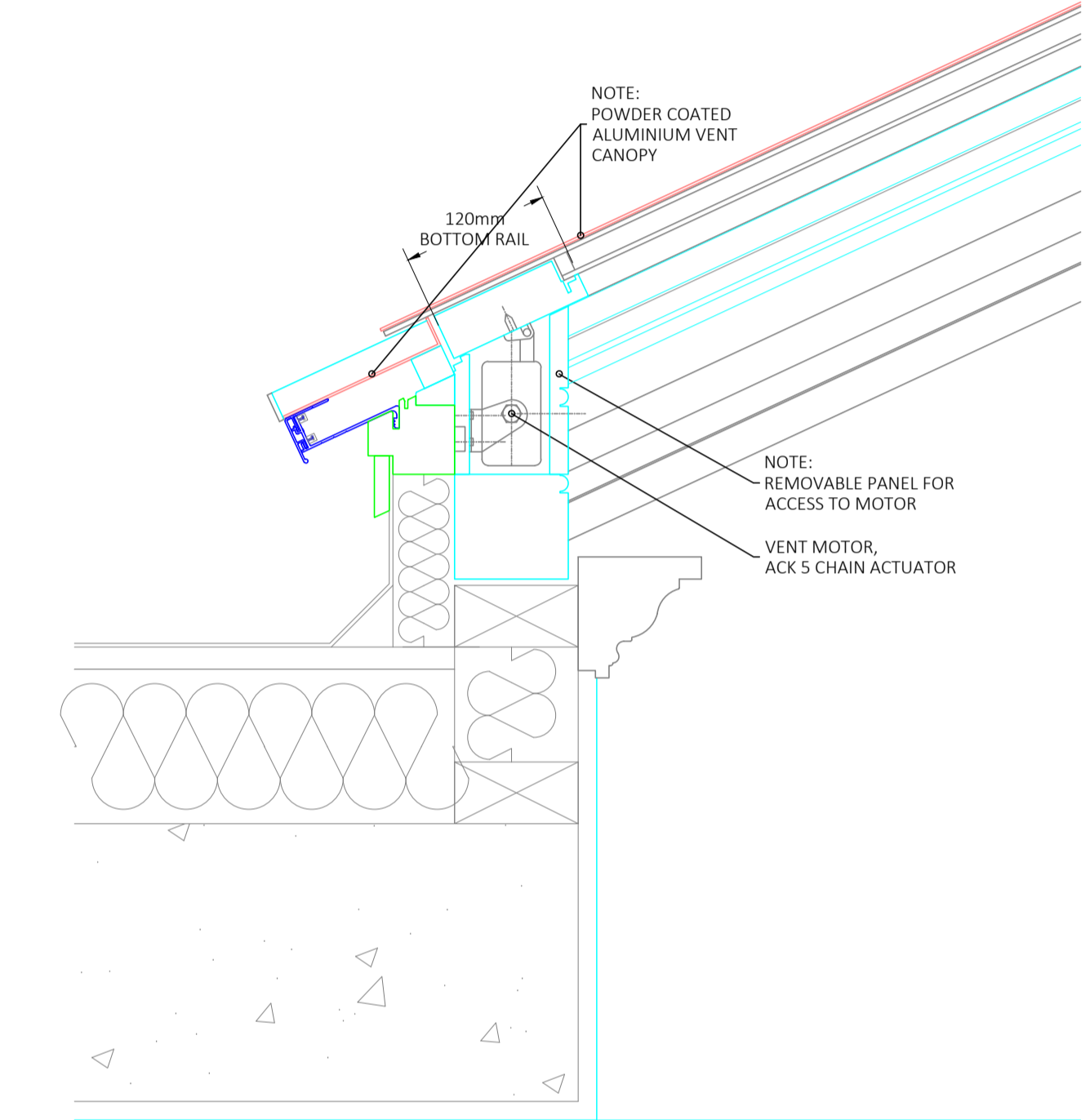


Detail A

THROUGH RINGBEAM
Scale 1:5

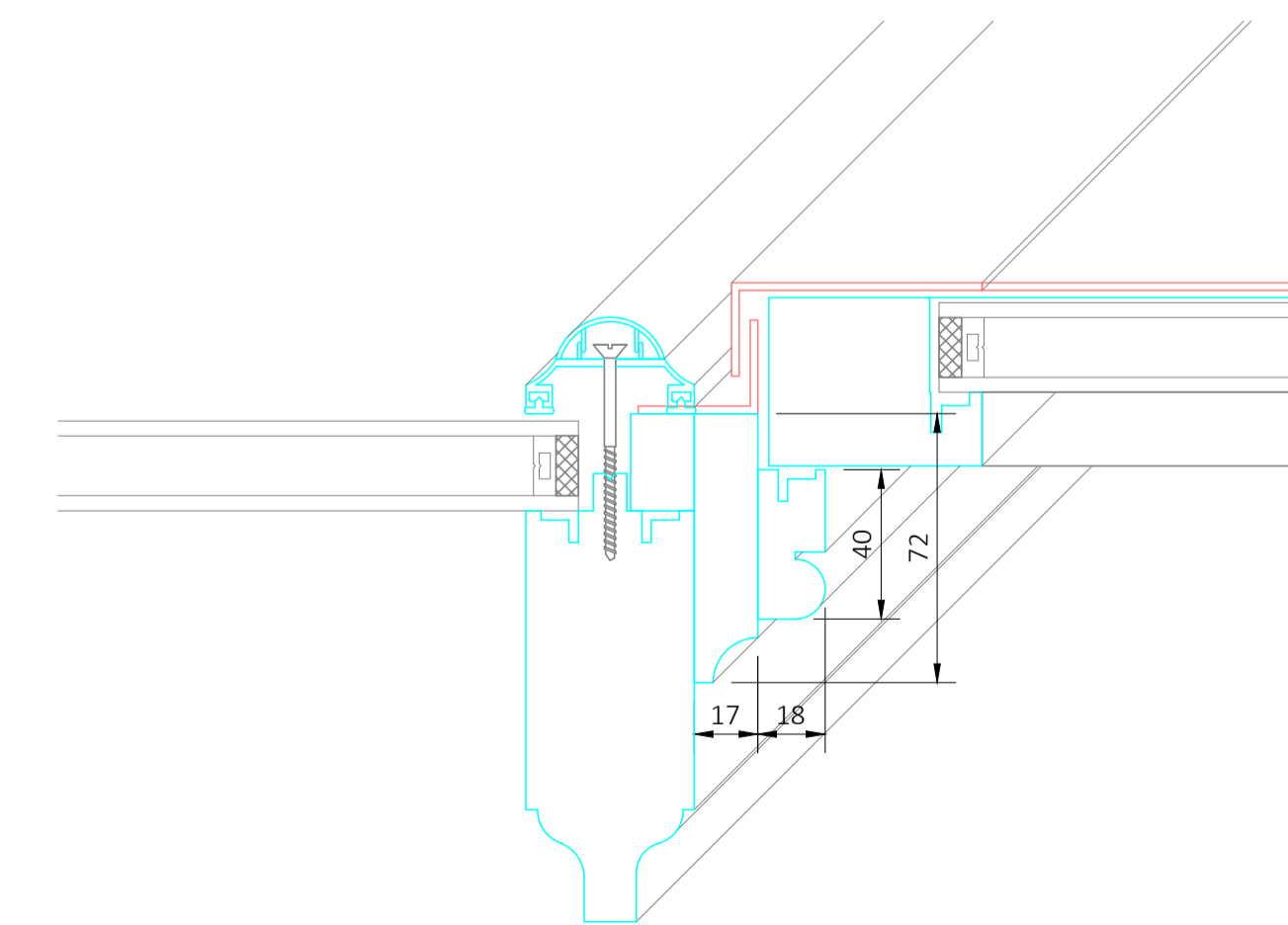


CROSS - SECTION CC



Detail B

THROUGH VENT
Scale 1:5



DETAIL C

Scale 1:2

Rev E	25.01.20	Lantern length reduced by 556mm	NRF
Rev D	15.01.20	Vent and common rafter spacing adjusted.	NRF
Rev C	15.01.20	Vent size adjusted to suit	NRF
Rev B	08.01.20	External upstand/ rafter facing material adjusted.	NRF
Rev A	22.12.20	Internal vent plant on mode amended.	NRF
		Detail D amended to show vent detail	NRF
		Ringbeam detail & vent adjusted to accommodate	NRF
		hidden vent motor.	NRF
		Overall Lantern Size increased to suit, adjusted kerb	NRF
		details. Detail C & D added. Minor amendments	NRF
		following Cirva emailed dated 16.12.20	NRF

Client KIRK & RANDALL Ltd	
Project Sacombe House, Sacombe Park, Nr Ware, Herts, SG12 0JF	
Drawing Lantern Drawing	
Drawing No. 1575-01	Revision Rev E
Scale 1:20 @ A1	Drawn by NRF
Date 11th December 2020	Checked by ***
WESTBURY GARDEN ROOMS	
© COPYRIGHT RESERVED 46-52 Cutlers Road, South Woodham Ferrers, Essex, CM3 5XJ. Email: nick@westburygardens.com Tel: 01245 326517	