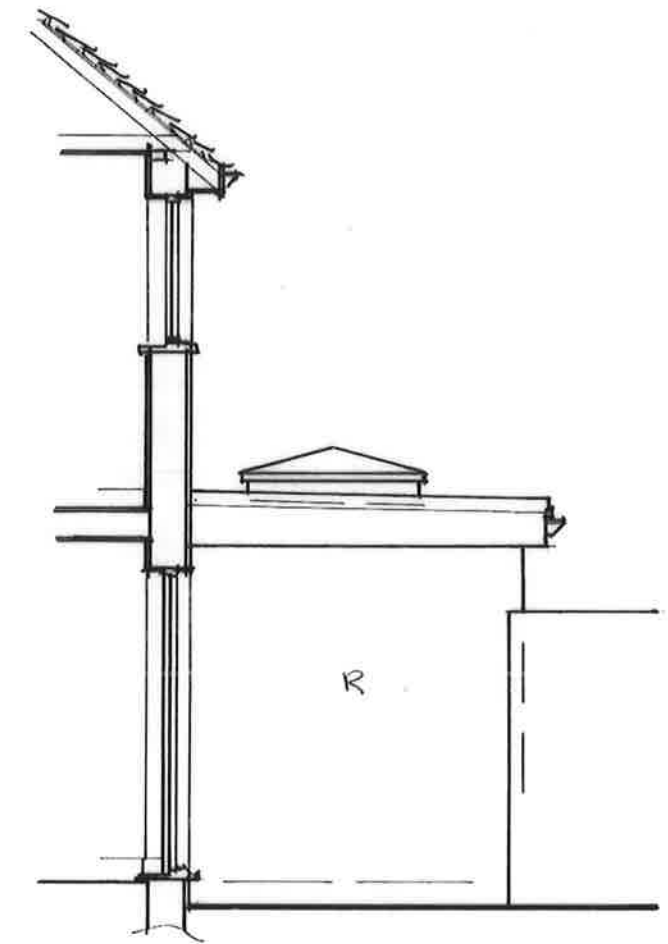


0 1 2 3 4 5 (1:50)



SIDE



FLANK

EXISTING ELEVATIONS 1:50  
Drg. No. PL:21:JAWS:EE2