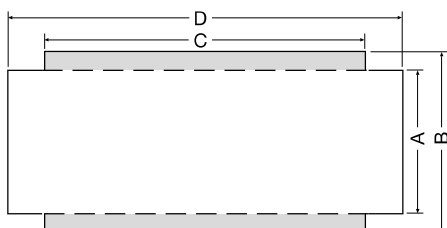
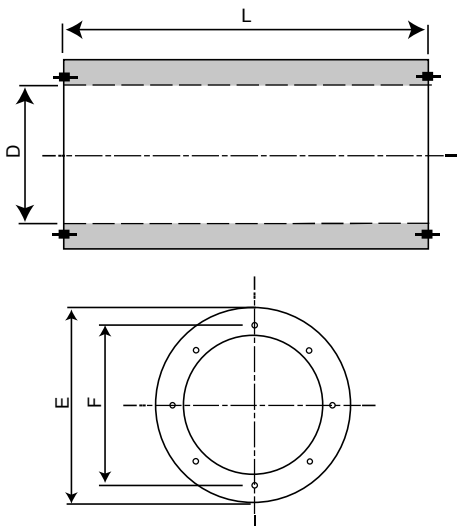


INSTALLATION ACCESSORIES

SIL ATTENUATORS



Infill protected by Melinex polyester film

Casing pre-galvanised sheet steel Z200 of thickness 0.8mm.
Mounting flange with threaded insert.

	Model	Trade Prices
L011100000699	SIL-CZ M 450-450 Bolted Melinex Lined Silencer	£361.97
L011100000700	SIL-CZ M 500-500 Bolted Melinex Lined Silencer	£421.57
L011100000701	SIL-CZ M 560-560 Bolted Melinex Lined Silencer	£491.43
L011100000702	SIL-CZ M 630-630 Bolted Melinex Lined Silencer	£551.43
L011100000703	SIL-CZ M 710-710 Bolted Melinex Lined Silencer	£682.86
L011100000704	SIL-CZ M 800-800 Bolted Melinex Lined Silencer	£828.57

TYPE SIL-CZ-M	D (mm)	E (mm)	F (mm)	Holes		L (mm)
				No.	Type	
SIL-CZ-M-450-450	450	600	500	8	M10	450
SIL-CZ-M-500-500	500	650	560	12	M10	500
SIL-CZ-M-560-560	560	710	620	12	M10	560
SIL-CZ-M-630-630	630	780	690	12	M10	630
SIL-CZ-M-710-710	710	860	770	16	M10	710
SIL-CZ-M-800-800	800	950	860	16	M10	800

SIL Spigotted Version

Sound attenuator to reduce noise transmission to ducting system.
In galvanized steel. Stainless steel version available on request.

	Model	Trade Prices
L011100000695	SIL-M 355-320 Spigotted Melinex Lined Silencer	£253.03
L011100000696	SIL -M 400-465 Spigotted Melinex Lined Silencer	£277.97
L011100000697	SIL- M 450-465 Spigotted Melinex Lined Silencer	£294.29
L011100000698	SIL-M 500-465 Spigotted Melinex Lined Silencer	£331.43

TYPE SIL-M	Dia. A (mm)	Dia. B (mm)	C (mm)	D (mm)
SIL-M-355-320	355	460	320	396
SIL-M-400-465	400	505	465	541
SIL-M-450-465	450	555	465	541
SIL-M-500-465	500	605	465	541