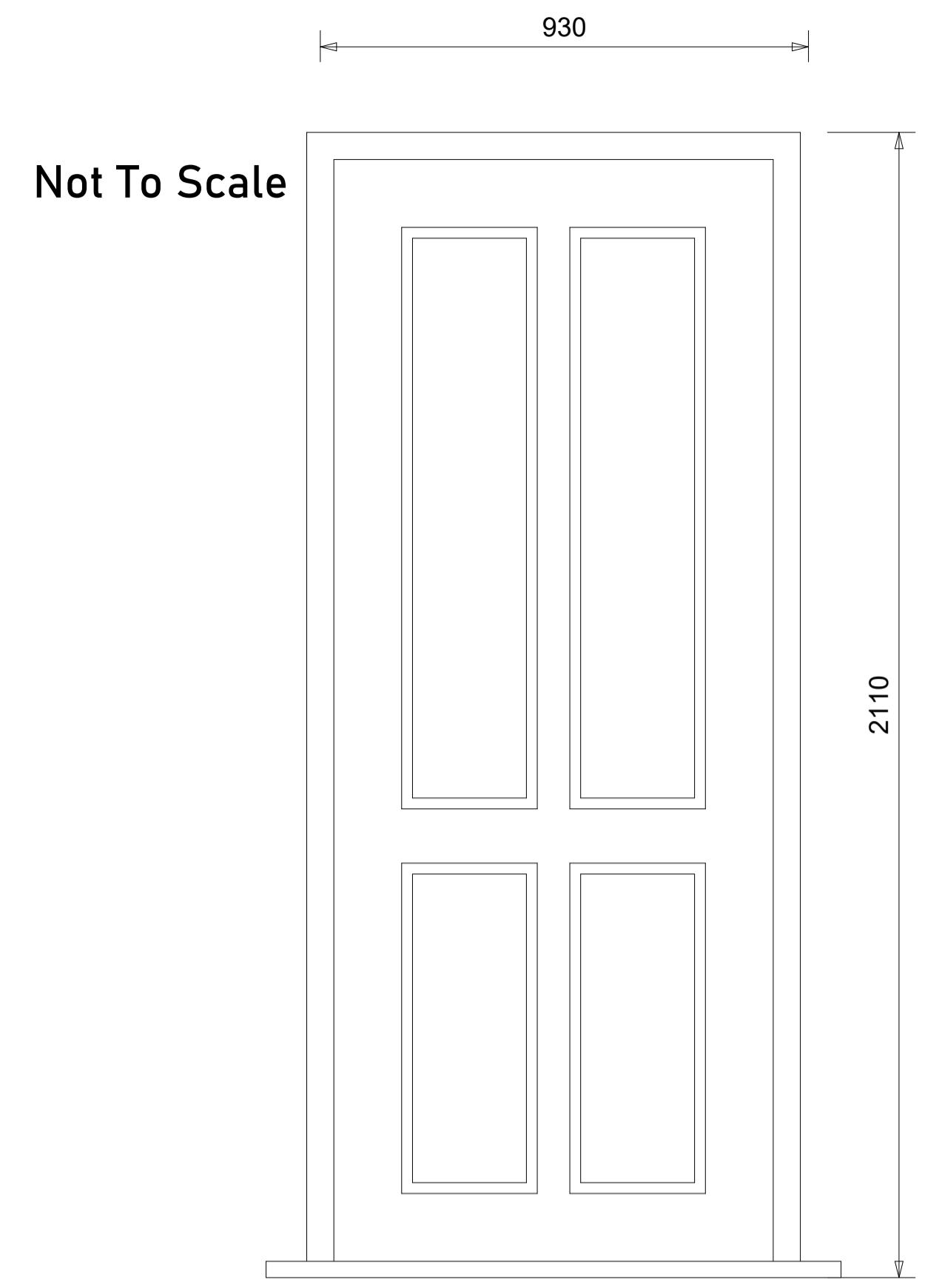


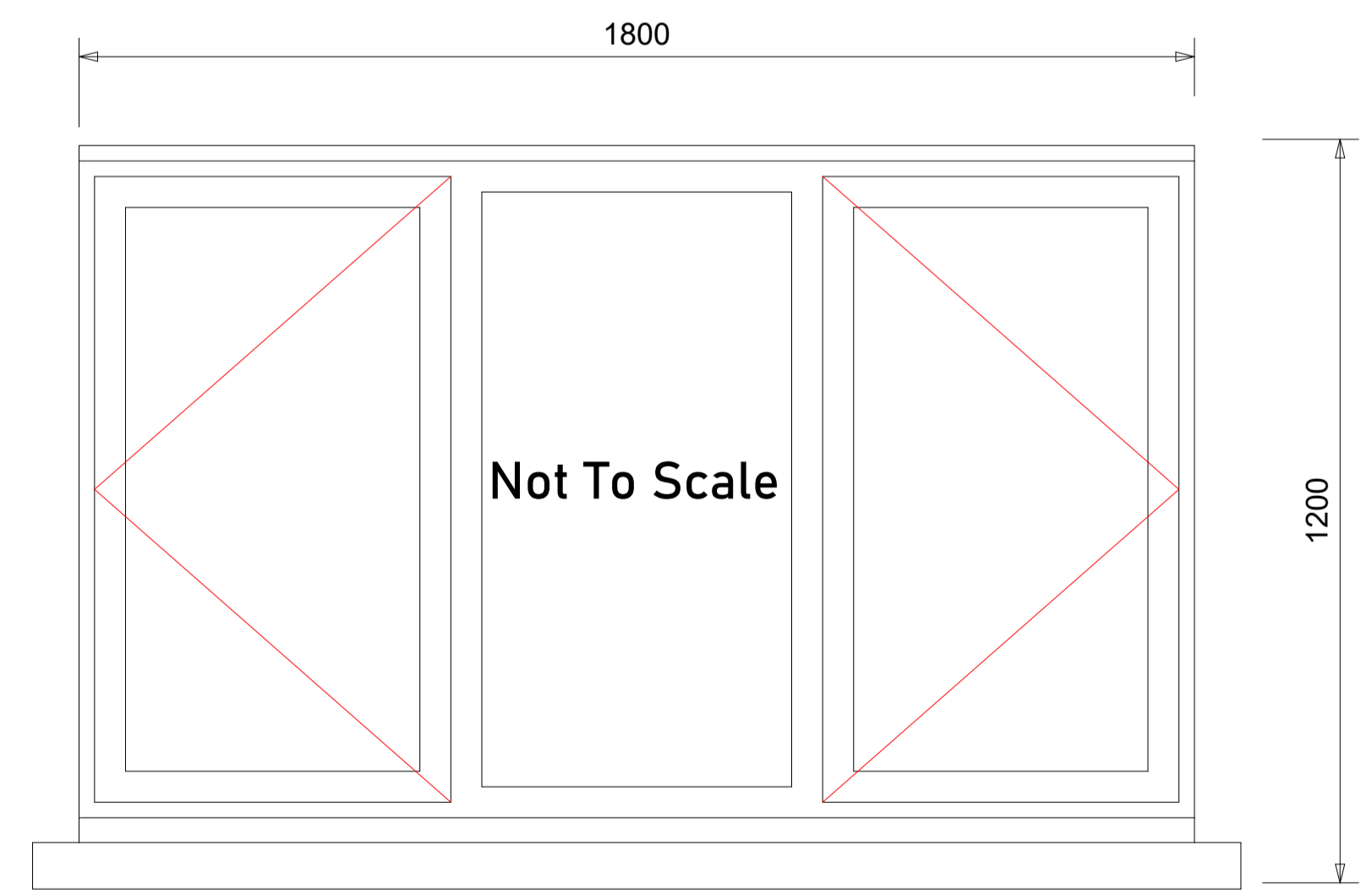
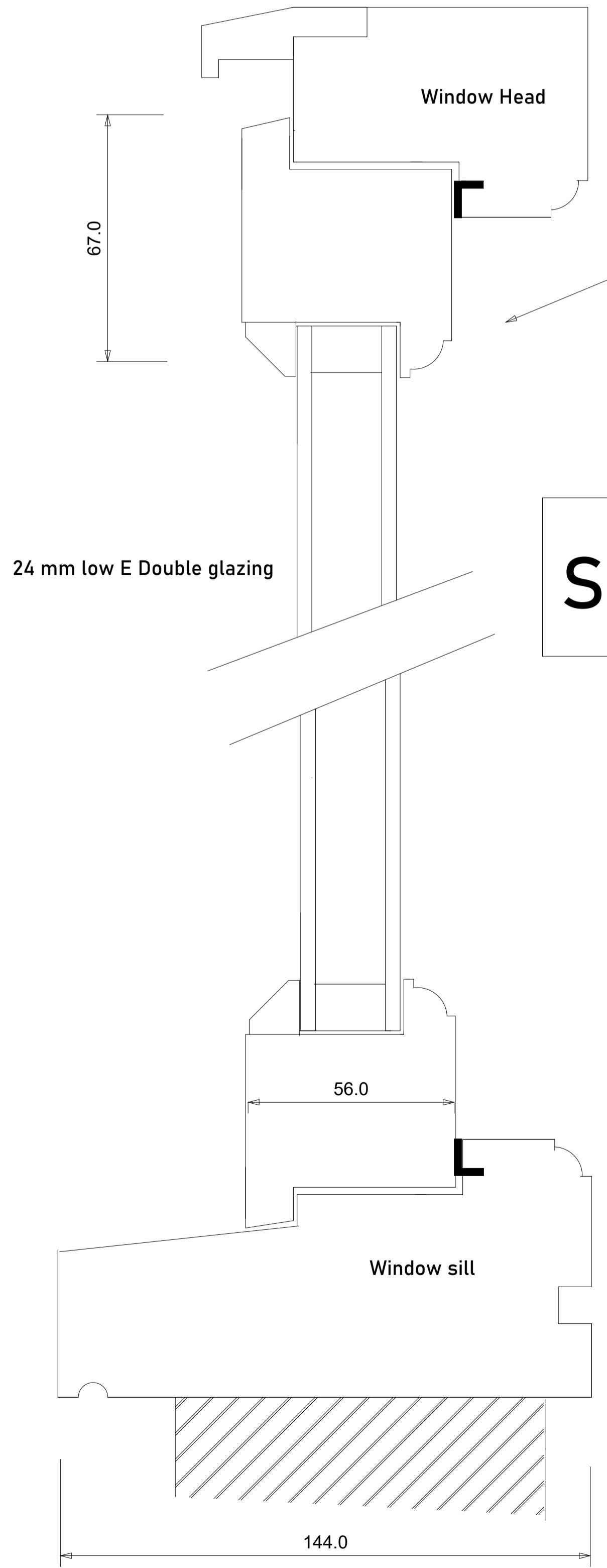
# TOP WINDOW ELEVATION



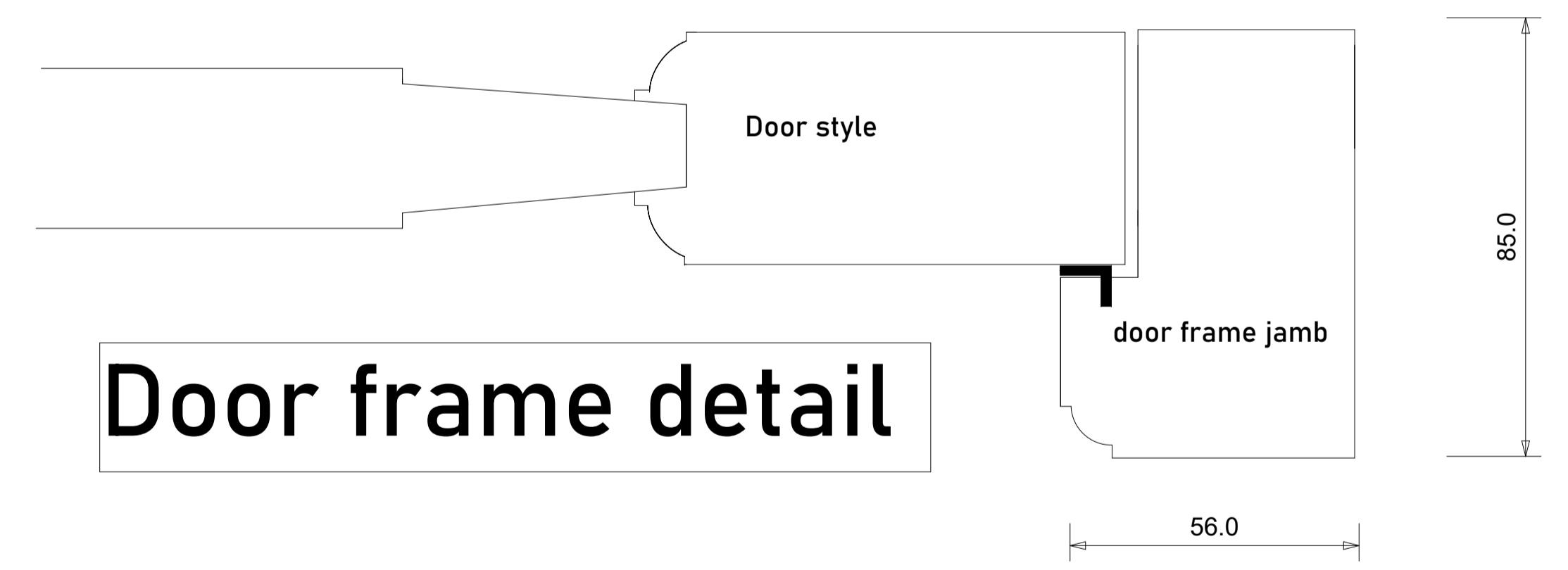
All opening casements will be fitted with friction stays for fire egress opening

Both new rear doors and frames will be a Standard half Glazed door with solid panel to bottom half

# SIDE ELEVATION



Style of proposed new rear windows



# Door frame detail

HIGH STREET WISBECH  
REAR WINDOW DETAIL

NORTH CAMBS  
DEVELOPMENTS

Scale :- 1.1