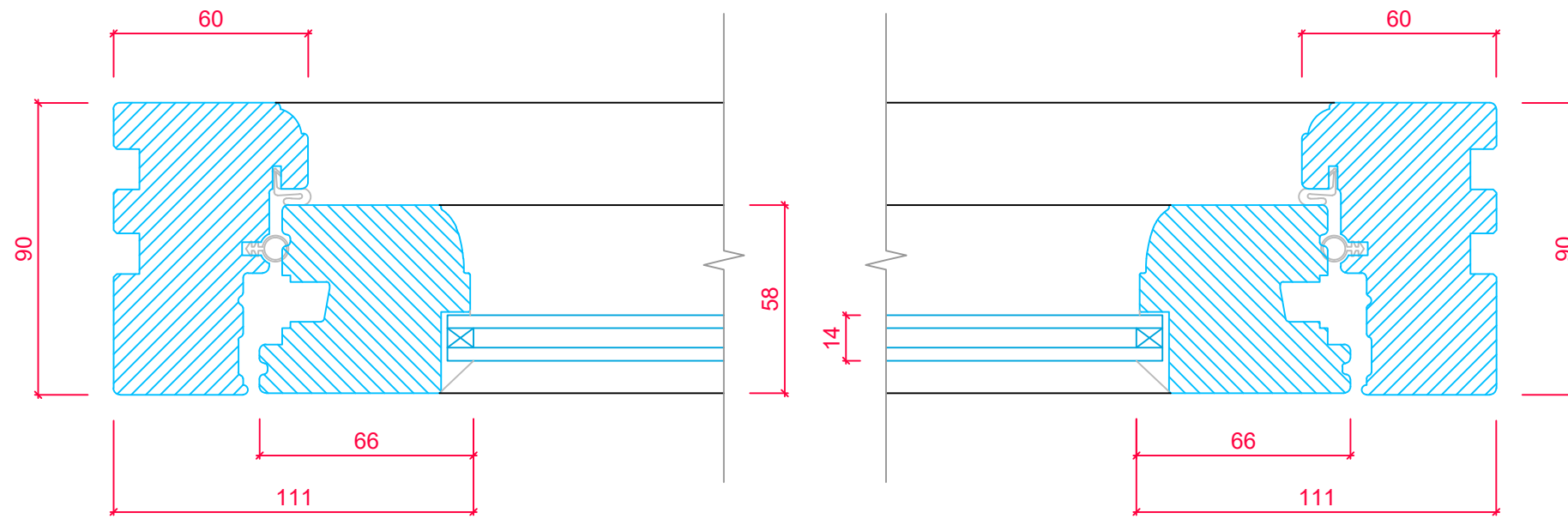
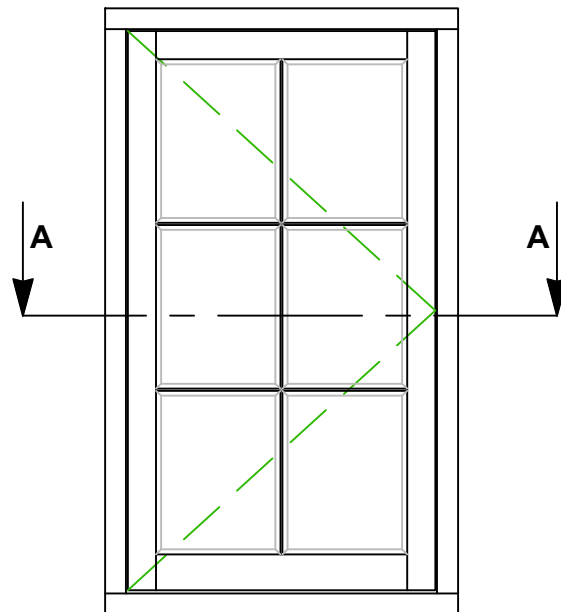





THIS DRAWING AND SPECIFICATIONS ARE THE PROPERTY OF THE PERFORMANCE WINDOW GROUP. THEY ARE ISSUED IN STRICT CONFIDENCE AND SHALL NOT BE REPRODUCED, COPIED OR USED AS THE BASIS FOR MANUFACTURING WITHOUT WRITTEN PERMISSION.



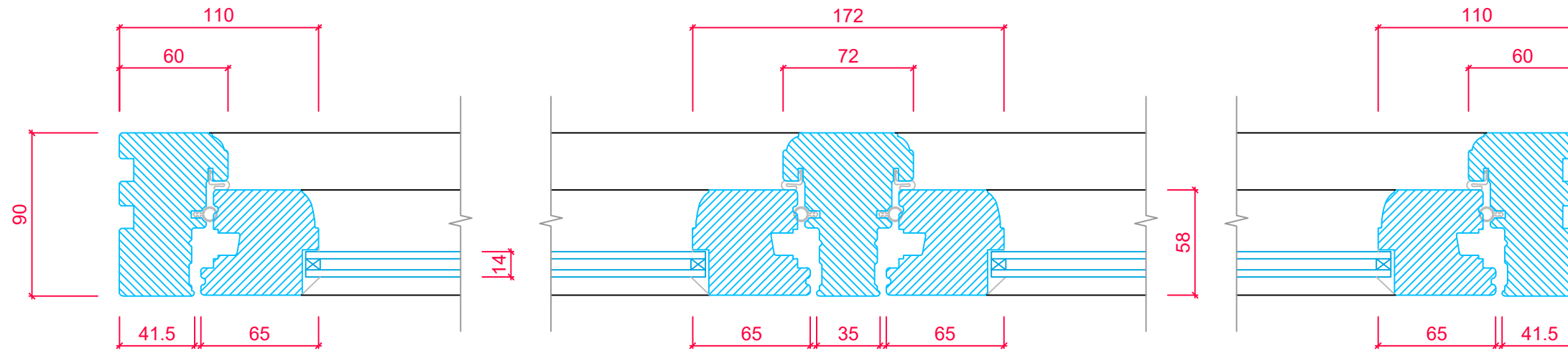
**CASEMENT CROSS SECTION 'A-A'**



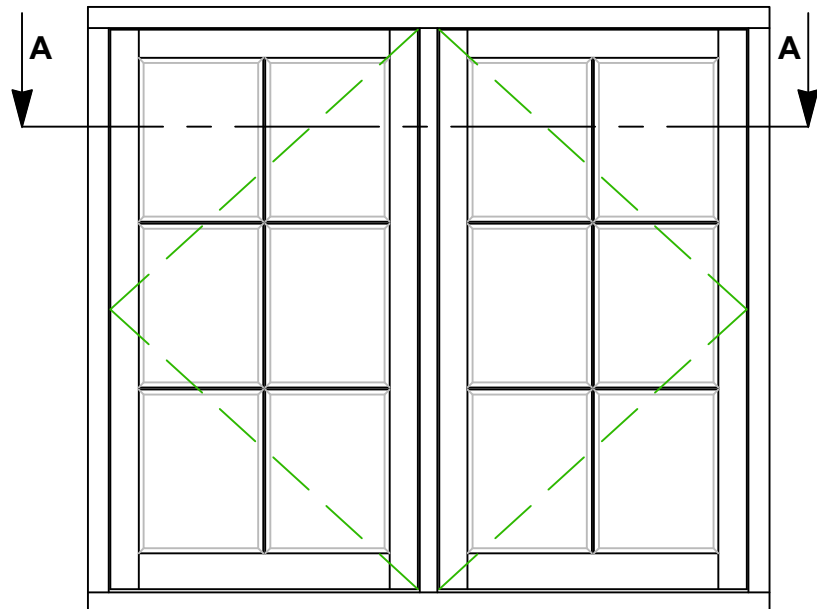
**TYPICAL CASEMENT LAYOUT**

 <p><b>TIMBER WINDOWS</b> EST. 2004</p>	<p><b>TOLERANCES</b> <i>UNLESS OTHERWISE SPECIFIED</i></p> <p>ALL DIMENSIONS IN MM          ALL LINEAR DIMENSIONS ±0.4          ALL ANGLE DIMENSIONS ±0.5°          BREAK ALL SHARP EDGES 0.5</p>	<p>PRODUCT RANGE: FLUSH CASEMENT (<i>Ovolo</i>) 14mm Narrow Cavity Unit</p>
	<p>TITLE HORIZONTAL SECTION DETAIL - JAMBS</p>	<p>TITLE</p>
<p>DRAWN BY: LH</p>	<p>DATE DRAWN: 01/08/2019</p>	<p>SCALE: 1:2, 1:15</p>

THIS DRAWING AND SPECIFICATIONS ARE THE PROPERTY OF THE PERFORMANCE WINDOW GROUP. THEY ARE ISSUED IN STRICT CONFIDENCE AND SHALL NOT BE REPRODUCED, COPIED OR USED AS THE BASIS FOR MANUFACTURING WITHOUT WRITTEN PERMISSION.



**CASEMENT CROSS SECTION 'A-A'**



**TYPICAL CASEMENT LAYOUT**



**TOLERANCES**  
*UNLESS OTHERWISE SPECIFIED*

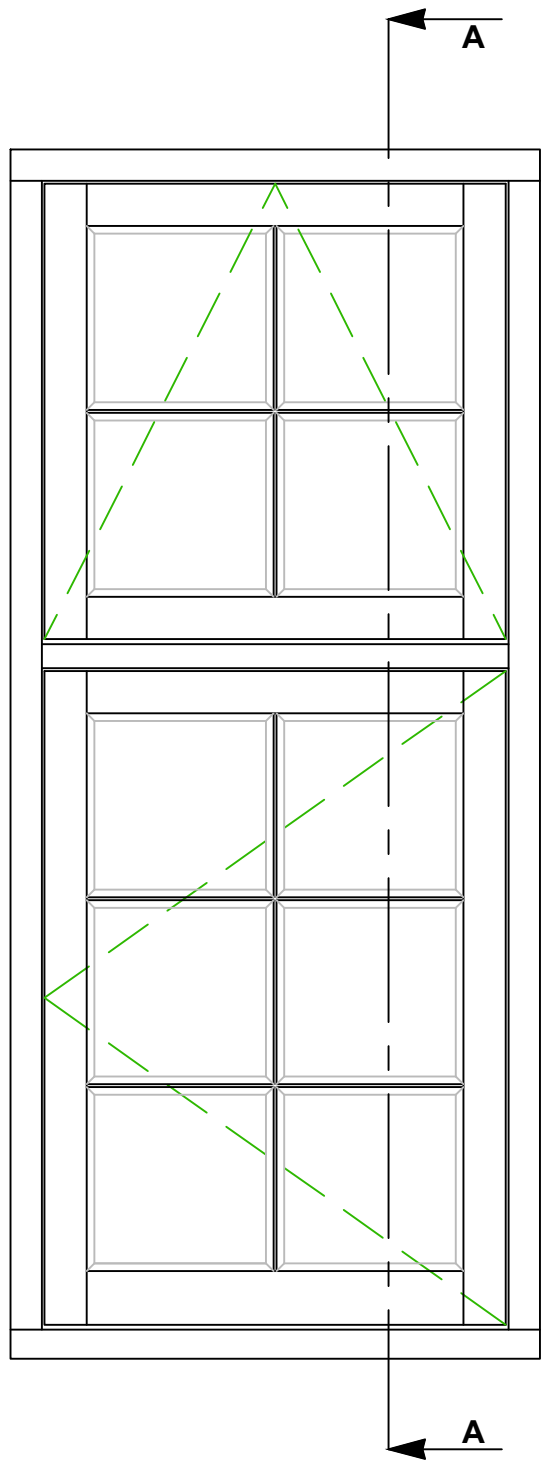
ALL DIMENSIONS IN MM  
ALL LINEAR DIMENSIONS ±0.4  
ALL ANGLE DIMENSIONS ±0.5°  
BREAK ALL SHARP EDGES 0.5

PRODUCT RANGE:  
FLUSH CASEMENT (*Ovolo*)  
14mm Narrow Cavity Unit

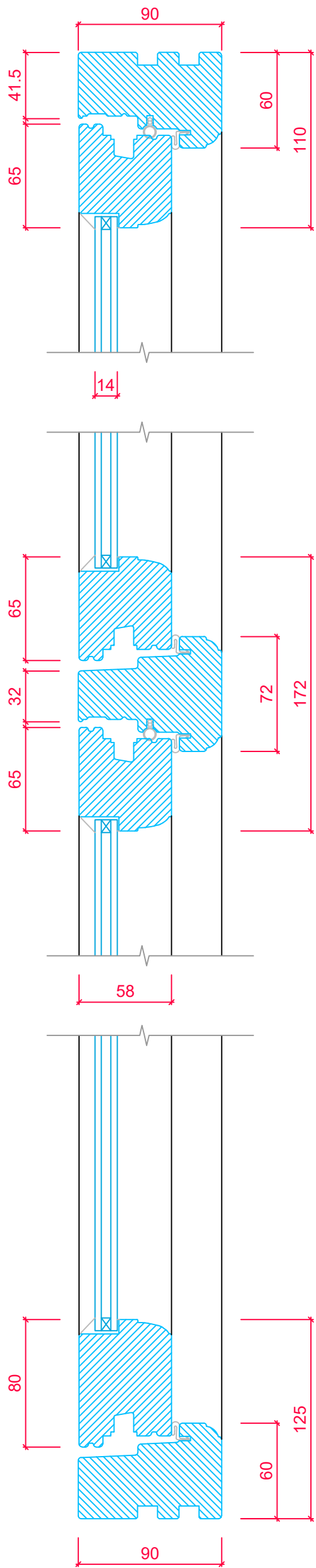
TITLE  
HORIZONTAL SECTION DETAIL  
- WITH MULLION

DRAWN BY: LH DATE DRAWN: 01/08/2019 SCALE: 1:3, 1:15

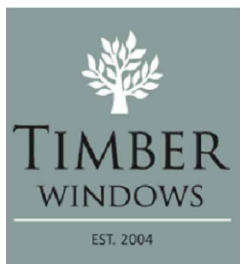
THIS DRAWING AND SPECIFICATIONS ARE THE PROPERTY OF THE PERFORMANCE WINDOW GROUP. THEY ARE ISSUED IN STRICT CONFIDENCE AND SHALL NOT BE REPRODUCED, COPIED OR USED AS THE BASIS FOR MANUFACTURING WITHOUT WRITTEN PERMISSION.



**TYPICAL CASEMENT LAYOUT**



**CASEMENT CROSS SECTION 'A-A'**



**TOLERANCES**  
UNLESS OTHERWISE SPECIFIED

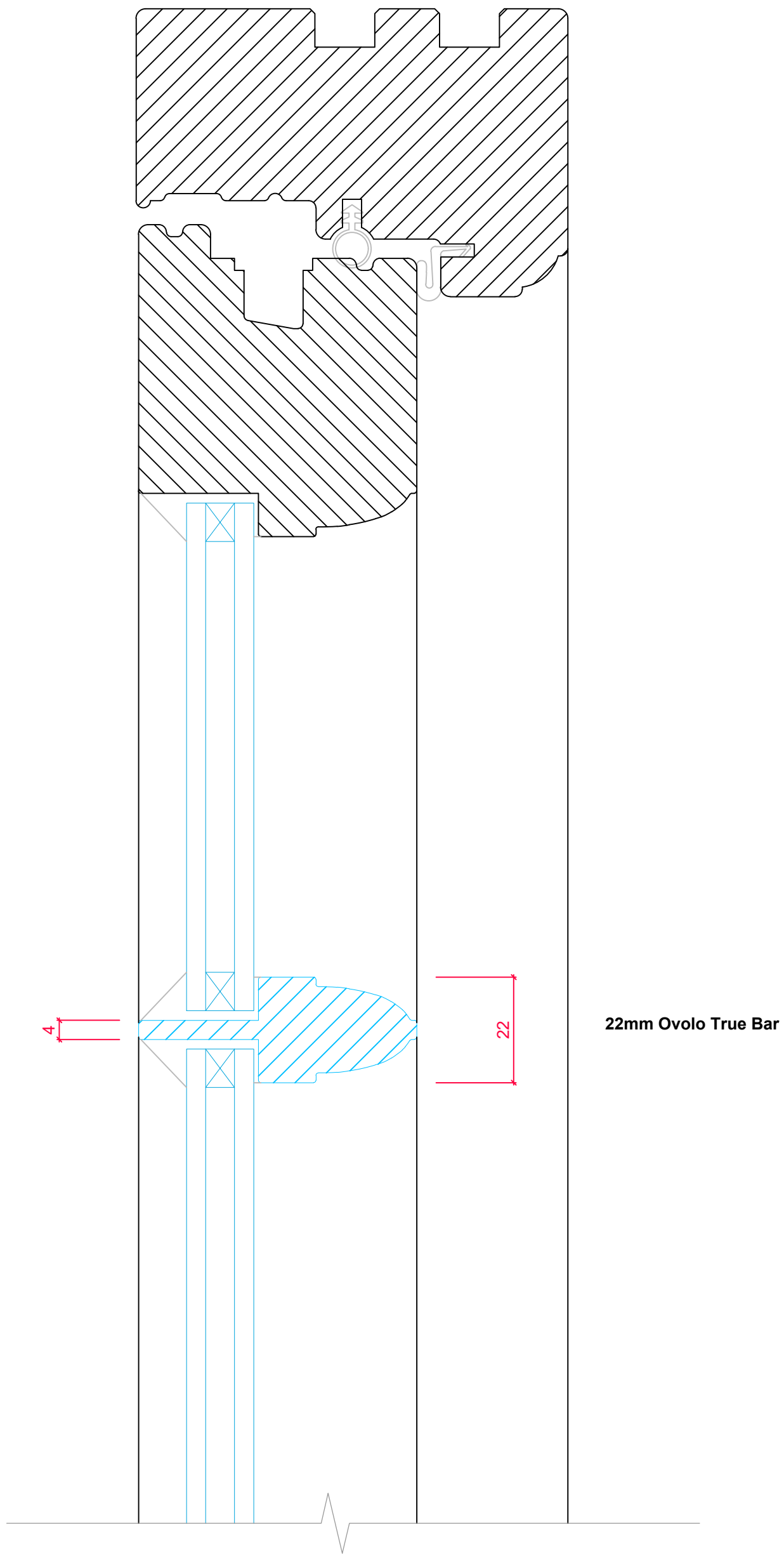
ALL DIMENSIONS IN MM  
ALL LINEAR DIMENSIONS  $\pm 0.4$   
ALL ANGLE DIMENSIONS  $\pm 0.5^\circ$   
BREAK ALL SHARP EDGES 0.5

PRODUCT RANGE: FLUSH CASEMENT (Ovolo)  
14mm Narrow Cavity Unit

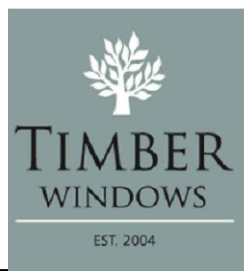
TITLE  
VERTICAL SECTION DETAIL  
- WITH TRANSOM

DRAWN BY: LH DATE DRAWN: 01/08/2019 SCALE: 1:3, 1:10

THIS DRAWING AND SPECIFICATIONS ARE THE PROPERTY OF THE PERFORMANCE WINDOW GROUP. THEY ARE ISSUED IN STRICT CONFIDENCE AND SHALL NOT BE REPRODUCED, COPIED OR USED AS THE BASIS FOR MANUFACTURING WITHOUT WRITTEN PERMISSION.



22mm Ovolo True Bar



**TOLERANCES**  
UNLESS OTHERWISE SPECIFIED

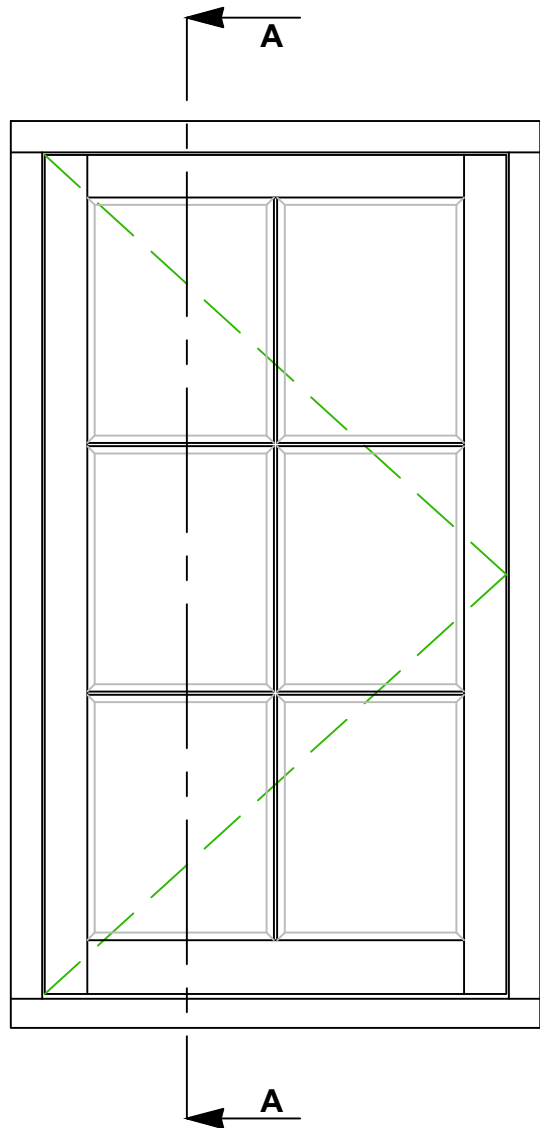
ALL DIMENSIONS IN MM  
ALL LINEAR DIMENSIONS ±0.4  
ALL ANGLE DIMENSIONS ±0.5°  
BREAK ALL SHARP EDGES 0.5

PRODUCT RANGE:  
FLUSH CASEMENT (*Ovolo*)  
14mm Narrow Cavity Unit

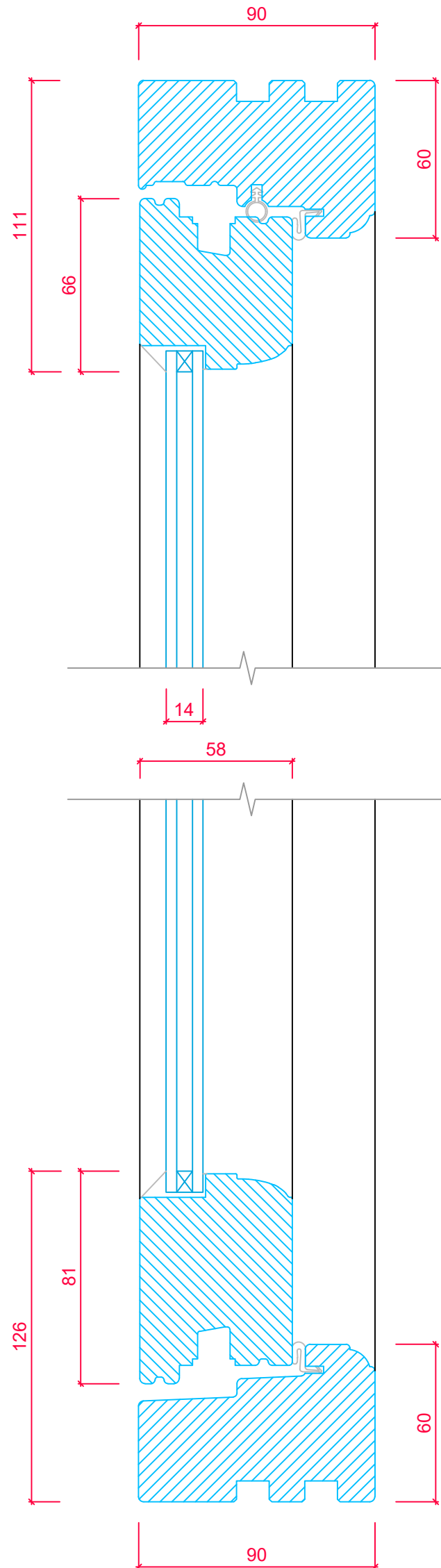
TITLE  
VERTICAL SECTION DETAIL  
- OVOLO TRUE BAR DETAIL

DRAWN BY: LH DATE DRAWN: 01/08/2019 SCALE: 1:1

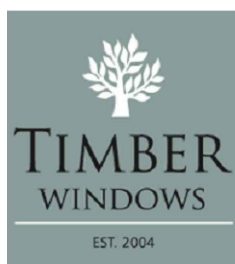
THIS DRAWING AND SPECIFICATIONS ARE THE PROPERTY OF THE PERFORMANCE WINDOW GROUP. THEY ARE ISSUED IN STRICT CONFIDENCE AND SHALL NOT BE REPRODUCED, COPIED OR USED AS THE BASIS FOR MANUFACTURING WITHOUT WRITTEN PERMISSION.



**TYPICAL CASEMENT LAYOUT**



**CASEMENT CROSS SECTION 'A-A'**



**TOLERANCES**  
UNLESS OTHERWISE SPECIFIED

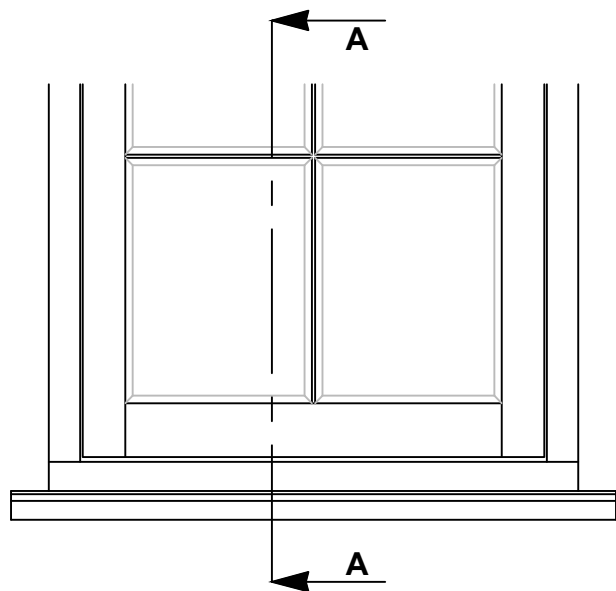
ALL DIMENSIONS IN MM  
ALL LINEAR DIMENSIONS ±0.4  
ALL ANGLE DIMENSIONS ±0.5°  
BREAK ALL SHARP EDGES 0.5

PRODUCT RANGE: **FLUSH CASEMENT (Ovolo)**  
14mm Narrow Cavity Unit

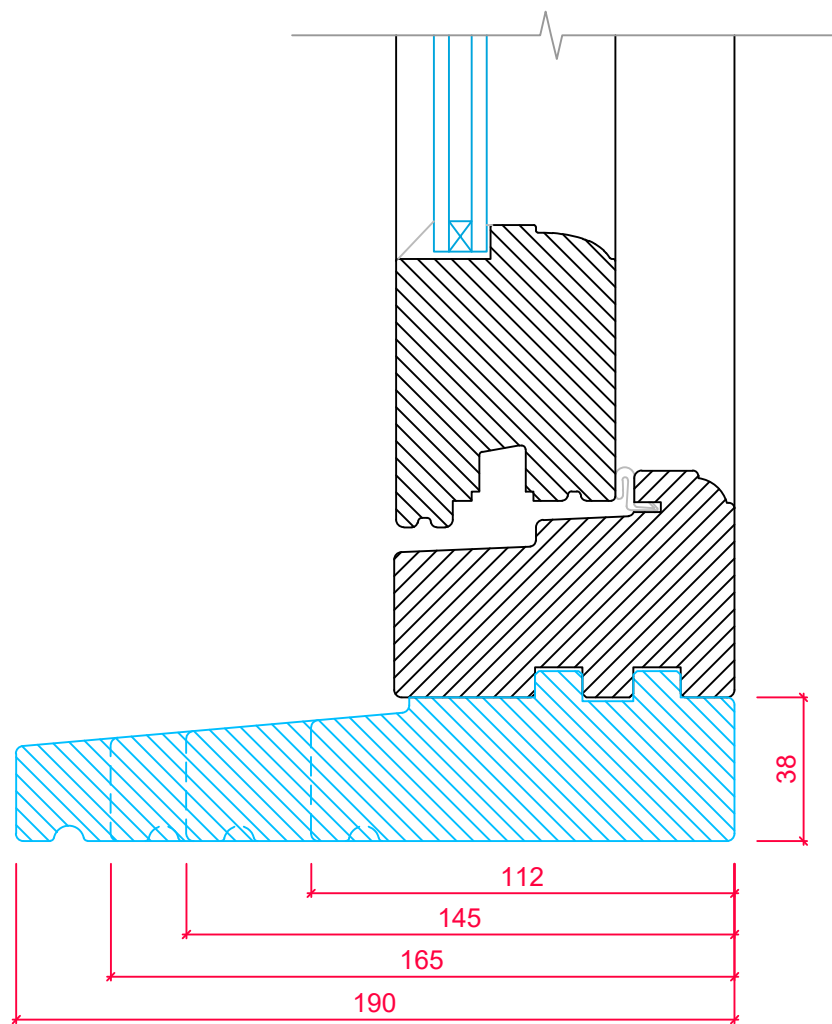
TITLE  
**VERTICAL SECTION DETAIL**  
- TOP AND BOTTOM RAIL

DRAWN BY: LH DATE DRAWN: 01/08/2019 SCALE: 1:2, 1:10

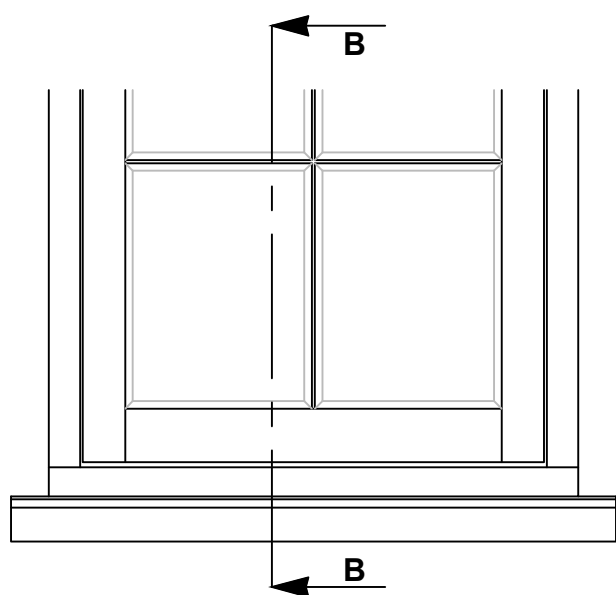
THIS DRAWING AND SPECIFICATIONS ARE THE PROPERTY OF THE PERFORMANCE WINDOW GROUP. THEY ARE ISSUED IN STRICT CONFIDENCE AND SHALL NOT BE REPRODUCED, COPIED OR USED AS THE BASIS FOR MANUFACTURING WITHOUT WRITTEN PERMISSION.



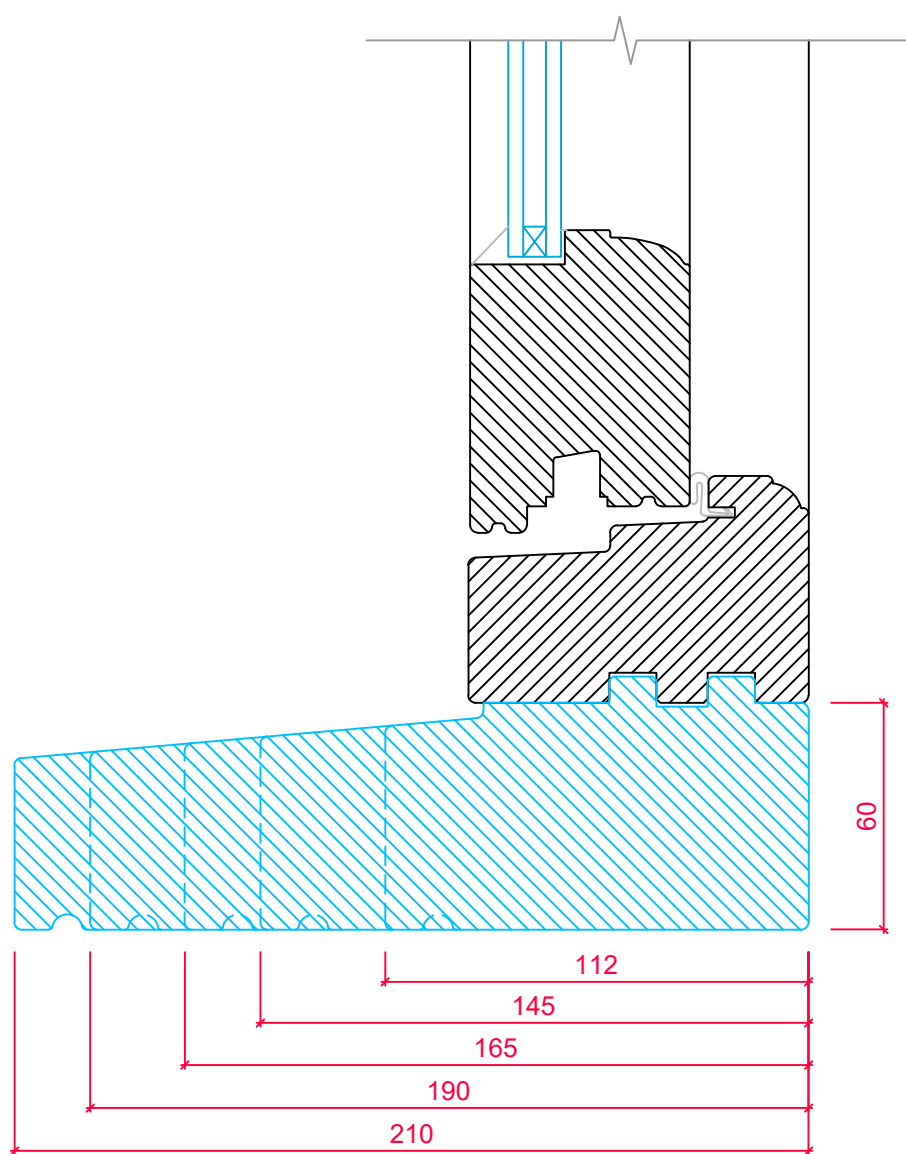
**38mm CILL ELEVATION WITH  
50mm HORNS L+R**



**38mm CILL OPTIONS SECTION 'A-A'**



**60mm CILL ELEVATION WITH  
50mm HORNS L+R**



**60mm CILL OPTIONS SECTION 'B-B'**



**TOLERANCES**  
UNLESS OTHERWISE SPECIFIED

ALL DIMENSIONS IN MM  
ALL LINEAR DIMENSIONS ±0.4  
ALL ANGLE DIMENSIONS ±0.5°  
BREAK ALL SHARP EDGES 0.5

PRODUCT RANGE:  
**FLUSH CASEMENT (Ovolo)**  
14mm Narrow Cavity Unit

TITLE  
**VERTICAL SECTION DETAIL  
- CILL OPTIONS**

DRAWN BY: LH DATE DRAWN: 01/08/2019 SCALE: 1:2, 1:10