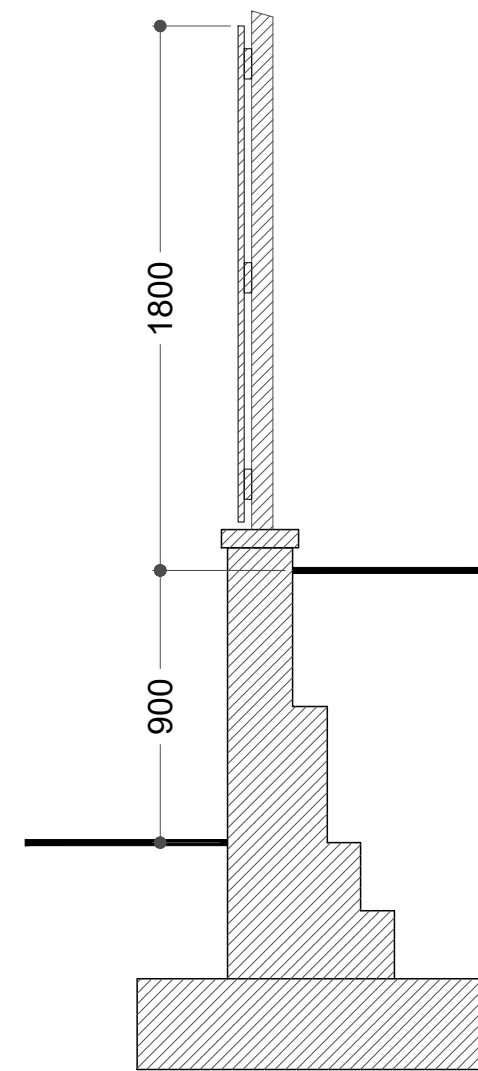
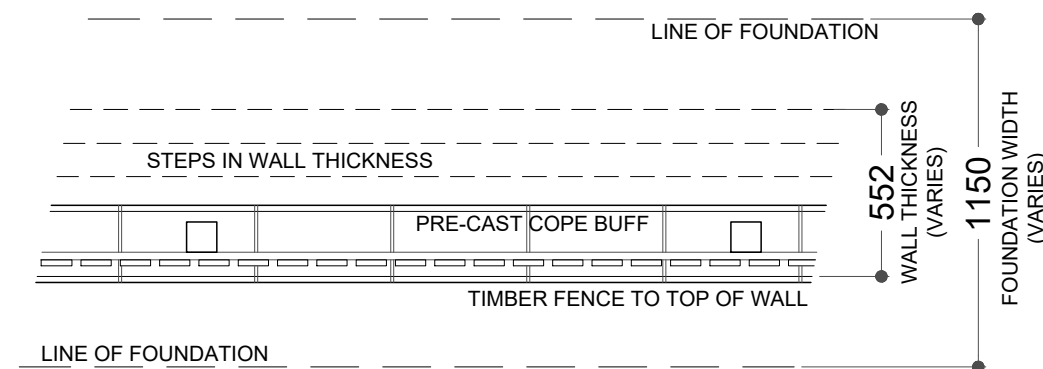


FOUNDATION
(TO ENGINEERS DETAILS)

TYPICAL ELEVATION



TYPICAL SECTION



TYPICAL PLAN

