

# EOS ROOF LANTERN

---

The EOS Roof Lantern is a more cost-effective solution than our Sky-Line Roof Lantern and is a viable alternative. As well as offering value for money it boasts comparable design features. The roof itself is designed around maximum uninterrupted sight lines – bar numbers are reduced (or can be added if you prefer) and the ridge board and hub ends are as unobtrusive as possible. The EOS Roof Lantern allows for larger areas of glass than any other lantern, meaning less aluminium



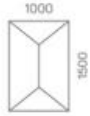
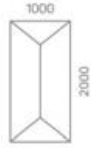


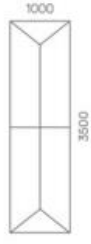

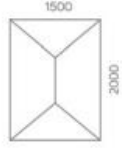
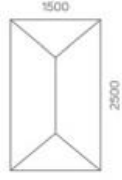
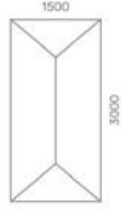


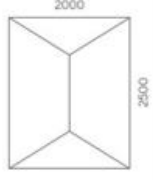
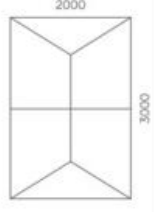
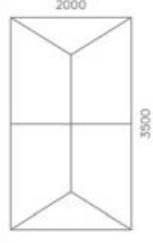

# PRODUCT SPECIFICATION

## EOS ROOF LANTERN

- Our EOS range is an aluminium roof system boasting a thermally broken aluminium ridge body, 25° fixed pitch to all four sides and aluminium glazing bar and top caps.
- Low profile eaves beam (no gutter) is designed to be fitted with oversailing 24 mm double glazed units (high performance Advance glazing with low E, self-cleaning and solar control, in blue or neutral offered as standard)
- The thermal performance has been optimised to make it suitable for extensions in domestic properties.
- Typical U value with 1.1 glass for a 1000 mm wide x 2000 mm long rooflight is 1.4 W/mK. The larger the roof lantern, the more thermally efficient the overall product becomes.
- Full colour range in any RAL colour\* available externally. The internal profiles of the roof are available in anthracite grey, white and black. \*excluding metallic finishes, Elite or essence ranges.
- Quick turnaround times.

### AVAILABLE IN SET SIZES

Rectangular double ended roof lights, with a width from 1000-2500\*mm and a length from 1500-5000\*mm.

1000 x 1500	1000 x 2000	1000 x 2500	1000 x 3000	1000 x 3500	1000 x 4000
					
	1500 x 2000	1500 x 2500	1500 x 3000	1500 x 3500	1500 x 4000
					
		2000 x 2500	2000 x 3000	2000 x 3500	2000 x 4000
					

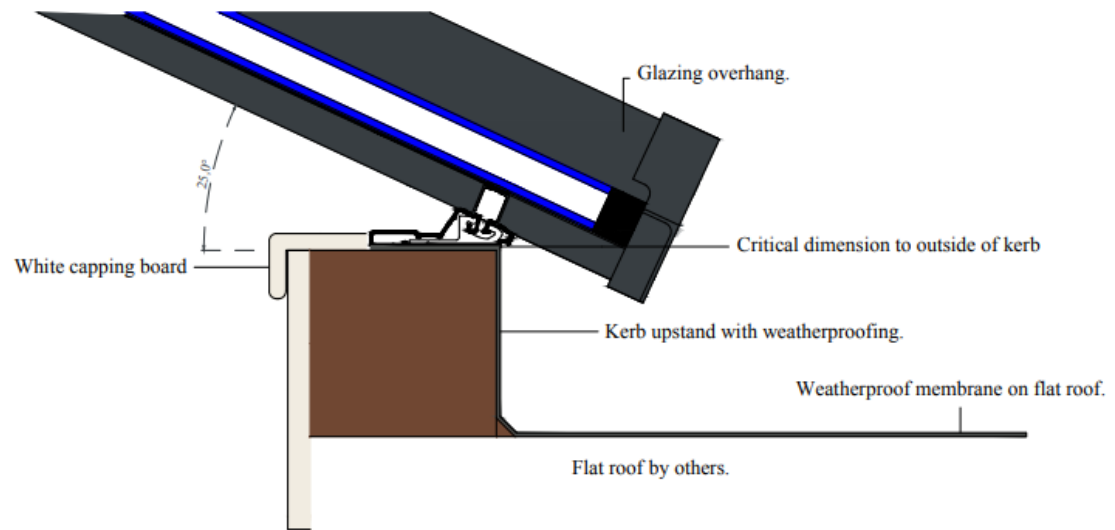
# TECHNICAL:



## EAVES BEAM

THROUGH SECTION  
ROOF RIDGE  
RAFTER SECTIONS

# EAVES BEAM



\* The timber upstand must be a minimum of 150mm high to meet building regulations.  
The depth of the upstand needs to be a minimum of 70mm for the roof to sit on.

# TECHNICAL:



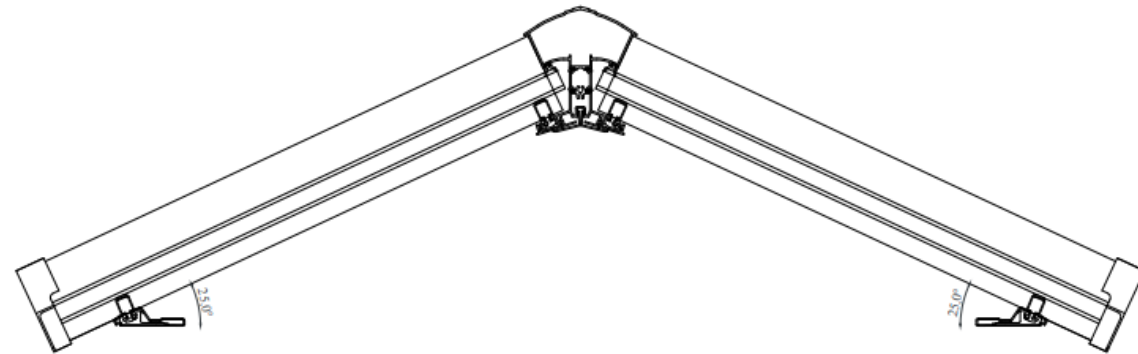
EAVES BEAM

THROUGH SECTION

ROOF RIDGE

RAFTER SECTIONS

# THROUGH SECTION

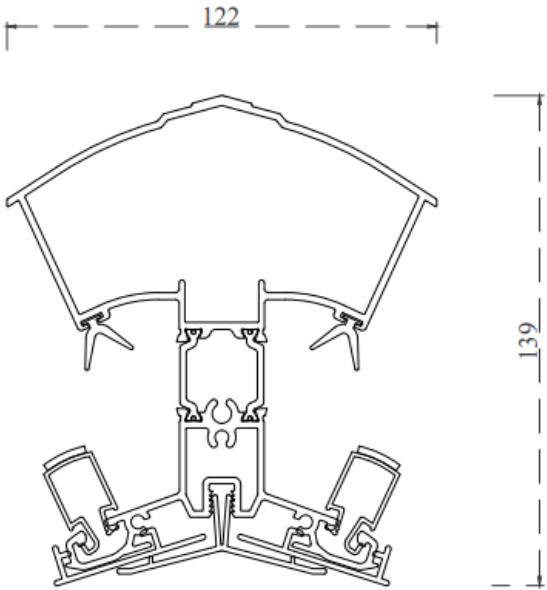


# TECHNICAL:



- EAVES BEAM
- THROUGH SECTION
- ROOF RIDGE
- RAFTER SECTIONS

# ROOF RIDGE

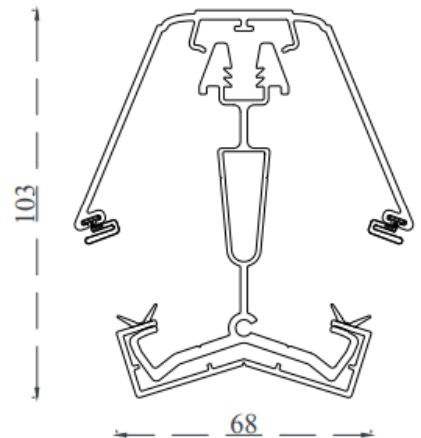


# TECHNICAL:

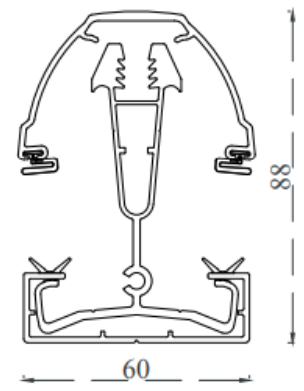


- EAVES BEAM
- THROUGH SECTION
- ROOF RIDGE
- RAFTER SECTIONS

# RAFTER SECTIONS



Hip



Rafter