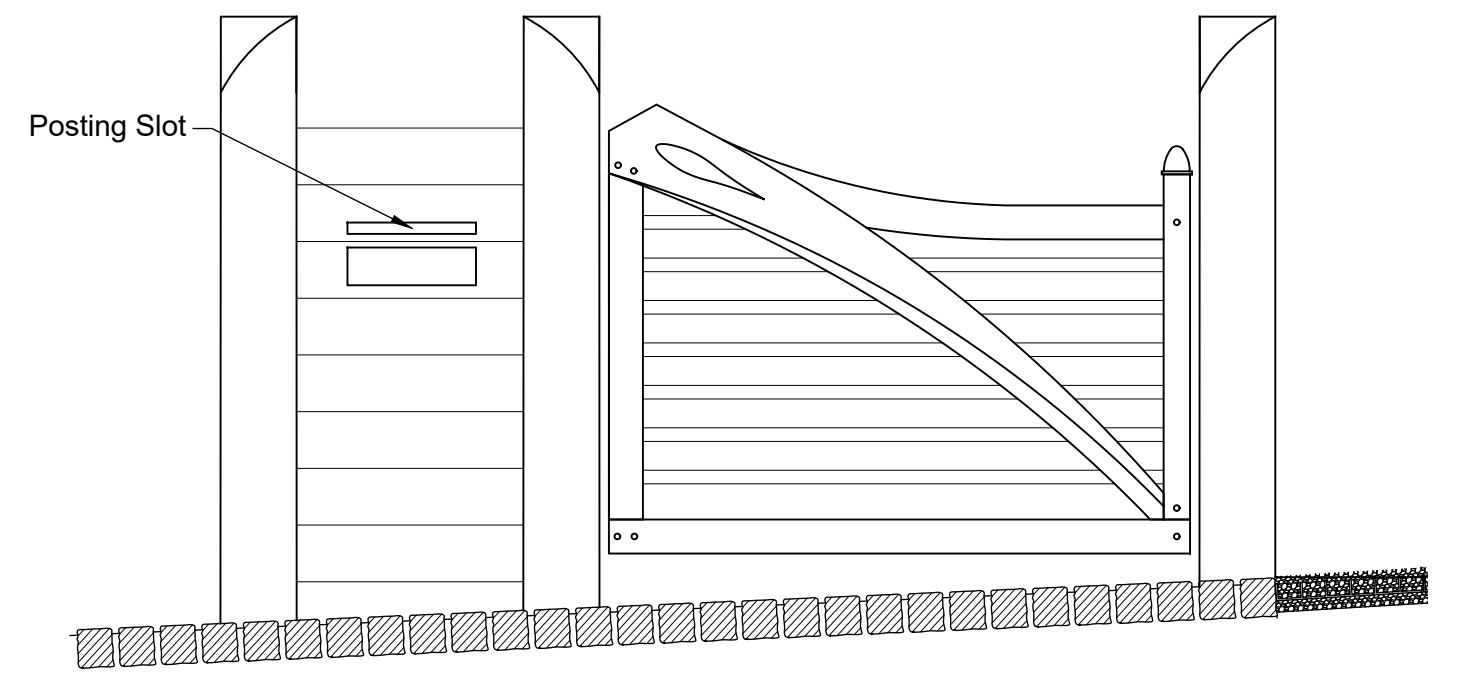
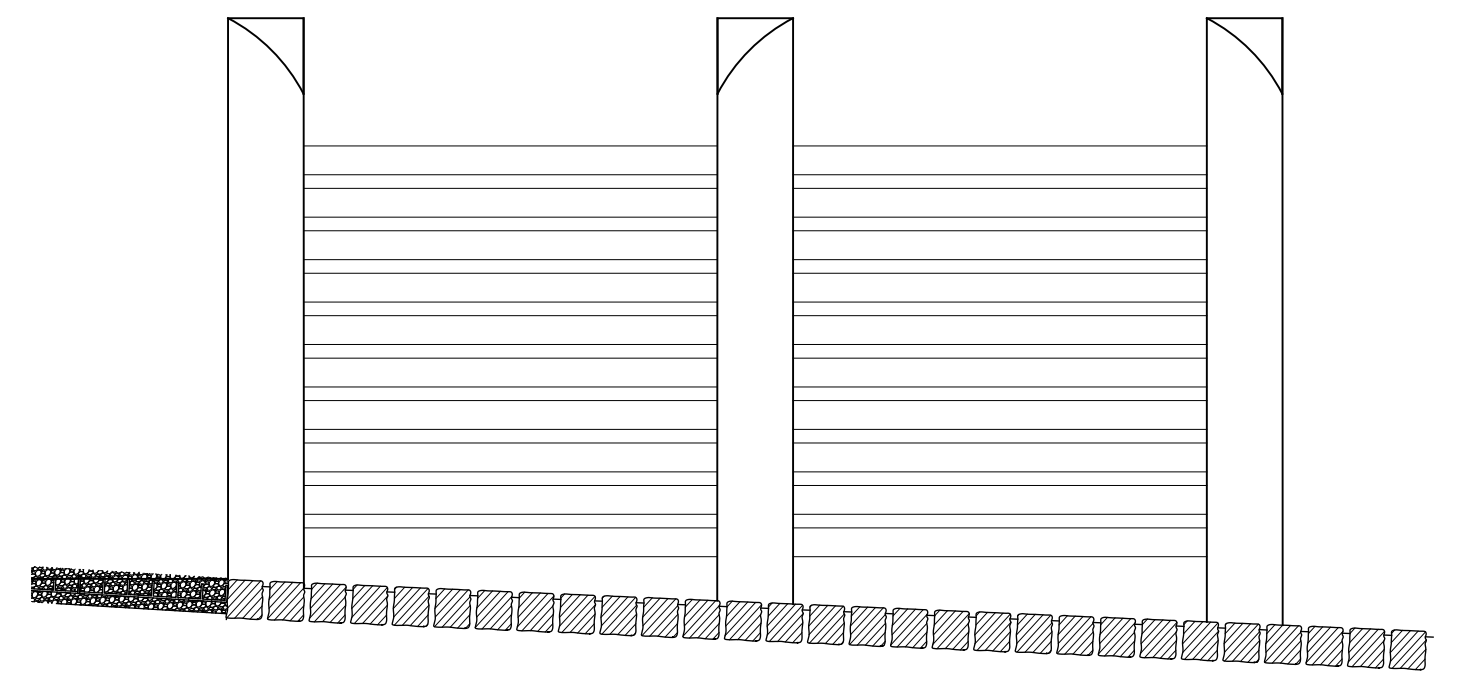




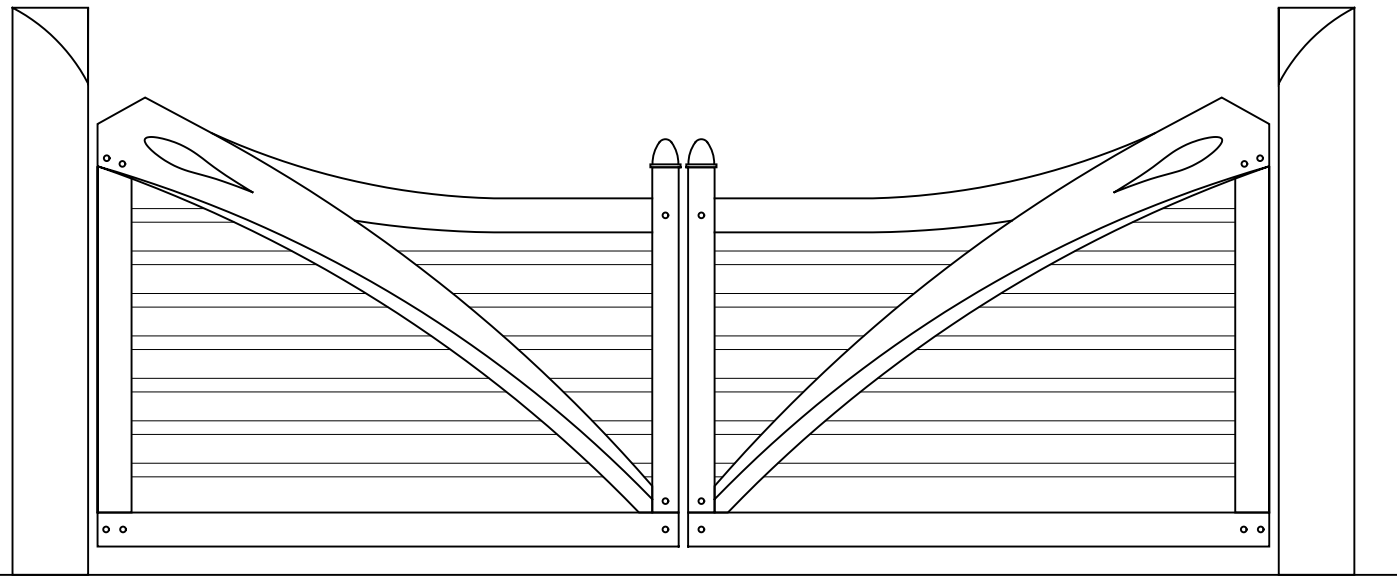
Gate Plan
1:50



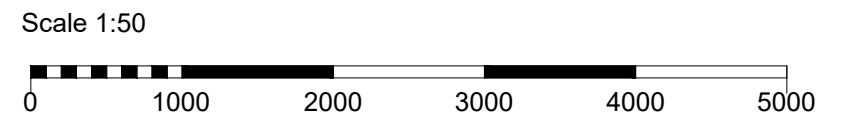
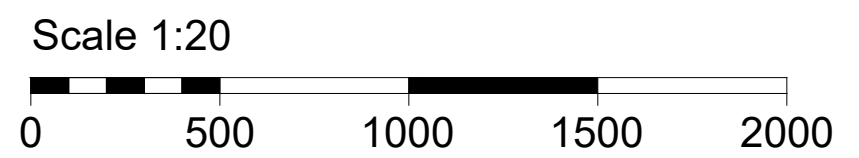
Elevation B
Pedestrian Gate
1:20



Elevation C
Fence
1:20



Elevation A
Car Gate
1:20



NOTES :
DO NOT SCALE. ALL DIMENSIONS TO BE CHECKED ON SITE AND VERIFIED PRIOR TO COMMENCING WORKS/MANUFACTURE. ANY DISCREPANCIES TO BE REPORTED TO THE ARCHITECT.
THIS DRAWING IS PROTECTED BY COPYRIGHT. IT MAY NOT BE REPRODUCED IN ANY FORM OR BY ANY MEANS FOR ANY PURPOSE WITHOUT THE WRITTEN PERMISSION OF WITCHER CRAWFORD

Rev	Date	Description
Revisions		

CLIENT	PROJECT	DRAWING TITLE
Mr & Mrs White	Broomwood, Woodland Rise, Sevenoaks	Proposed Gate Plan and Elevations

Planning
SCALE: 1:20 & 1:50 @ A3
DATE: Apr 2021
DRAWN: TK/VV
CHECKED BY: W

WITCHER CRAWFORD
ARCHITECTS & DESIGNERS
32 St Thomas Street
Winchester
Hampshire
SO23 9HJ
Tel: 01962 813344
Email: info@witchercrawford.com
Web: www.witchercrawford.com

DRAWING NO.		
W1554	P20	*