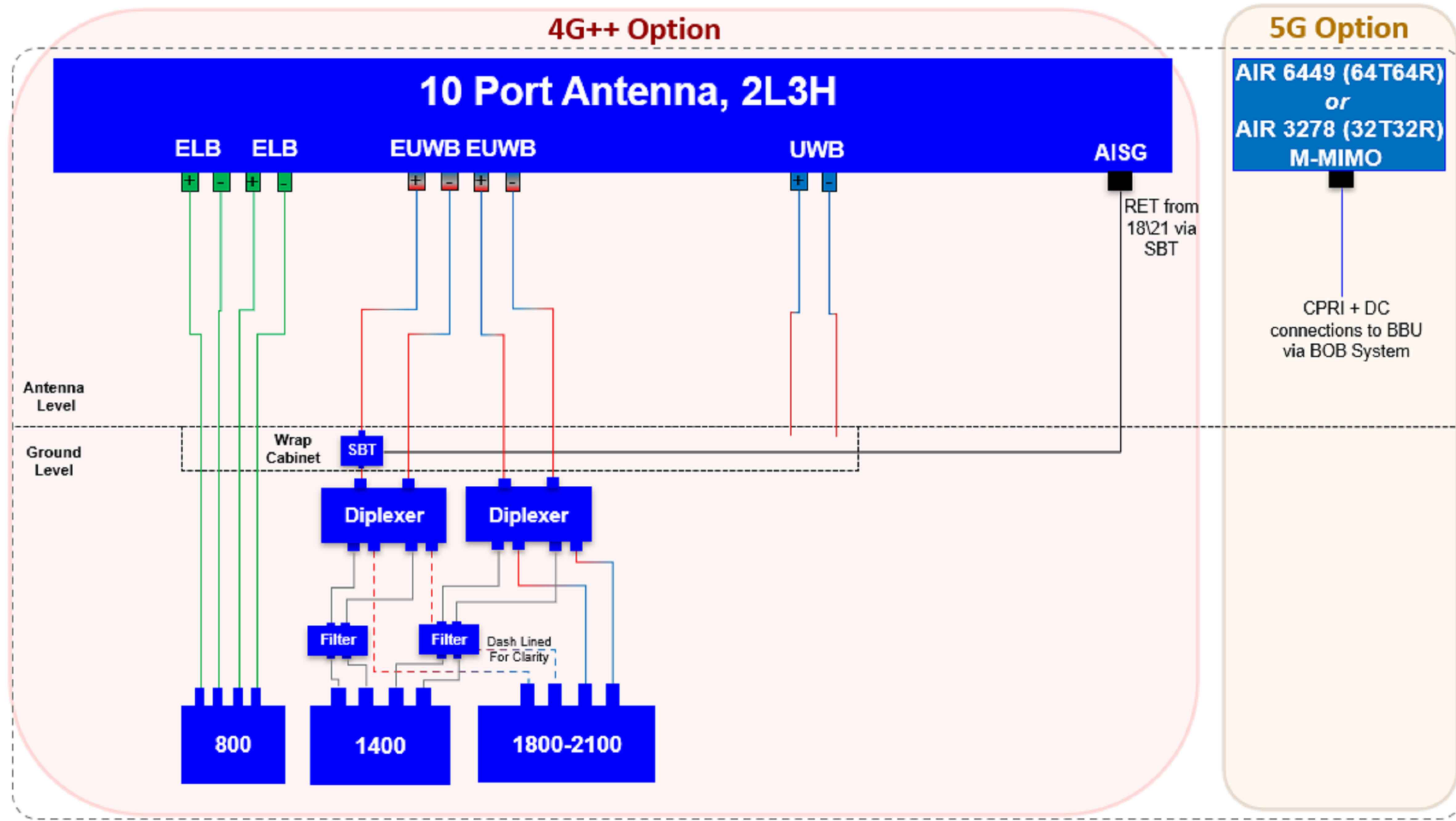


Proposed H3G Antenna Aperture Schedule & RF Equipment Capacity

Antenna Aperture ID	Antenna Aperture Size (Length x Width x Depth)	Aperture Height C/L	Aperture Max Weight (kg)	Proposed 4G/5G Bearing	Tech: 4G/5G	Operator: Shared/EE/H3G	Antenna Aperture Coordinates		RRU No. Max Size & Weight L=500mm W=400mm D=150mm Weight=25kg	MHA No. Max Size & Weight L=300mm W=300mm D=150mm Weight=10kg	Main Feeder			BOB Max Size & Weight (300x300x250mm & 5kg)		Active Router No. Max Size & Weight (370x260x150mm & 10kg)	Passive Router No. Max Size & Weight (350x220x150mm & 10kg)
							Eastings	Northings			Size	Length	No.	No. Top	No. Bottom		
A1	795x395x220mm	14.60m	45kg	90°	5G	H3G	-	-	0	0	TBC	TBC	4	1	1	1	1
A2	2009x469x206mm	12.70m	TBC	90°	4G	H3G	-	-	3	0	TBC	TBC	4	1	1	1	1
B1	795x395x220mm	14.60m	45kg	210°	5G	H3G	-	-	0	0	TBC	TBC	4	1	1	1	1
B2	2009x469x206mm	12.70m	TBC	210°	4G	H3G	-	-	3	0	TBC	TBC	4	1	1	1	1
C1	795x395x220mm	14.60m	45kg	330°	5G	H3G	-	-	0	0	TBC	TBC	4	1	1	1	1
C2	2009x469x206mm	12.70m	TBC	330°	4G	H3G	-	-	3	0	TBC	TBC	4	1	1	1	1

STATUS KEY:

- Installed:** Existing
- Retain:** Existing and to remain
- Relocate:** Existing and to be relocated
- Remove:** Existing to be removed from site
- Proposed:** New on site



Master: M001	MBNL / EE / H3G	Project: H3G 5G UNILATERAL	Purpose of Issue: Planning	Issue: B
Date: 26/03/2021	Revision / Upgrade Description: First Issue - Site nomination dated: TBC			
Drawn: CDN	Checked: DH			
Approved: SD				
Master: M001	MBNL / EE / H3G	Project: H3G 5G UNILATERAL	Purpose of Issue: Planning	Issue: A
Date: 15/04/2020	Revision / Upgrade Description: First Issue - Site nomination dated: TBC			
Drawn: CDN	Checked: DH			
Approved: SD				



Hutchison 3G UK Limited
 Star House, 20 Grenfell Road
 Maidenhead, SL6 1EH
 Tel: 01628 765 000
 Fax: 01628 765 001

H3G Base Station Information line:
 0845 6043000
 Available 8am-8pm Monday to Friday

Design Consultant & Principal Contractor:

WHP Telecoms
 Unit 1 Maple Park,
 Low Fields Avenue, Leeds
 LS12 6HH

Tel: 01133023550
 e-mail: info@whptelecoms.com

Site Name: SW AT WESTERN APPROACH

Site ID: PLY10681

Address: WESTERN APPROACH,
 PLYMOUTH,
 PL1 1AR

Title: 303 PROPOSED H3G ANTENNA SCHEDULE & LINE CONFIGURATION

Project: H3G 5G UNILATERAL

Purpose of Issue: PLANNING

EE Cell ID: N/A	MBNL Cell ID: N/A	3UK Cell ID: N/A
-----------------	-------------------	------------------

Master Drawing No: PLY10681_M002 Issue: B

100mm
50mm
10mm