

DESIGN INTENT

This drawing is only to be used for the purpose identified in the status entry on this drawing. No responsibility is accepted for any other use or by any party not expressly identified in the issue sheet.

This drawing is not to be used for construction unless expressly noted as such. No responsibility is accepted for errors and/or omissions arising from the adoption of this drawn information by others. Contact Rawls immediately any discrepancy becomes apparent.

This drawing is the property of Rawls. Copyright is reserved by them and the drawing issued on the condition that it is not retained by any unauthorized person. It may not be reproduced or disclosed, either wholly or in part without their written consent.

All materials to be class '0' surface spread of flame unless specifically noted otherwise. It remains the responsibility of the user of this drawing to ensure all materials identified comply with Building Control and Fire Officer's requirements.

CDM Regulations 2015
The principal designer as defined under CDM 2015 must be consulted before any action is taken as a result of the use of this drawing for any purpose, unless confirmed expressly in writing by Rawls that we hold that duty.

- 31 03 21 First Issue JR
Rev DATE AMENDMENT DRAWN BY

r
The Studio
41 The High Street
London SW13 9LN
t: +44 (0)20 8487 5678
f: +44 (0)20 8878 4603
www.rawls.co.uk

rawls.
it's only solved by design

CLIENT
McArthurGlen

PROJECT
Swindon Longshop Glazing

DESCRIPTION
Glazing Bar Details

DRAWN BY	CHECKED BY	DATE
JR	-	March 2021

DRAWING NO	SCALE
0624 PL 600	1:1 @ A3

REVISION
-

STATUS
FOR PLANNING

NOTES:

New roof covering to be installed by an approved roofing contractor to a standard and quality in accordance with current British and European standards and in line with the manufacturer's instructions. Complete roof installation to achieve non-fragile class rating.

Contractor to ensure only roof glazing elements as per the demolition plan are to be carefully removed - damage to any other element of the building fabric is to be reported to the client team immediately.

All timber joists to be made good / repaired where damaged or decayed or replaced if required. Any new timber to be stabilised and decorated to class '0'.

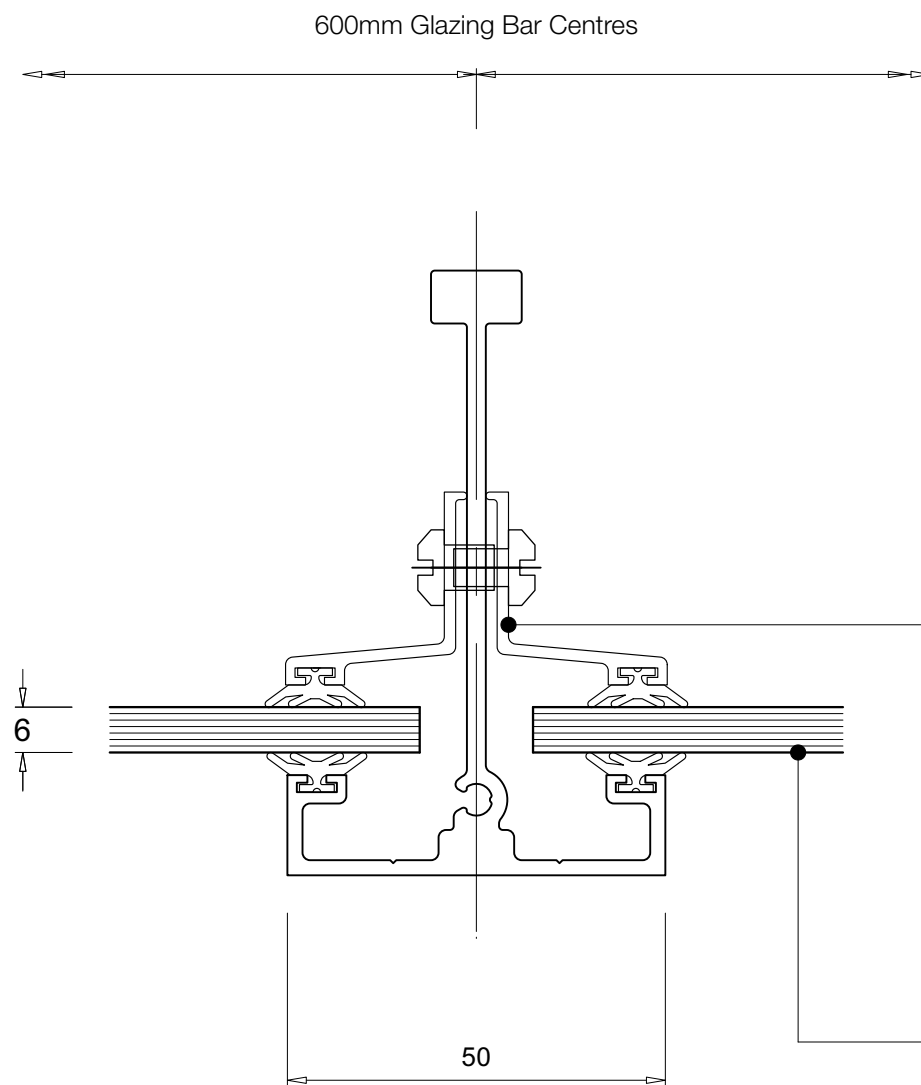
The colour of the timber to be a magnolia shade to match existing which is subject to Local Authority / English Heritage approval - to be confirmed.

All employers requirement drawings are from unverified record information - contractor to carry out their own surveys areas as required.

Contractor to provide full set of construction drawings and samples of the glazing bar and polycarbonate for client team approval prior to starting on site.

All building control requirements to be made by the main contractor via the Local Authority.

Contractor to follow existing means of access guidance as set out in existing centre O&M information.



New traditional standing seam aluminum glazing bar with extruded wings spaced at 600mm centres. Powder coated to match existing RAL 7024 TBC

6mm Grey Plasiac embossed with Georgian Wired Printed Effect polycarbonate or similar approved. The final specification of the polycarbonate will need to be assessed by a Fire Engineer against the centres existing fire strategy.