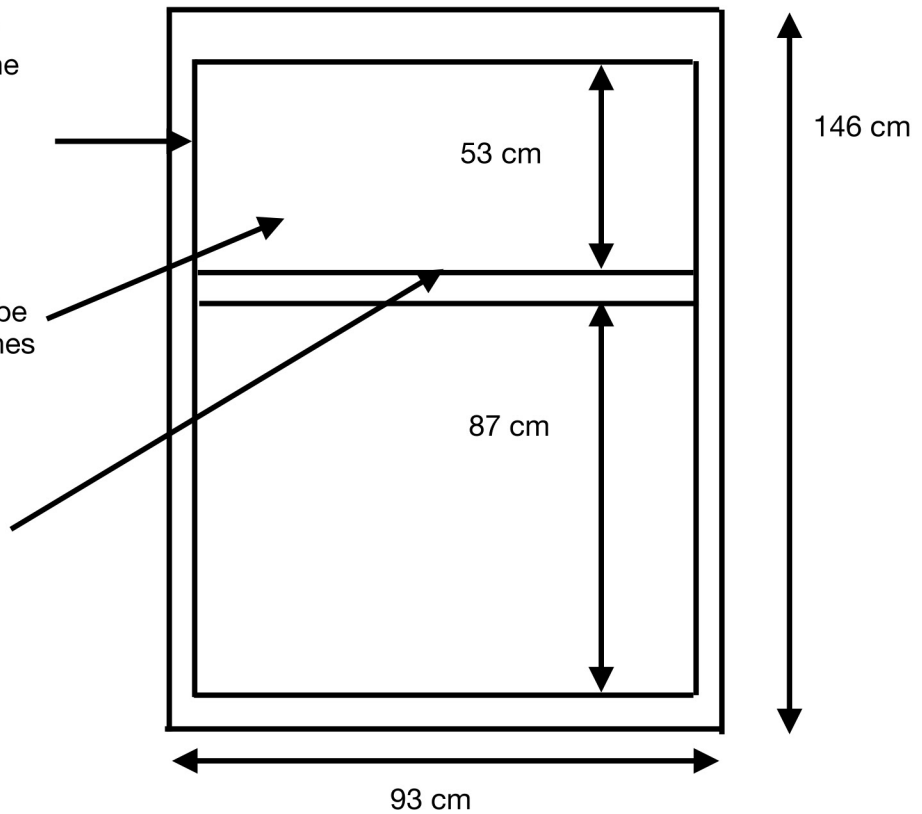


New frames will be made out of European Redwood timber to the same dimensions as existing windows. Frames will be painted white (currently painted dark brown).

Existing single glass panes will be replaced by doubled glazed panes

Each window will open in the same way as existing, i.e. vertical sliding sash, using new weights and ropes, and will be fitted with traditional sash locks and lifts in polished brass.



All window proportions will remain as existing, i.e. top sash 40% of total window dimension, and bottom sash 60% of total window dimension,.

