

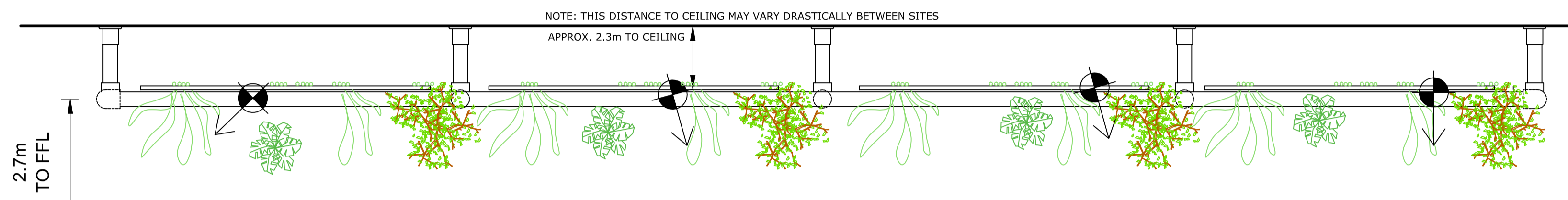
**KEY-CLAMP CEILING FEATURE - REFLECTED PLAN**  
Scale 1:10 @A1

MAIN CONTRACTOR TO PROVIDE 40mm DIA. KEY-CLAMP FRAME FIXED TO CEILING.  
NOTE: ALWAYS FIX INTO CEILING JOISTS

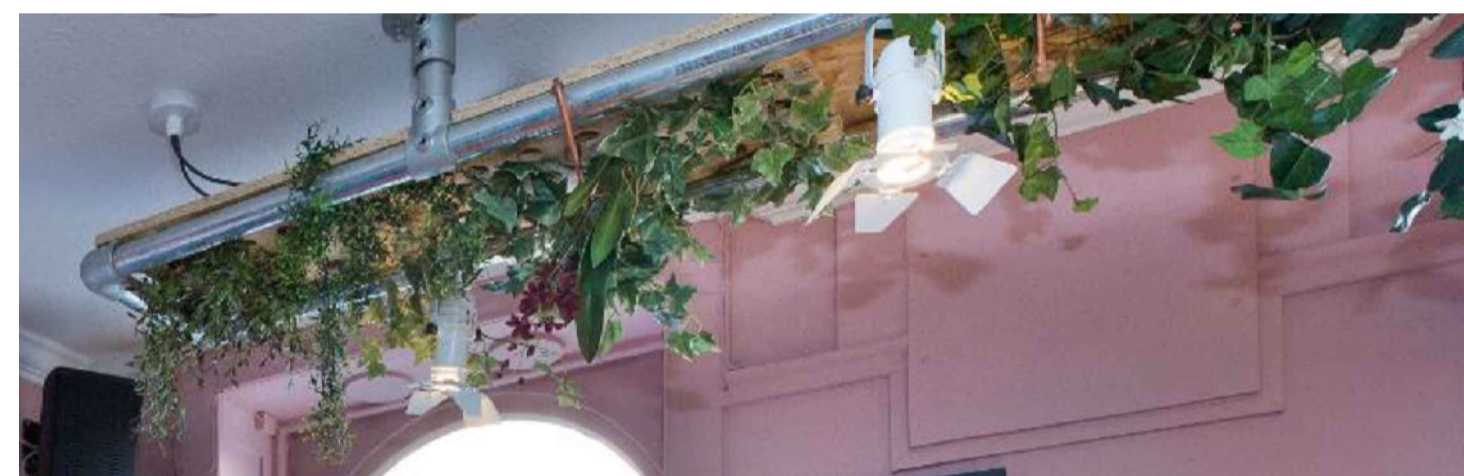
CLAMP ON WHITE POST LIGHTS SUPPLIED AS A CLIENT DIRECT WITH INSTALLATION BY ELECTRICIAN - WIRING CAN LOOP BACK TO CEILING ABOVE CANOPY

MAIN CONTRACTOR TO SUPPLY 3No. 360 x 800mm OSB BOARDS WITH THREE ROWS OF 40mm DIA. HOLES CUT AT 80mm CENTERS APART ACROSS THE BOARDS FOR FAUX PLANTING TO BE THREADED THROUGH. BOARDS TO SIT LOOSELY ONTO KEY-CLAMP POLES

BRANCHINGOUT2 TO SUPPLY A BOX OF FAUX PLANTING VINES FOR DESIGNER TO WRAP INTO BOARDS ON PRACTICAL COMPLETION DAY



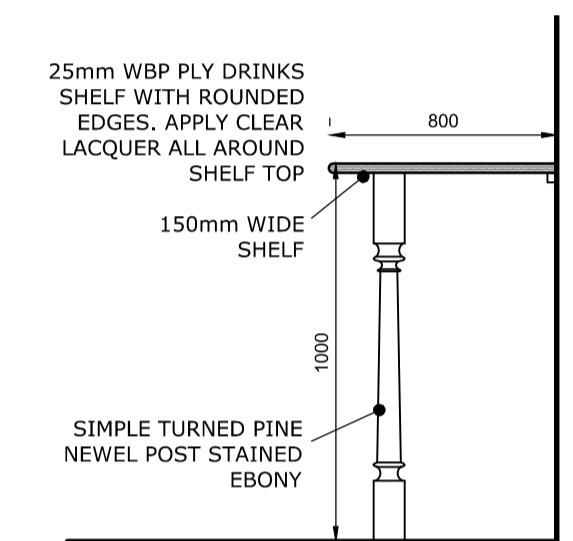
**KEY-CLAMP CEILING FEATURE - SIDE ELEVATION**  
Scale 1:10 @A1



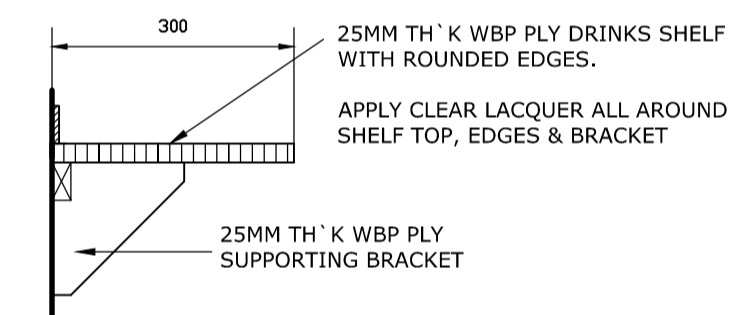
**REFERENCE PHOTO OF PREVIOUSLY COMPLETED RAFT**

**CEILING FEATURE FINISHES NOTES:**

- STEEL KEY-CLAMP TUBES & FIXINGS METAL FINISH TO BE A GALVANIZED FINISH
- OSB PLANTER BOARD TO HAVE CLEAR MATT LACQUER APPLIED ONLY



**STANDARD MACHINE POTSHLF DETAIL**  
Scale 1:20 @A1



**TYPICAL POT SHELF DETAIL**  
Scale 1:10 @A1

**SPATIALIZED**

Tel: 01924 364700  
Email: studio@spatialized.com  
Web: www.spatialized.com

1 Navigation Court  
Calder Park  
Wakefield  
WF2 7BJ

Stonegate Pub Company  
Porter Tun House  
500 Capability Green  
Luton  
Bedfordshire  
LU1 3LS

**stonegate**  
PUB COMPANY

Title **GENERAL JOINERY DETAILS**

Address  
**THE MAILBOX  
20 GUILDHALL STREET  
LINCOLN  
LN1 1TR**

Date	April'21	Revision	-
Drawn	DC	Job No	01-20-1052
Scale	1:10 @A1	Dwg No	12

Copyright - This drawing & design and all the information contained therein is the sole copyright of Spatialized Ltd - and reproduction in any form is forbidden unless permission is obtained in writing.

CONTRACTORS PLEASE NOTE:

- Warning: no dimensions are to be scaled from this drawing. All Contractors must visit site and be responsible for taking & checking all dimensions relative to this work. The designer must be advised of any discrepancies in writing.
- Any discrepancies between drawings & specification should be reported to the Designer prior to any work commencing.