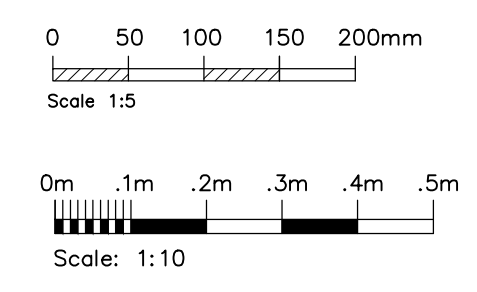
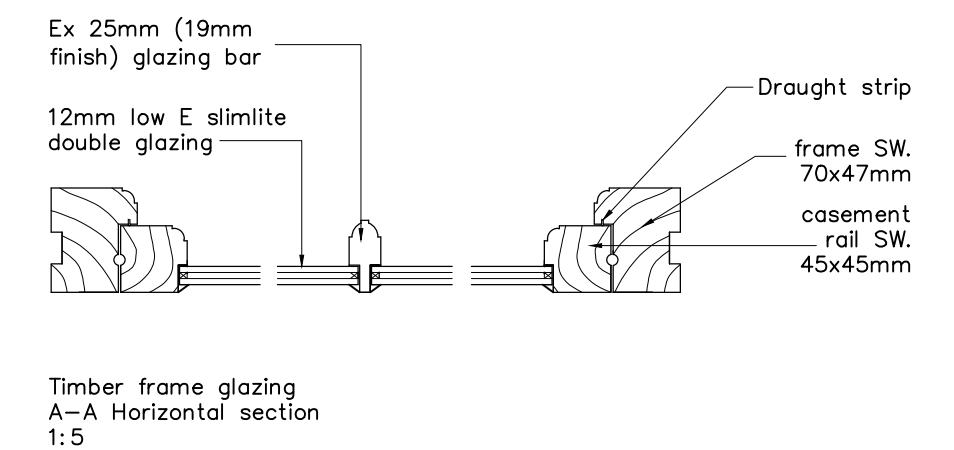
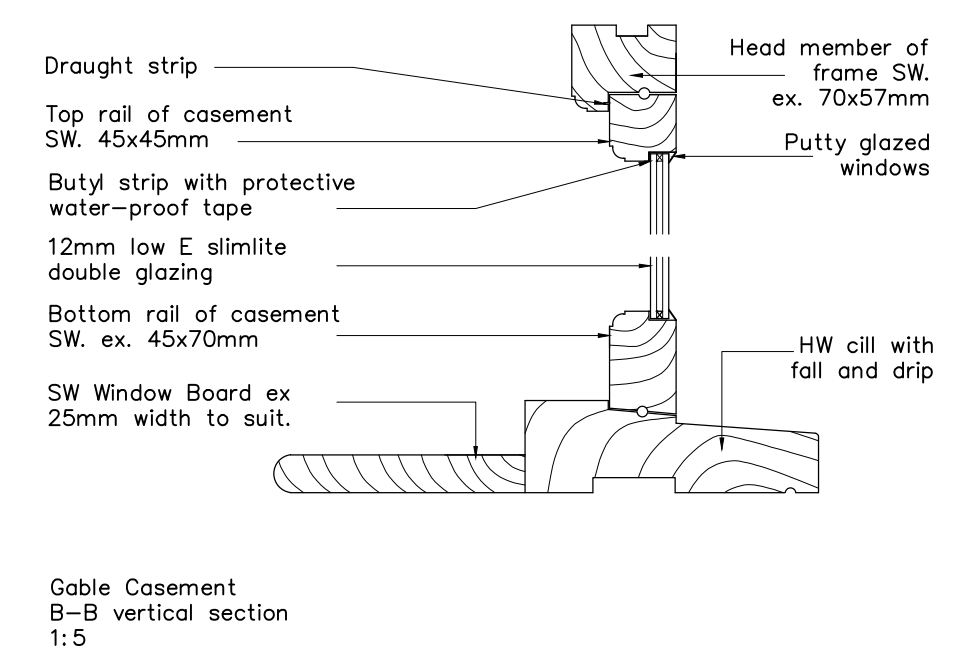
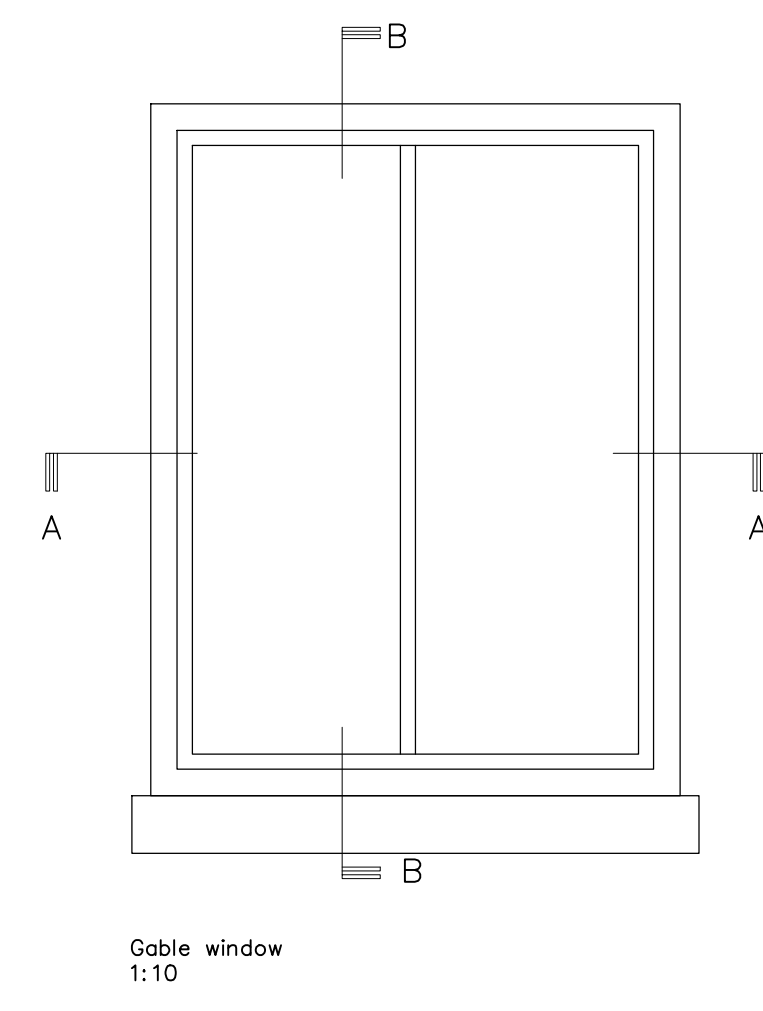
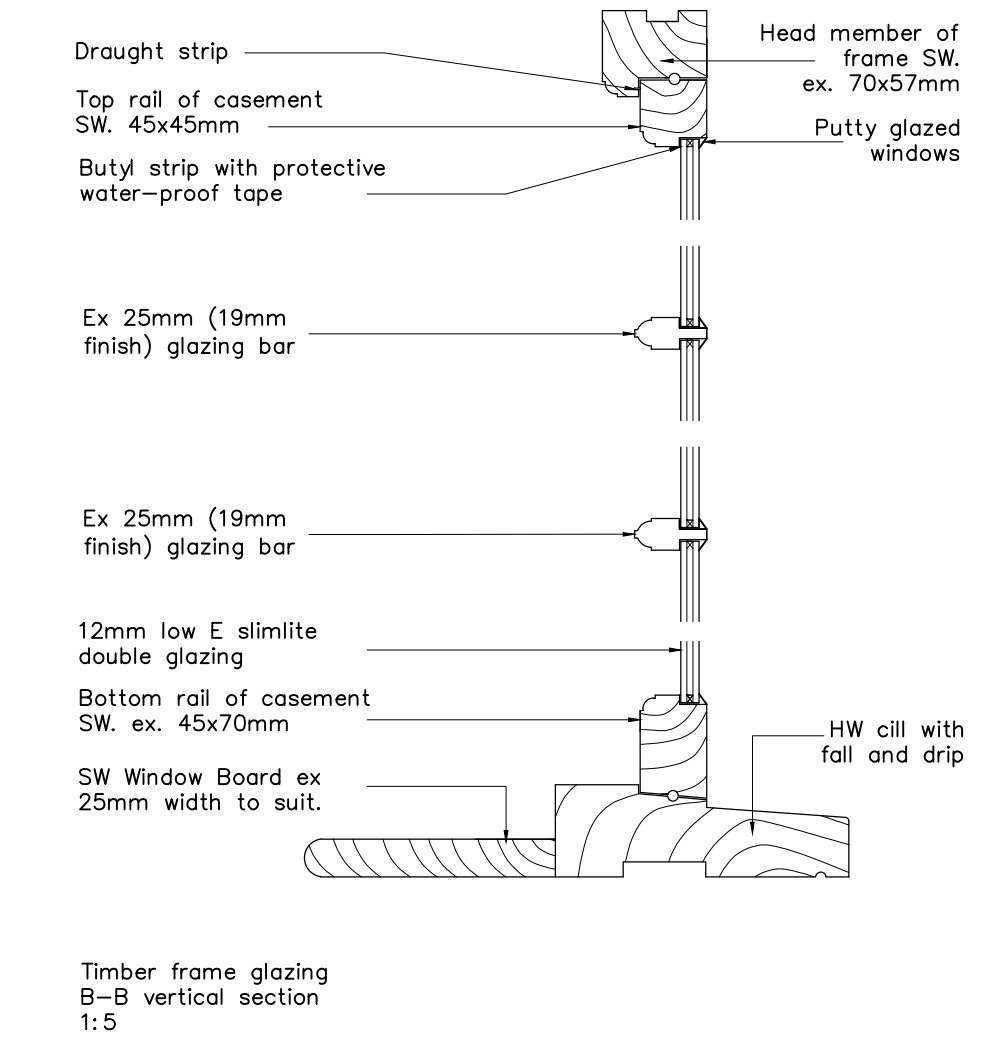
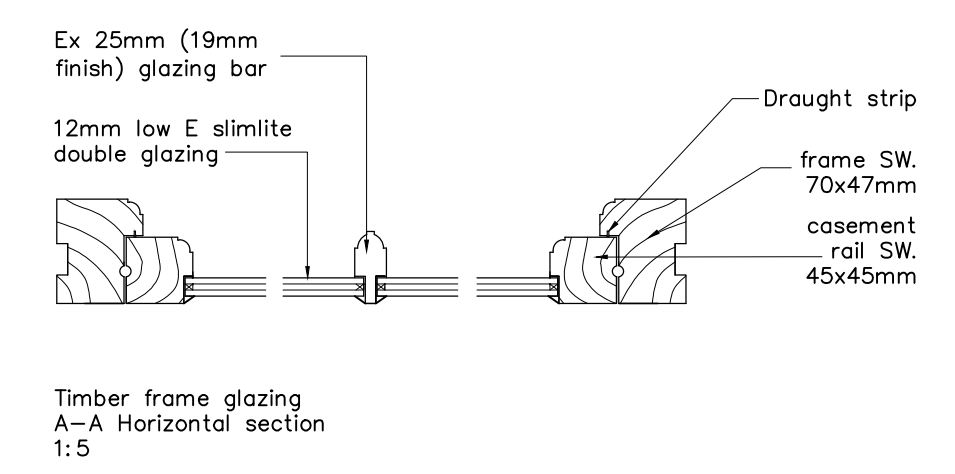
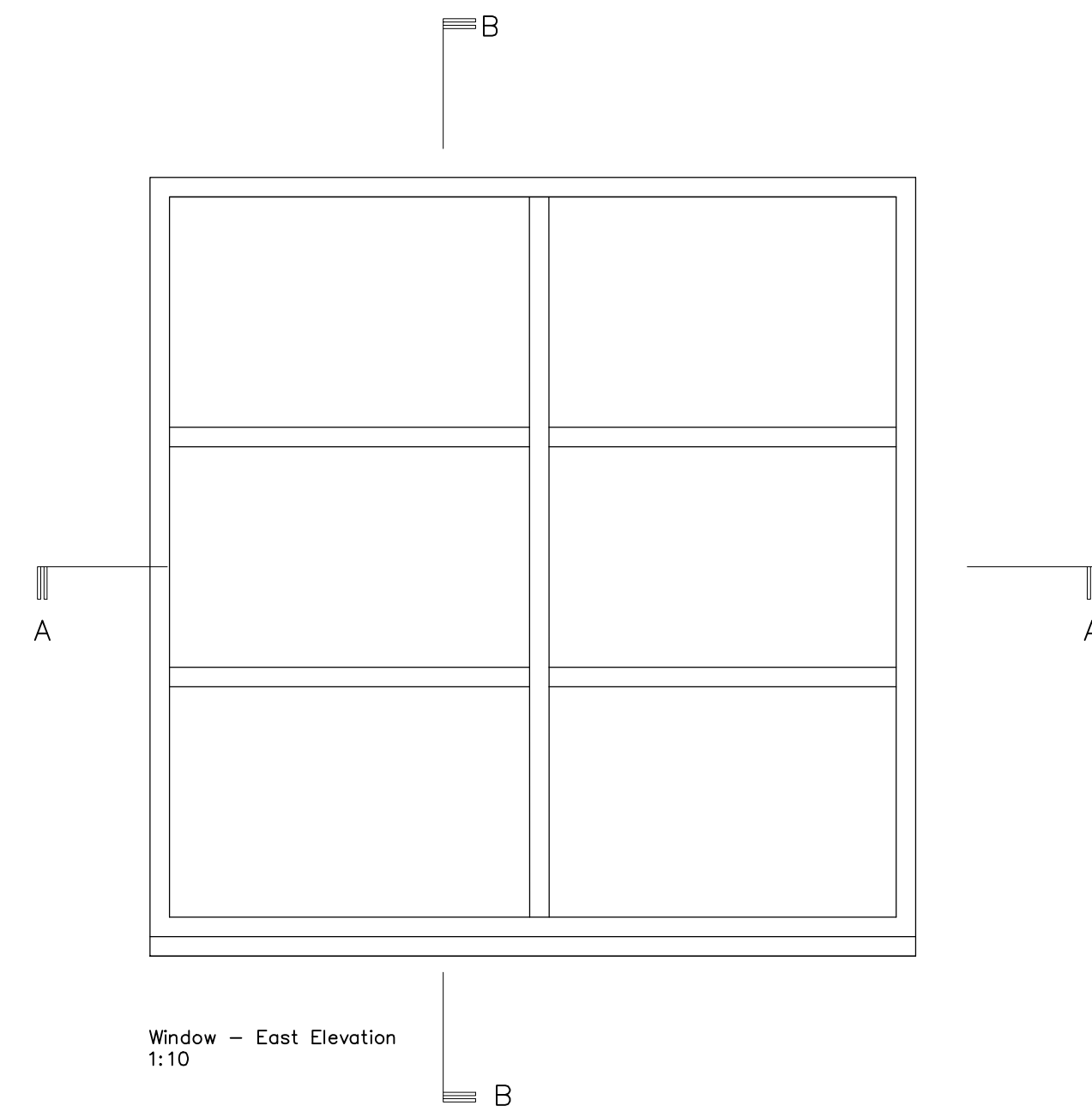
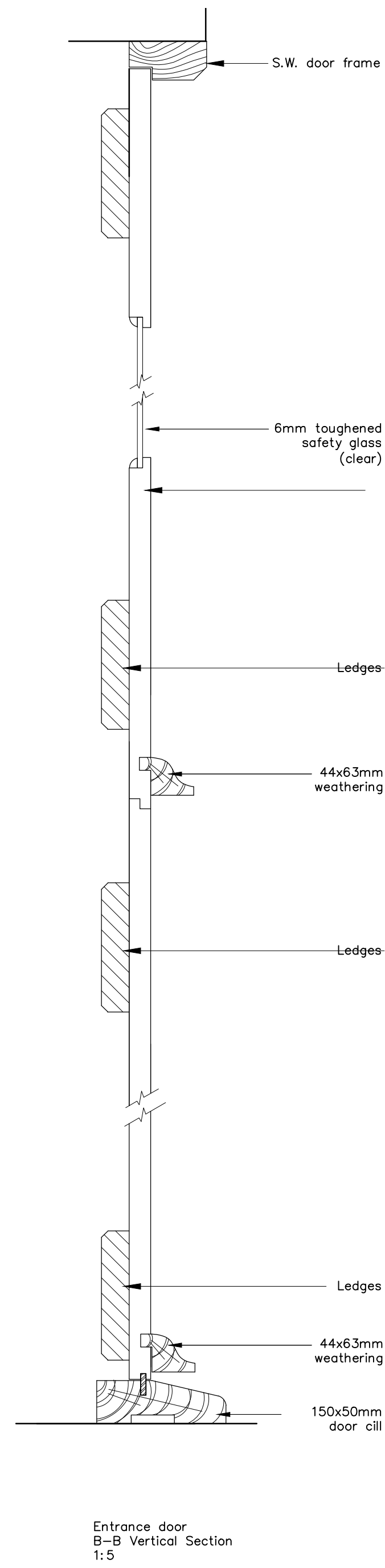
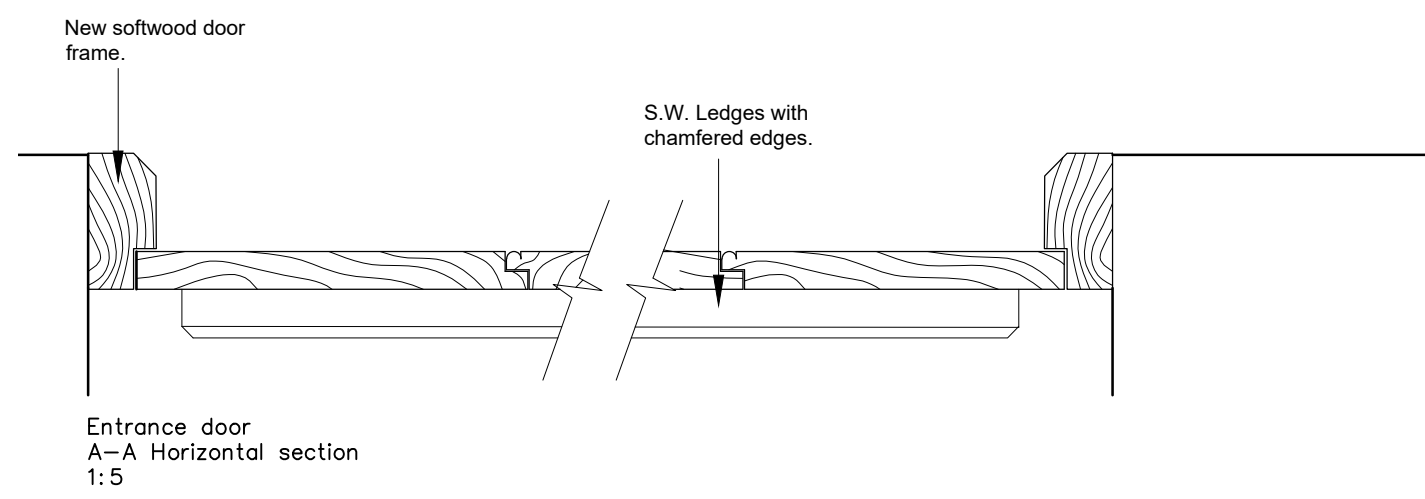
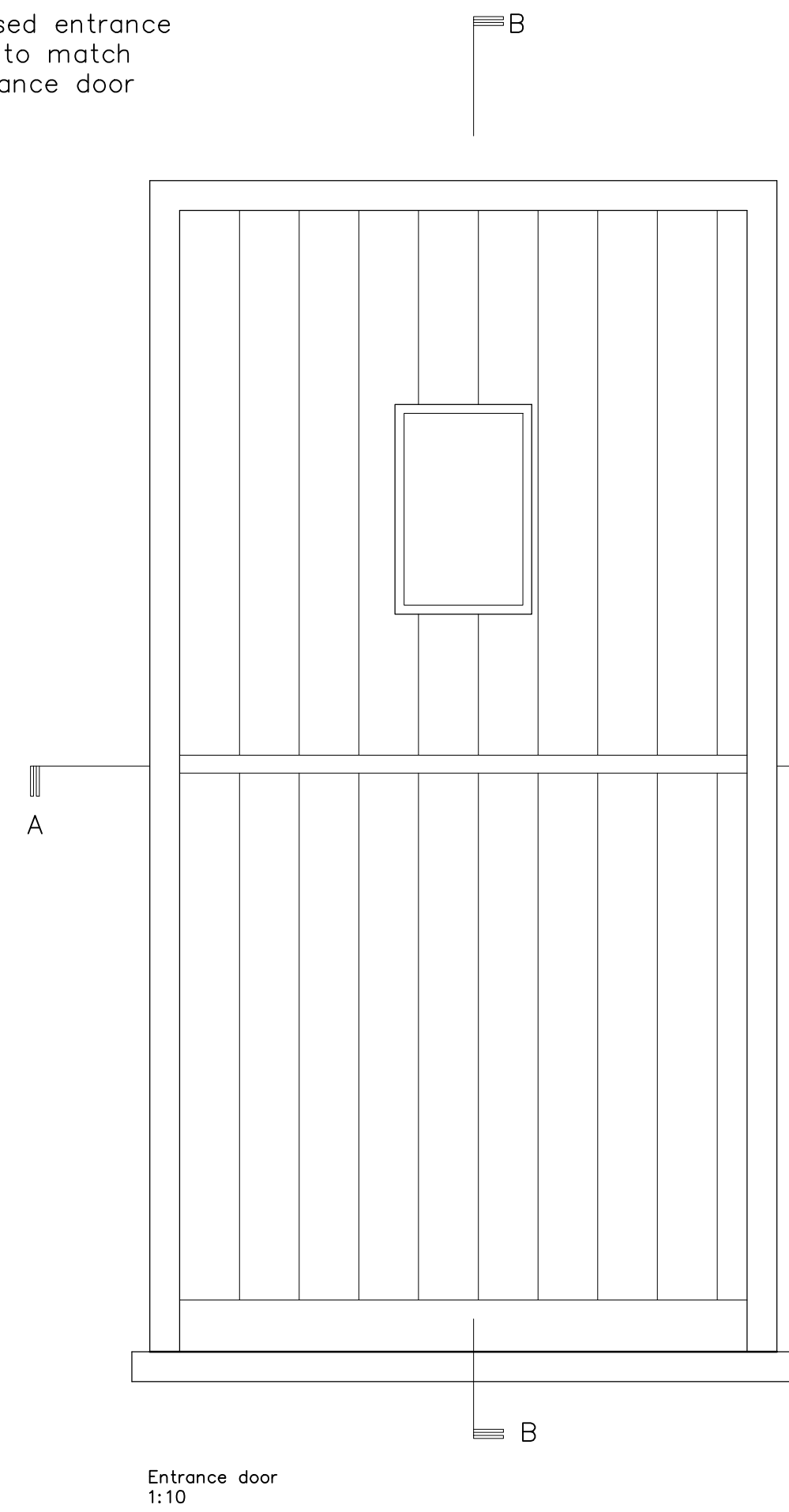


Note: Proposed entrance door details to match existing entrance door



| revision | description     | date       |
|----------|-----------------|------------|
| Rev A.   | Details updated | April 2021 |

Client: Mr Purcival

Job Title: Bridge Farm, Ash Street, Semer

Drawing Title: Proposed door and window details

Scale: 1:10 1:5    Drawn By: A1    Date: Jan 2021

Job Number: 6272    Drawing Number: 08A    Status: Preliminary



Chartered Architects & Chartered Building Surveyors  
18 Hatter Street, Bury St Edmunds, Suffolk, IP33 1NE  
01284 760421 info@whitworth.co.uk www.whitworth.co.uk

NOTE:  
Do not scale from this drawing. Confirm all dimensions on site. Refer any discrepancies to the Architect before work is put in hand. Read this drawing in conjunction with the relevant sections of the specification, schedule of works and other drawings.

This drawing is copyright of whitworth.