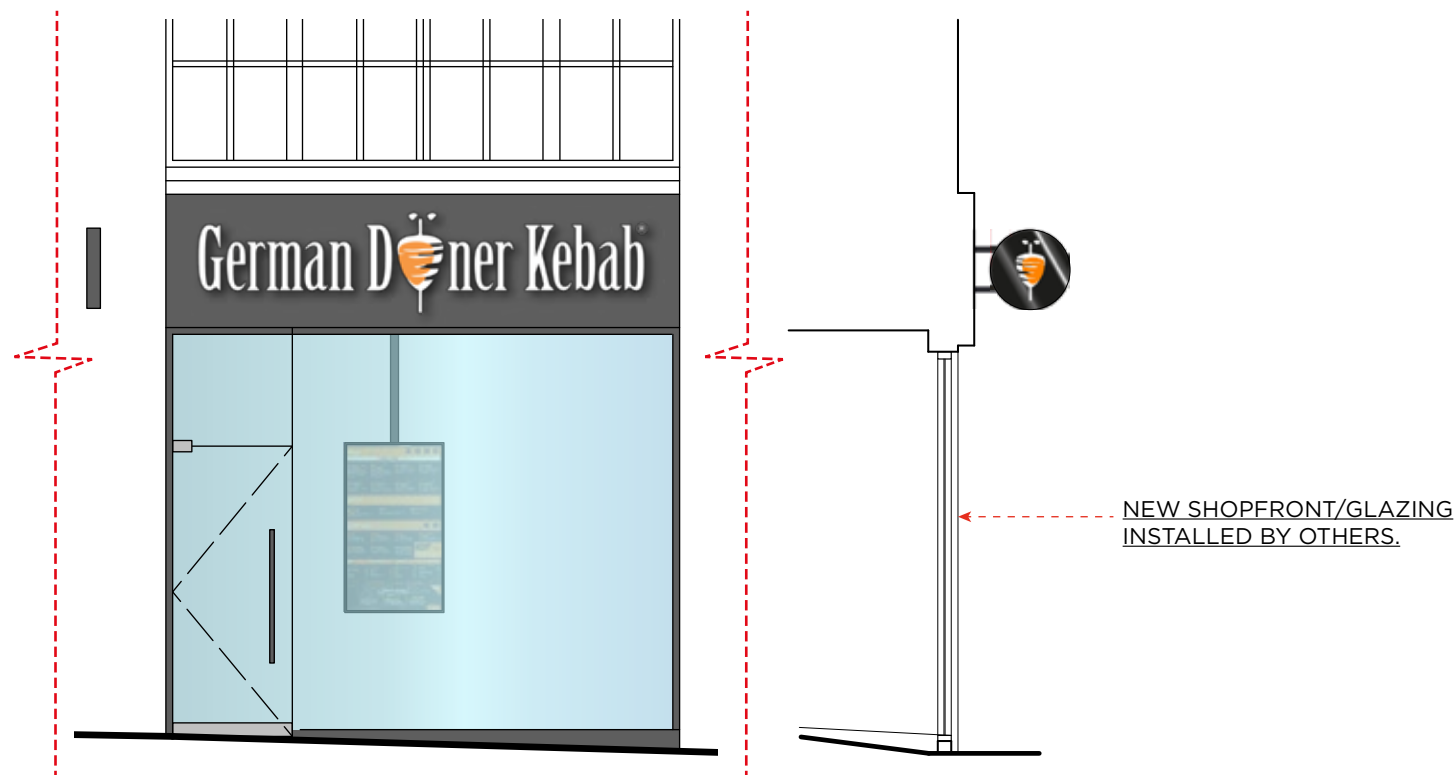


DWG No. A3/6422/01 sheet 01	rev - 0
DRAWN BY: F.P.	DATE: 28/04/21
SCALE: as shown @ A3	



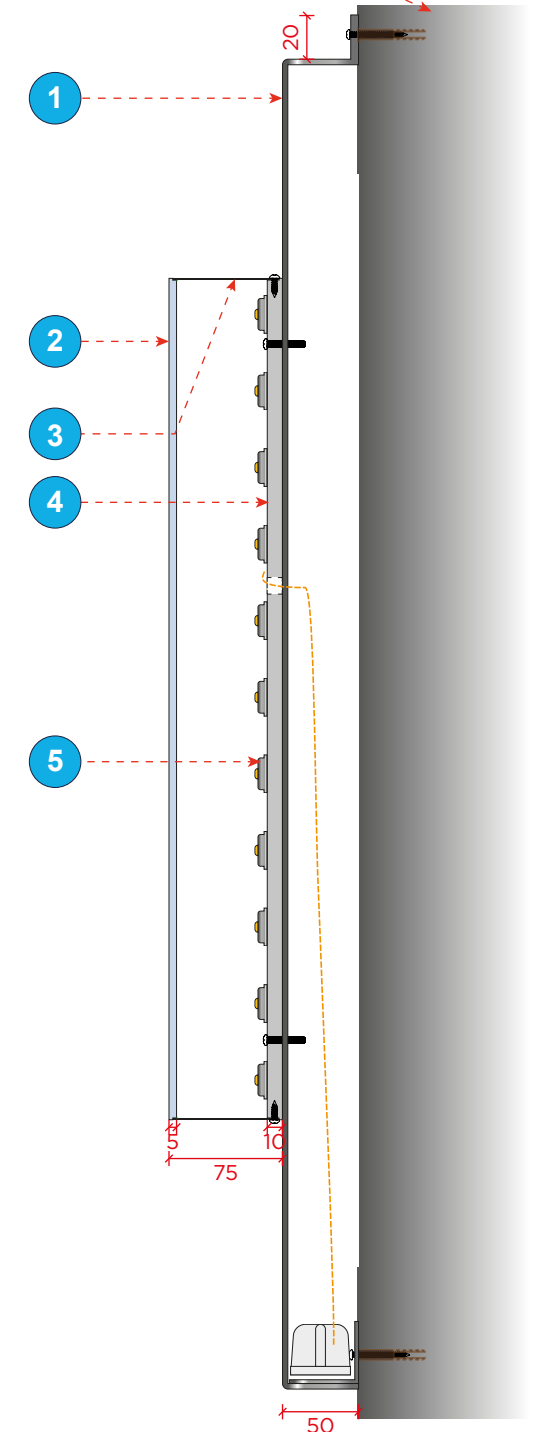
FACE ELEV. 1:25

ALL SIZES T.B.C.



HIGH STREET ELEVATION
INDICATIVE VISUAL N.T.S.

EXISTING BULKHEAD.



SECTION VIEW 1:5.

- 1 2.5mm thick alu' panels cut & folded with upstand to sizes shown & sprayed to Ral 9005 matt black fixed to fascia by way of alu' angle and 50mm sq. alu' box section along the bottom.
- 2 Text faces from 5mm thick 1TL2 opal perspex with step rebate to rear for returns, spit to be faced with translucent orange vinyl to match to MT-636.
- 3 1mm thick pre-painted matt black aluminium returns (matt white internally) bonded to perspex faces.
- 4 10mm thick black foamex backtrays faced with matt white vinyl.
- 5 White Optika 35 led's 6500k fitted to backtrays with 12V power supply to go through box section.

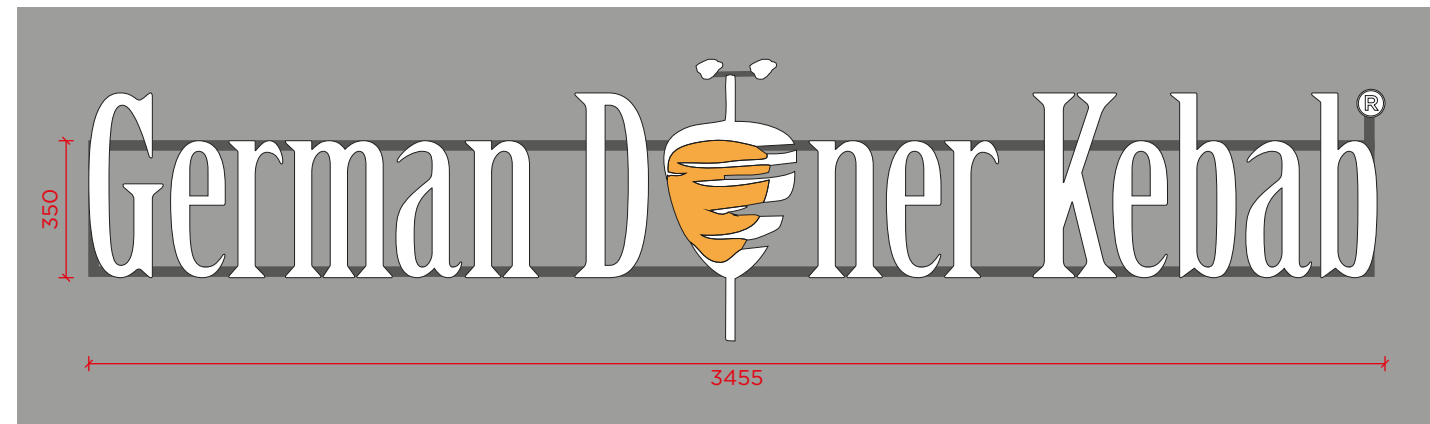


All acrylic to be 'PERSPEX'.

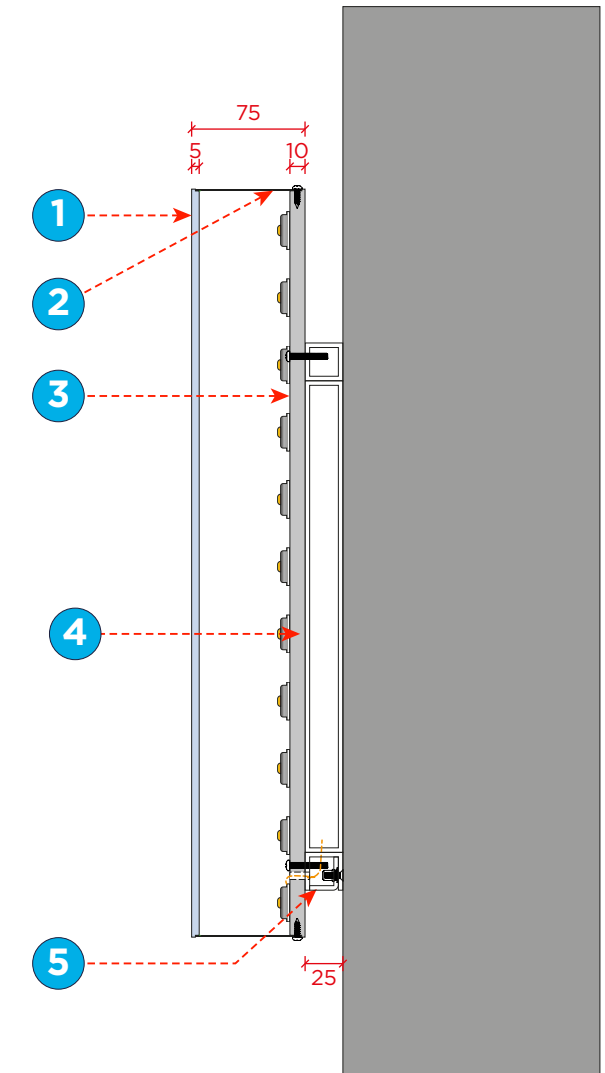
DWG No. A3/6422/02 sheet 02	rev - 0
DRAWN BY: F.P.	DATE: 28/04/21
SCALE: as shown @ A3	



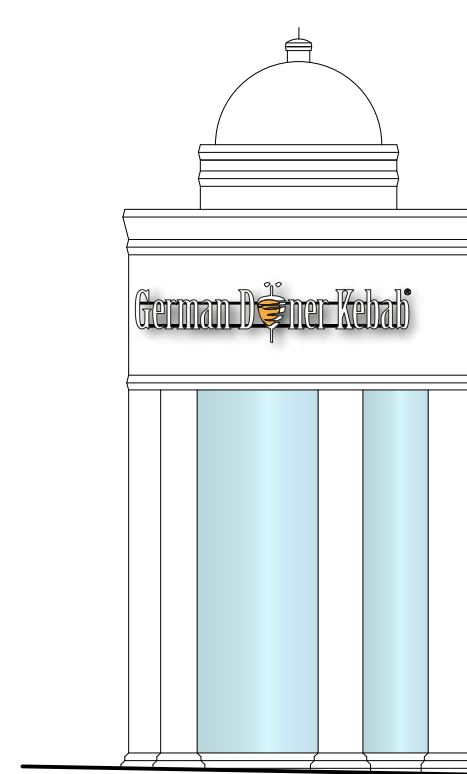
PLAN ELEV. 1:20



FACE ELEV. 1:20
SIZES T.B.C.



SECTION VIEW 1:5.



HIGH STREET ELEVATION
INDICATIVE VISUAL N.T.S.

- 1 Text faces from 5mm thick 1TL2 opal perspex with step rebate to rear for returns, spit to be faced with translucent orange vinyl to match to MT-636.
- 2 1mm thick pre-painted matt black aluminium returns (matt white internally) bonded to perspex faces.
- 3 10mm thick black foamex backtrays with a step rebate and faced with matt white vinyl.
- 4 White Optika 35 led's 6500k fitted to backtrays with 12V power supply to go through box section.
- 5 25mm sq. 3mm wall alu' box section supporting framework to be sprayed Ral 9005 matt black.



All acrylic to be 'PERSPEX'.