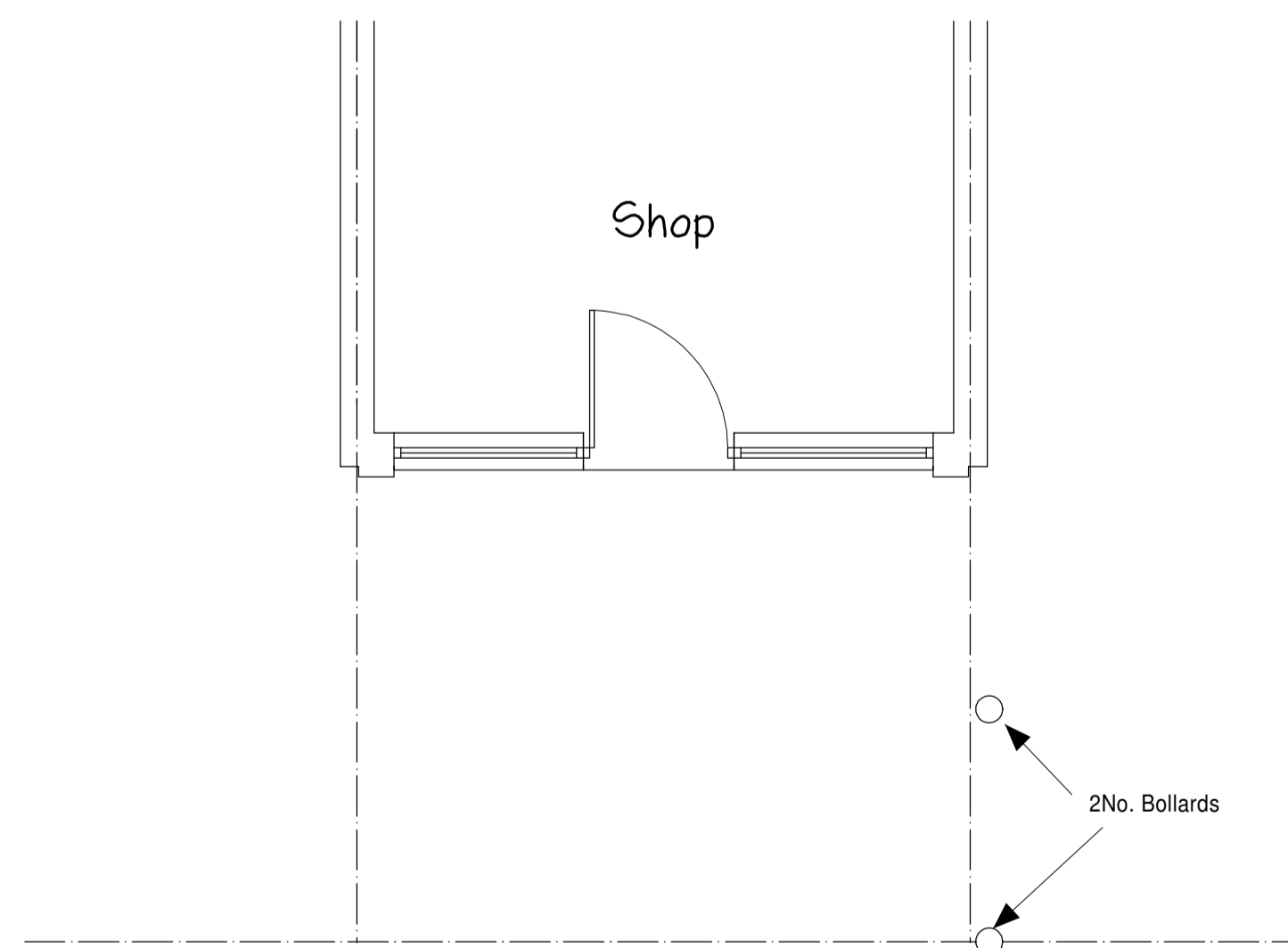
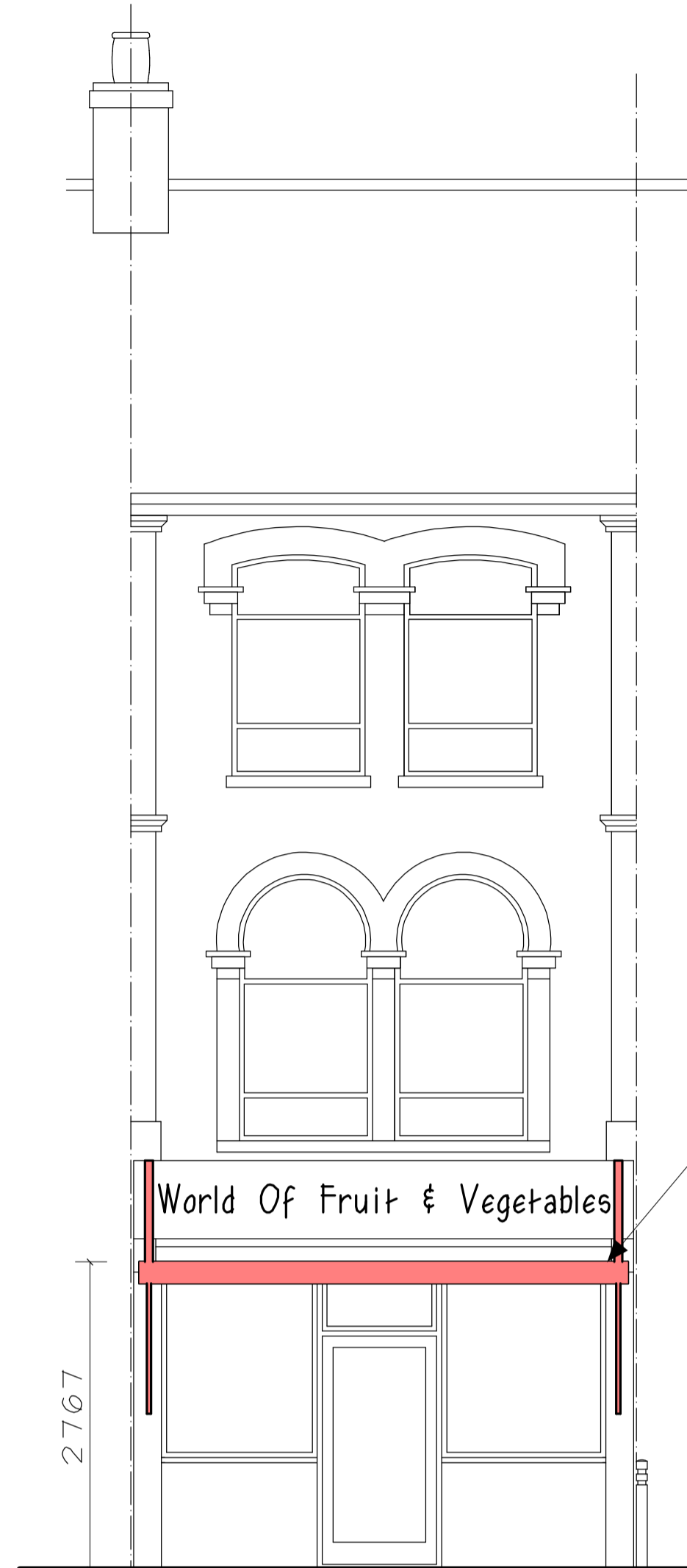


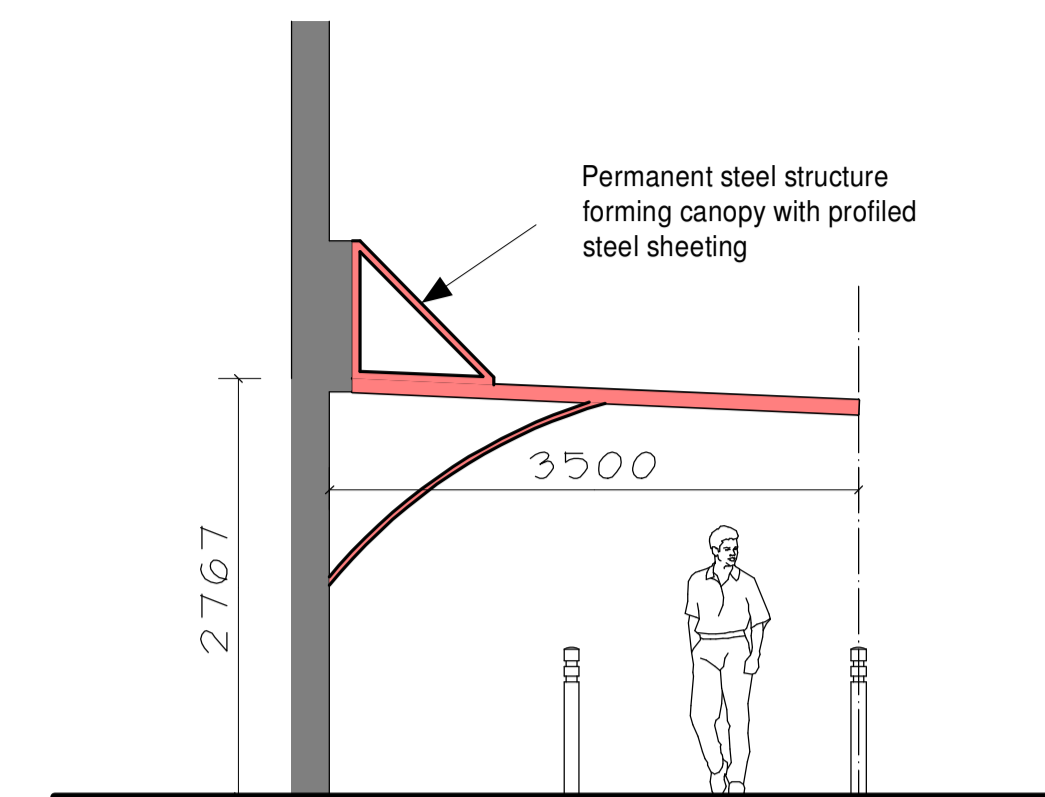
South Elevation
EXISTING



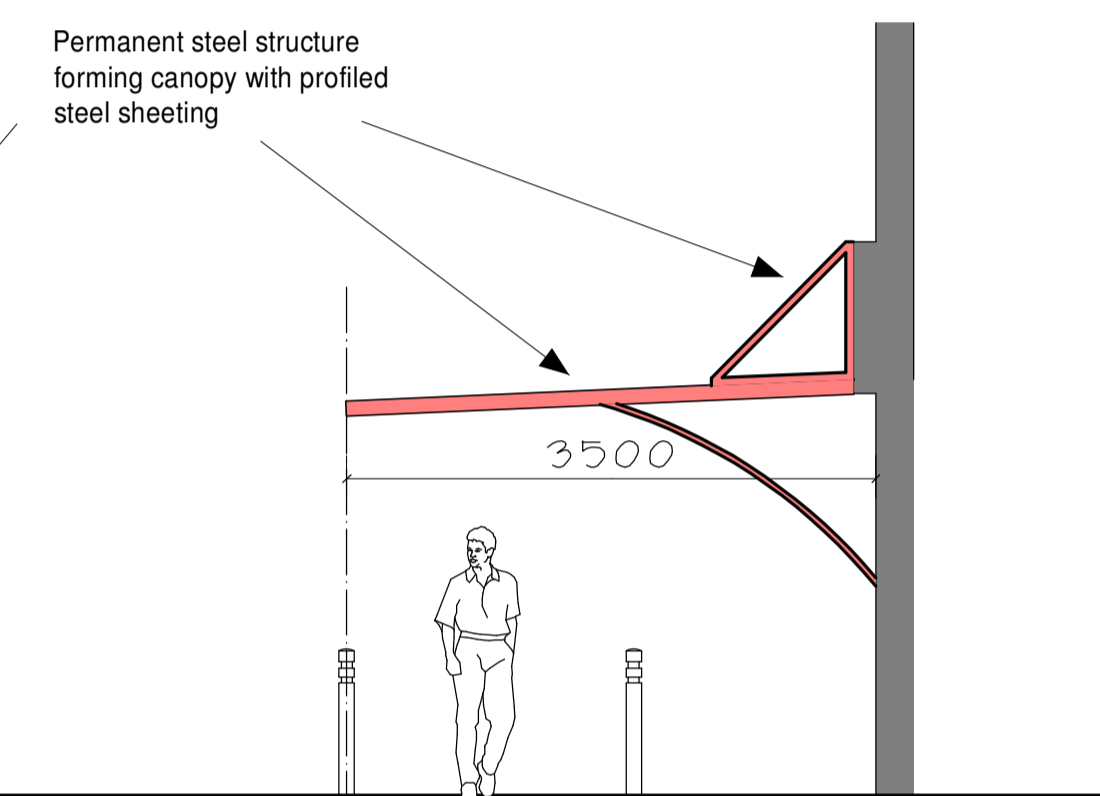
Ground Floor Plan



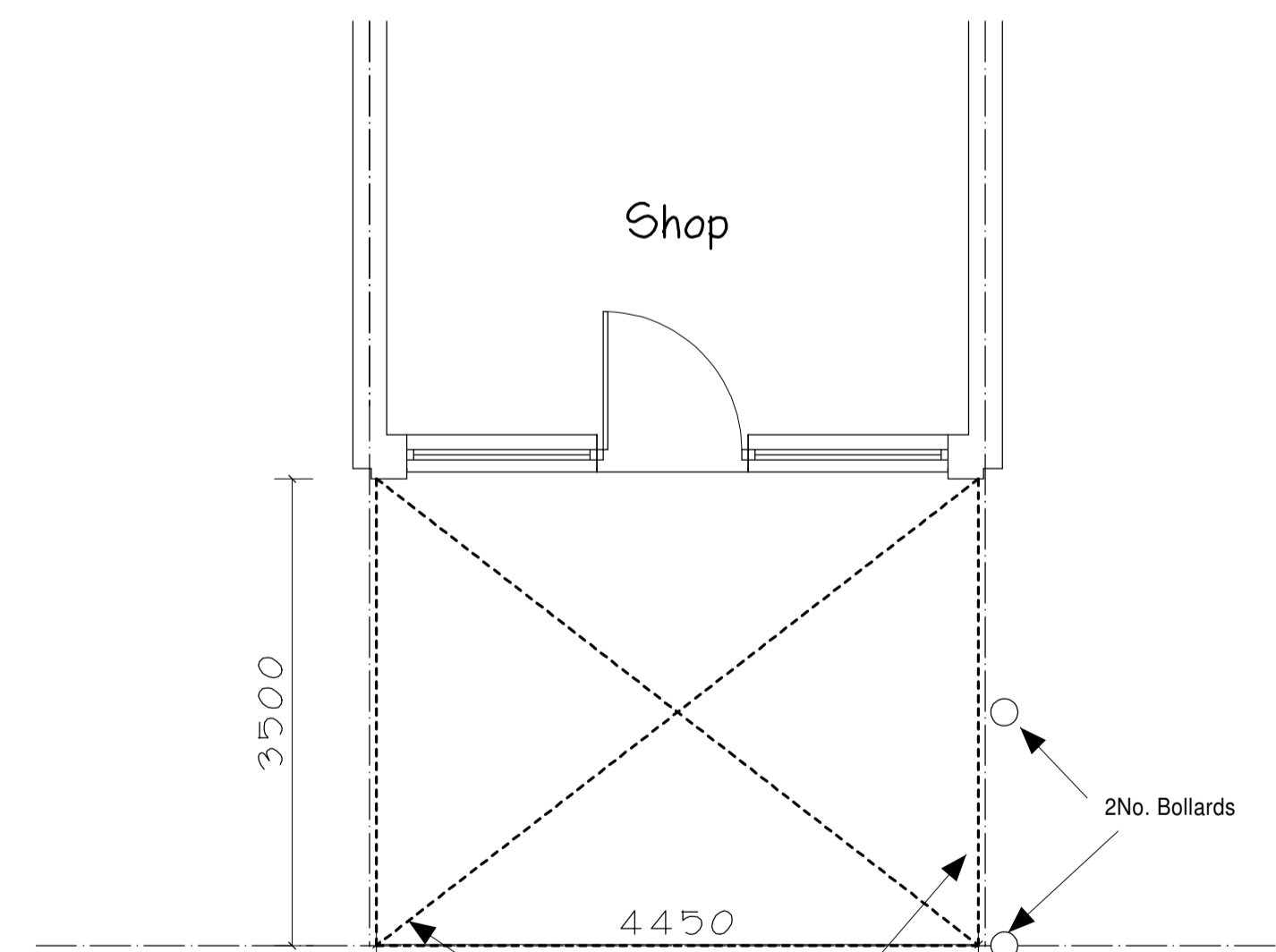
South Elevation
PROPOSED



West Elevation



East Elevation
PROPOSED



Ground Floor Plan

NOTES:
The project to which this drawing applies requires Planning and Building Regulations Approvals prior to commencement of any works on site. Works carried out without prior Approvals are at the clients own risk. All dimensions and angles must be checked on site and not scaled from this drawing. The project to which this drawing applies should, if applicable, be undertaken in full compliance with the C.D.M. Regulations 2015, under the control of a client appointed planning supervisor.

Client World Of Fruit & Vegetables

Job Title
Proposed Canopy
188 Spring Bank
Hull
HU3 1PG

WRIGHT DESIGN
18, WESTWICK, SHERIFF HIGHWAY, HEDON, HULL, HU12 8HQ
Tel: 01482 297078 Mobile: 07419997167
Email: dwright@wrightdesignhull.co.uk

Date	28/1/20	Drw. No.	
Drawn	DGW		3769/P1
Scale	1:50 @ A1		

