

1 Ebenezer Cottages

NOTES:

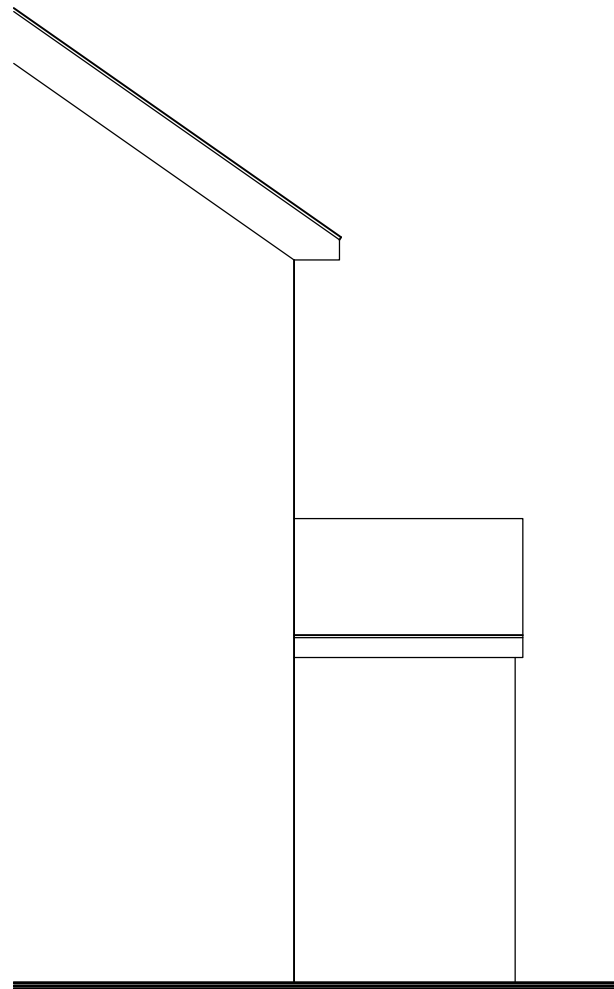
THIS DRAWING IS THE COPYRIGHT OF THE ARCHITECTS AND MUST NOT BE REPRODUCED WITHOUT PERMISSION.

WHERE AN ITEM IS ADDRESSED WITHIN A DRAWING OF DIFFERENT SCALES, THE LARGER SCALE DRAWING IS TO BE WORKED TO.

SCALE FOR PLANNING PURPOSES ONLY, INDICATED DIMENSIONS ARE TO BE WORKED TO AT ALL TIMES.

ALL DIMENSIONS AND TOLERANCES ARE TO BE CHECKED ON SITE. ANY DISCREPANCIES ARE TO BE NOTIFIED TO THE ARCHITECTS BEFORE PROCEEDING.

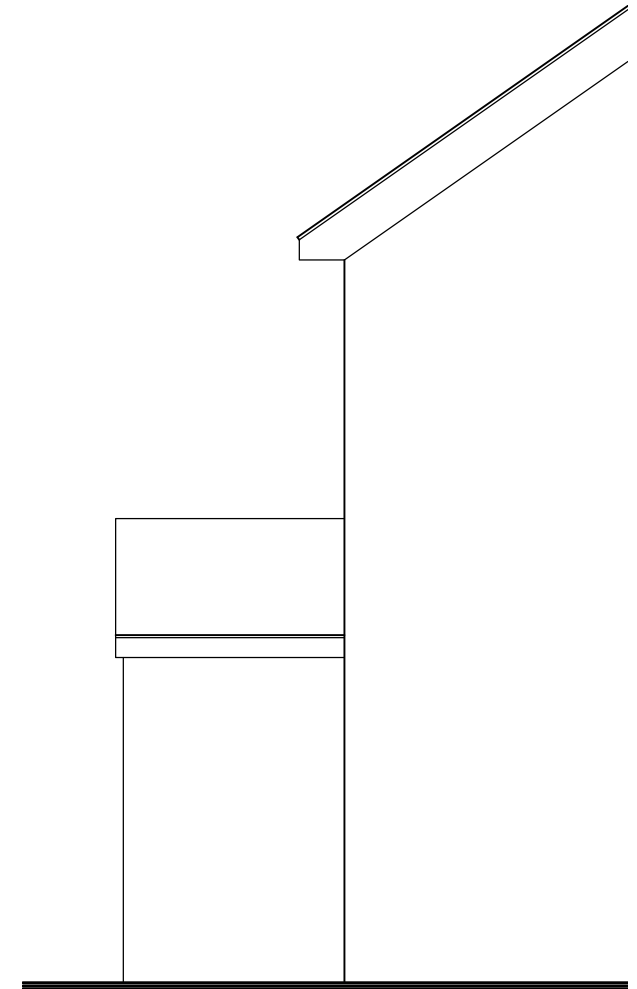
IF ANY WORKS DEVIATE FROM THAT WHICH IS DRAWN, THE ARCHITECTS MUST BE NOTIFIED AND COMPLIANCE WITH LOCAL PLANNING POLICY, AND THE BUILDING REGULATIONS MUST BE SOUGHT.



1 Existing West Elevation
1 : 50



2 Existing South Elevation
1 : 50



3 Existing East Elevation
1 : 50

| Revision: | Description: | Date: |
|-----------|--------------|-------|
| | | |