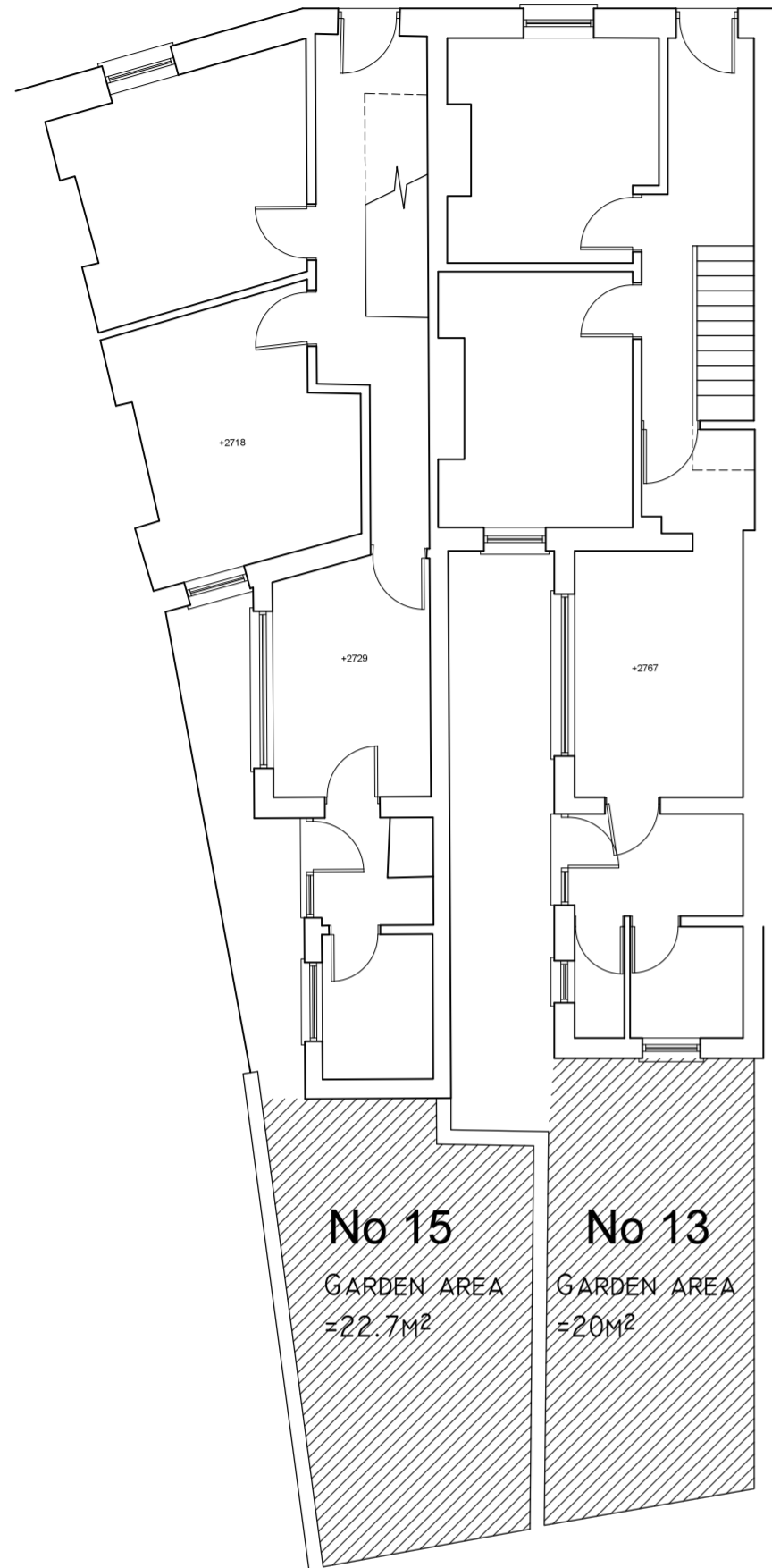
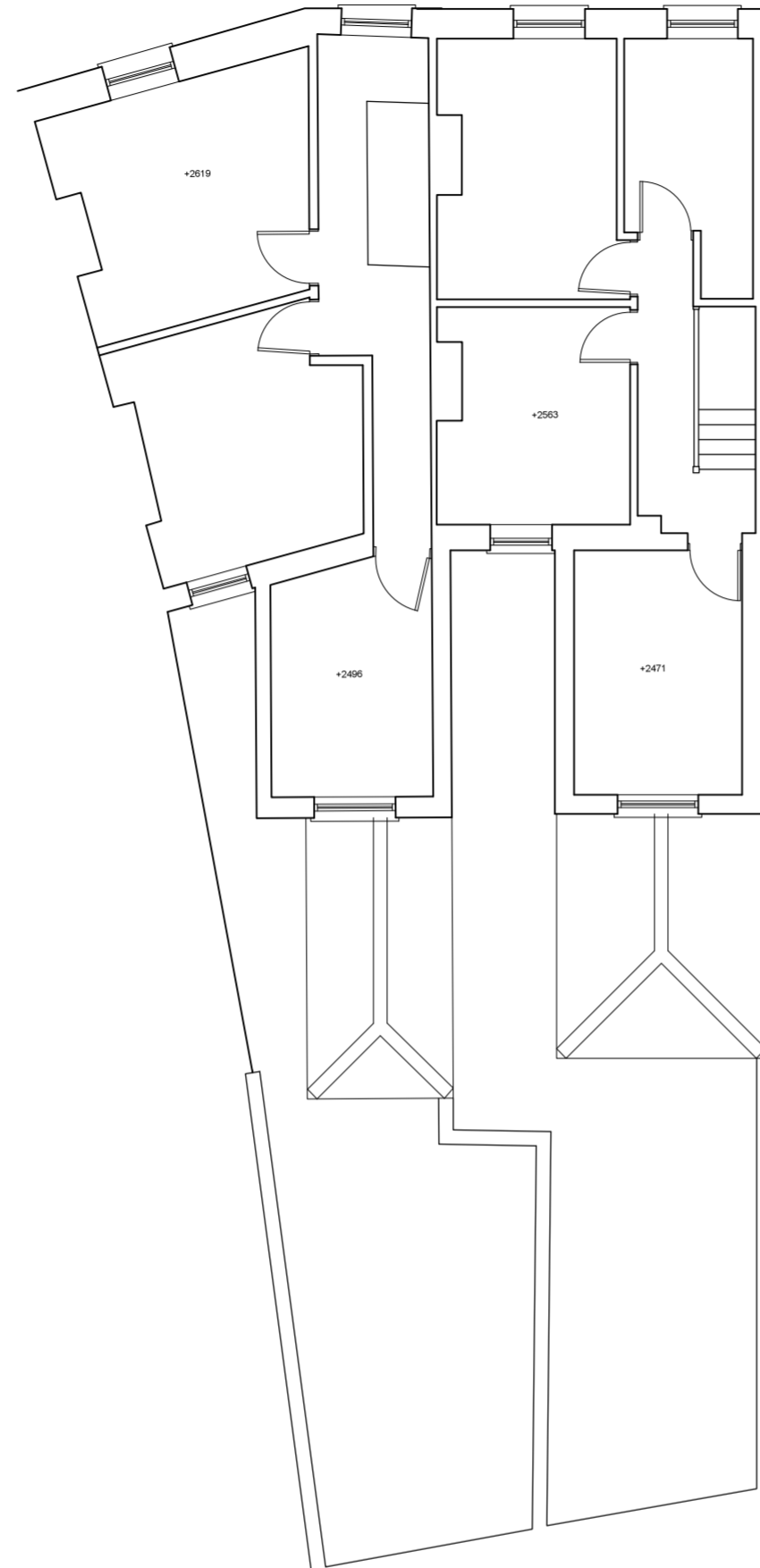


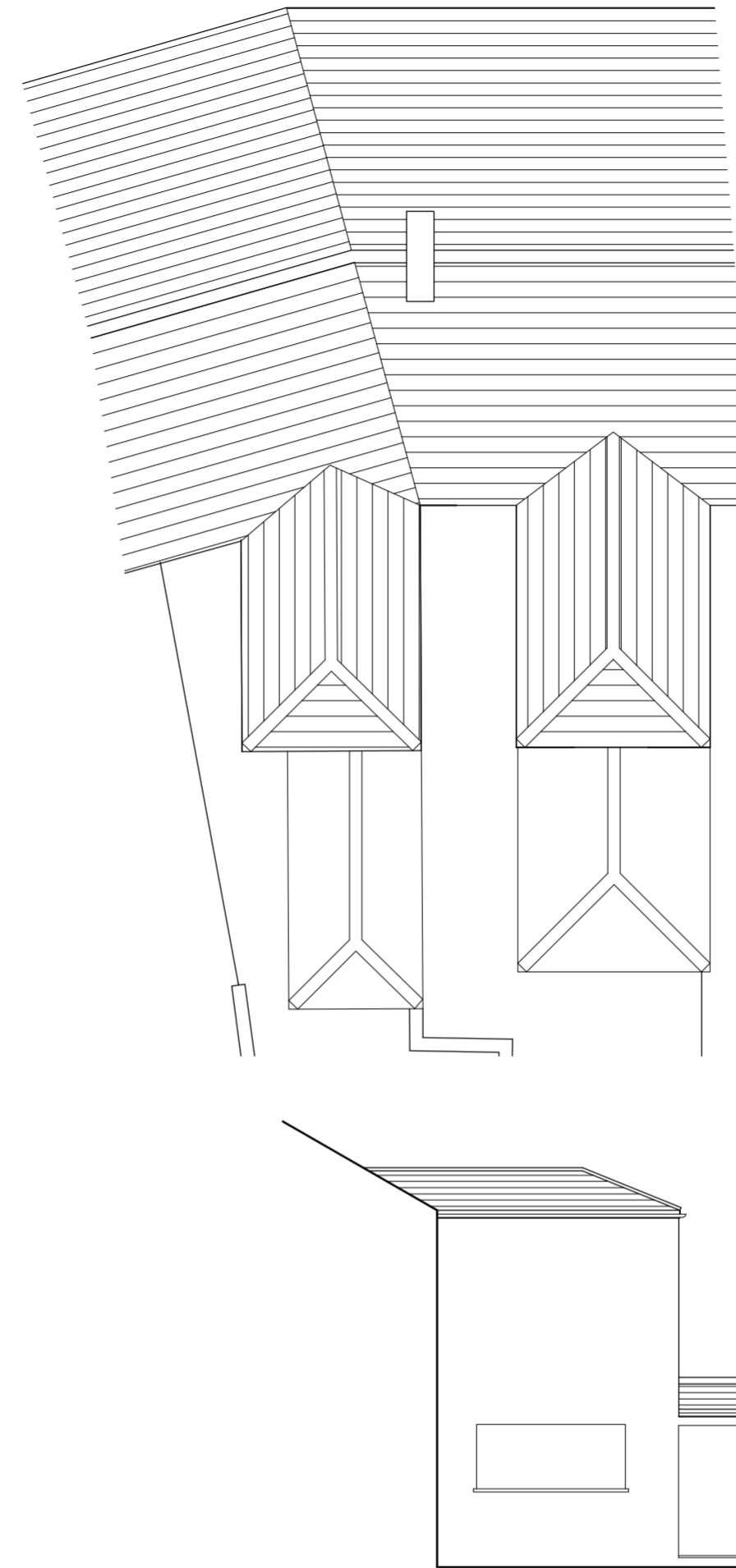
Existing Ground Floor Plans
scale 1:100



Existing First Floor Plans
scale 1:100



Existing Roof Plans
scale 1:100



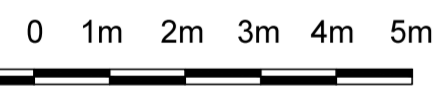
This drawing is copyright of Steve Jackson Design Associates, no unauthorised copying without prior consent.
All dimensions are to be checked on site and the Architect notified of any discrepancies.
Do not scale from this drawing for construction purposes.
All levels and dimensions are approximate



Location Plan
scale 1:1250

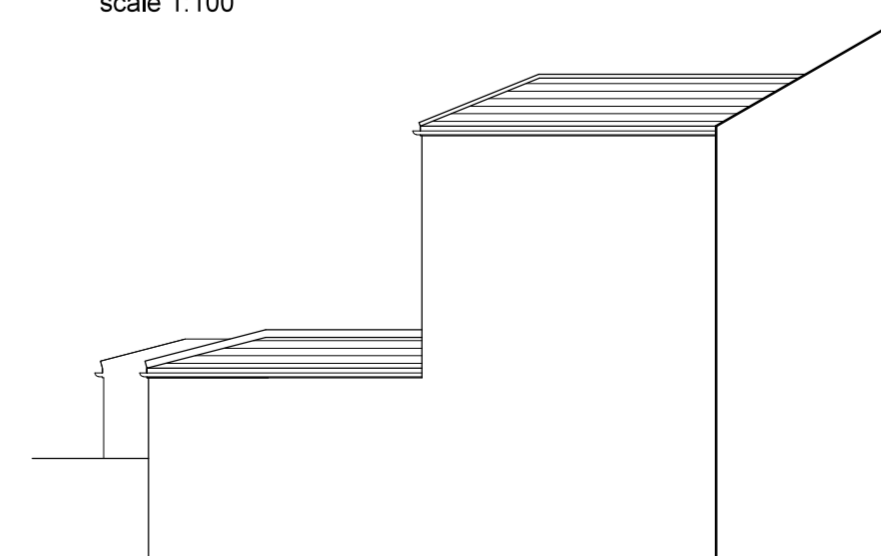


Existing gutter with number 11



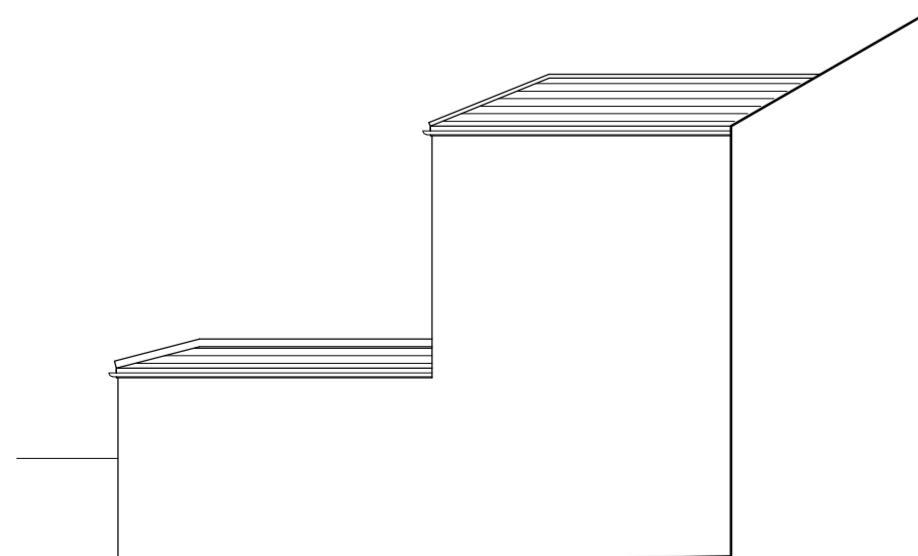
Existing Side Elevation

(no 13)
scale 1:100



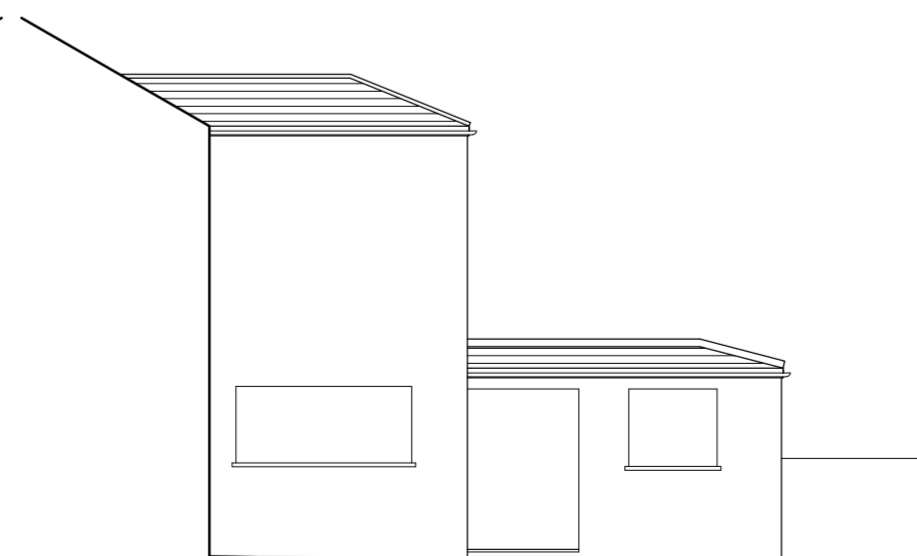
Existing Side Elevation

(no 15)
scale 1:100



Existing Side Elevation

(no 15)
scale 1:100



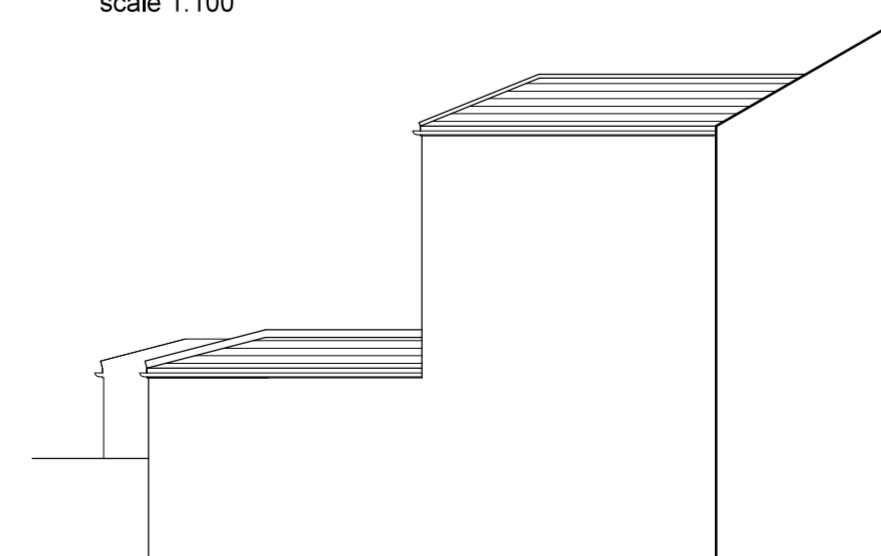
Existing Rear Elevation

scale 1:100



Existing Side Elevation

(no 13)
scale 1:100



STEVE JACKSON DESIGN ASSOCIATES

PHILPOT HOUSE | STATION ROAD | RAYLEIGH | ESSEX | SS6 7HH
T: (01268) 745 069 E: OFFICE@STEVEJACKSONDESIGN.CO.UK

Client: MR J WINTER

Location:
13 RUSSELL STREET
CARDIFF
CF24 3BG

Project:
EXISTING
PLANS AND ELEVATIONS

Drawn: AM Checked: Date: APR 16

Scale: AS SHOWN Drawing Size: A2

Drawing No: 0416181-EX02

Revision