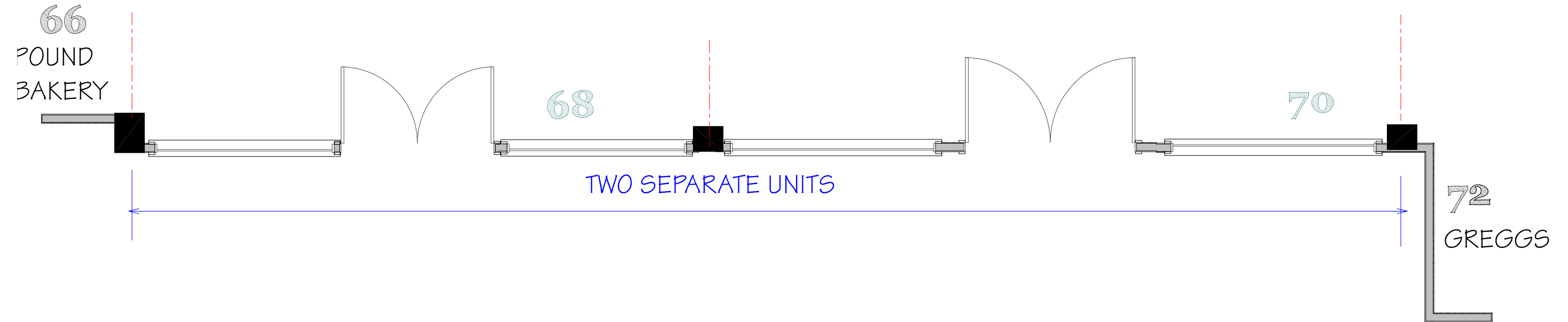


PROPOSED DRAFT COPY 1



**ALOKO PROPERTIES
68 and 70
CHURCH STREET
BLACKPOOL FY1 1HP
SHOPFRONT CHANGES
MAY 3rd 2021
DRG.No.AL/CH/BL/002**

002 of 3

1:50 @ A3