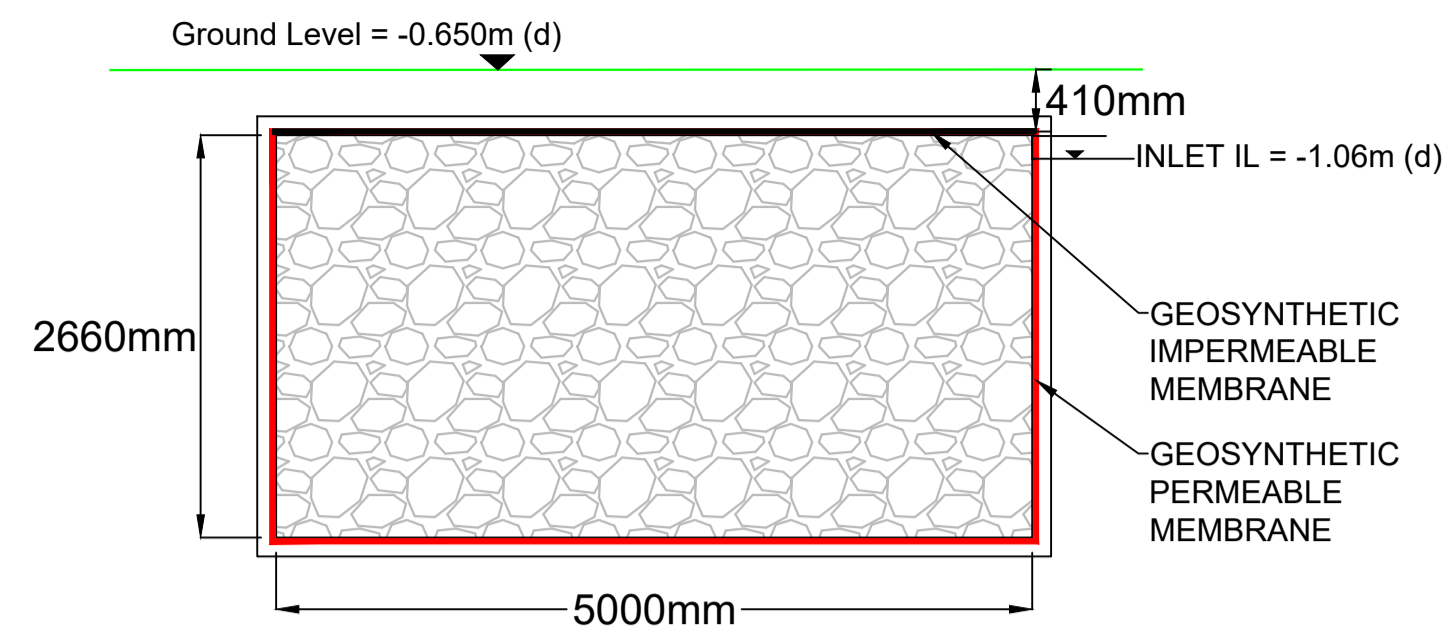
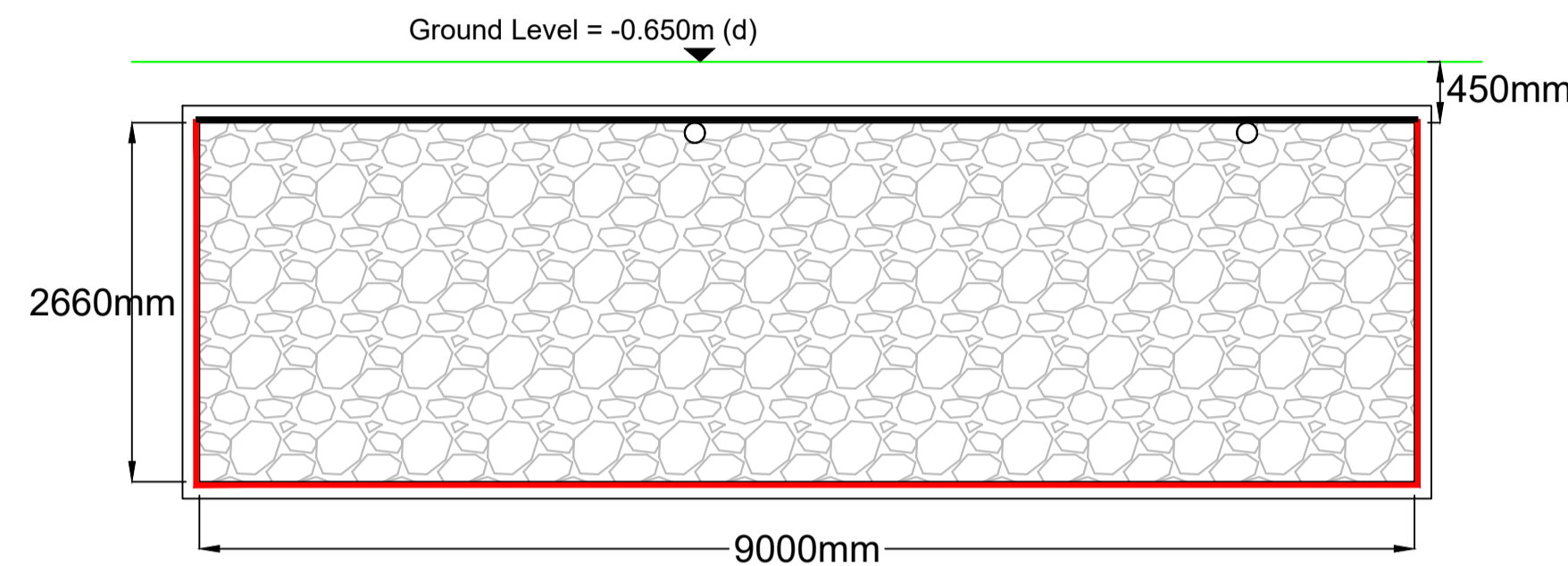


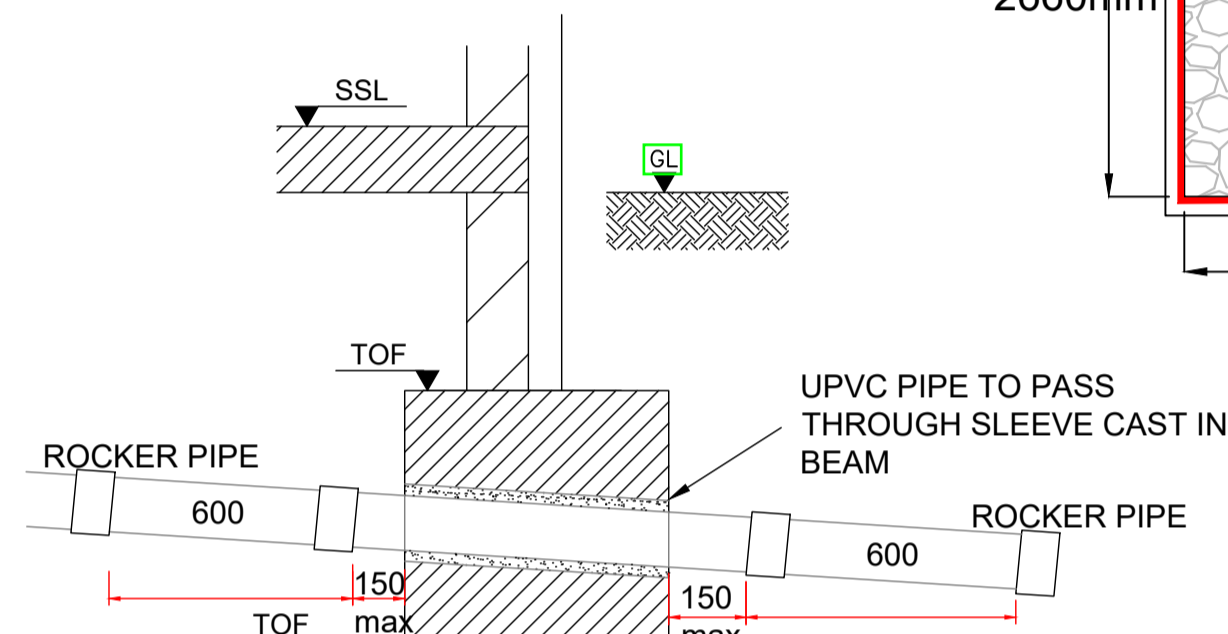
SOAKAWAY
PLAN
SCALE 1:50



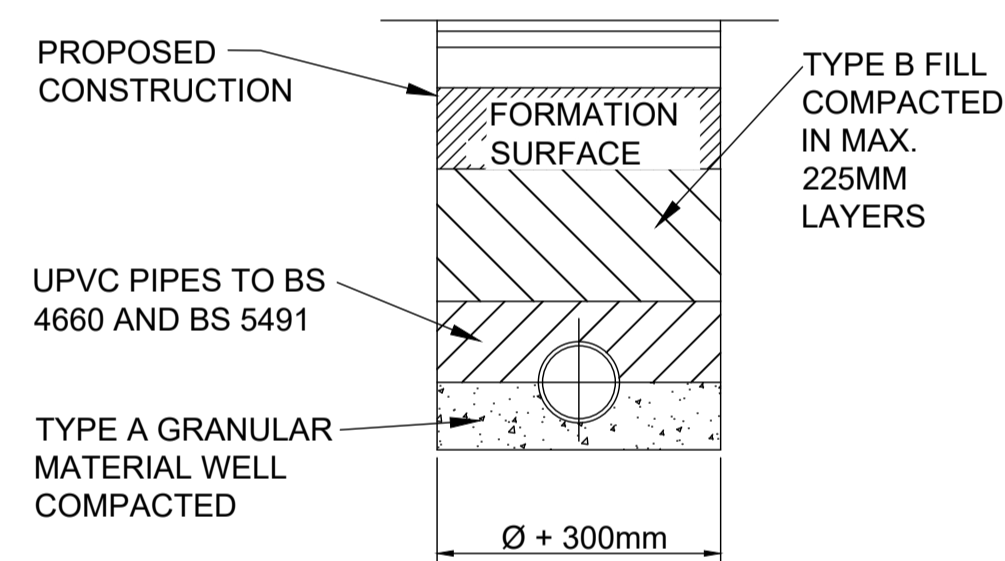
SOAKAWAY
SECTION A-A
SCALE 1:50



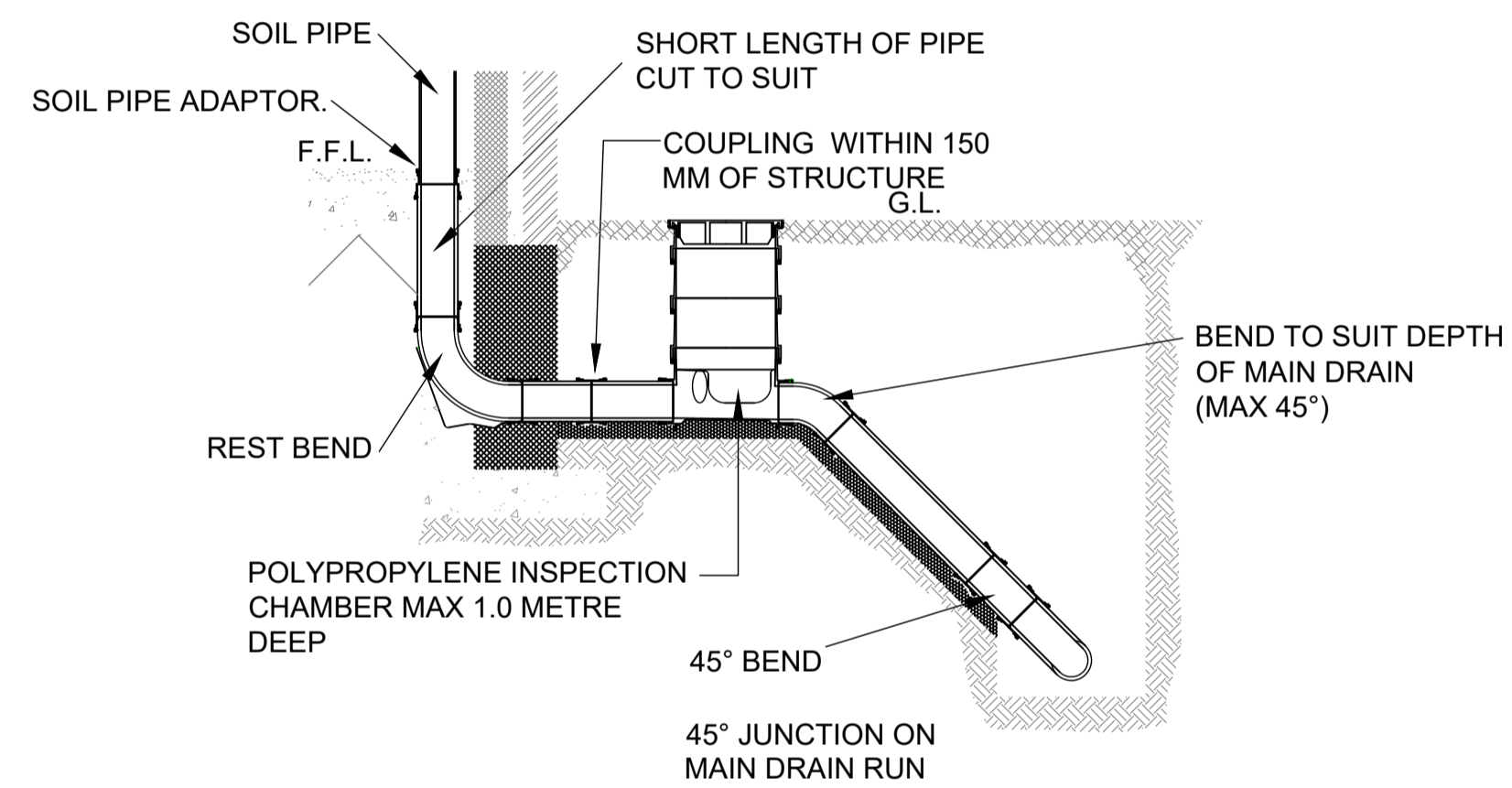
SOAKAWAY
SECTION B-B
SCALE 1:50



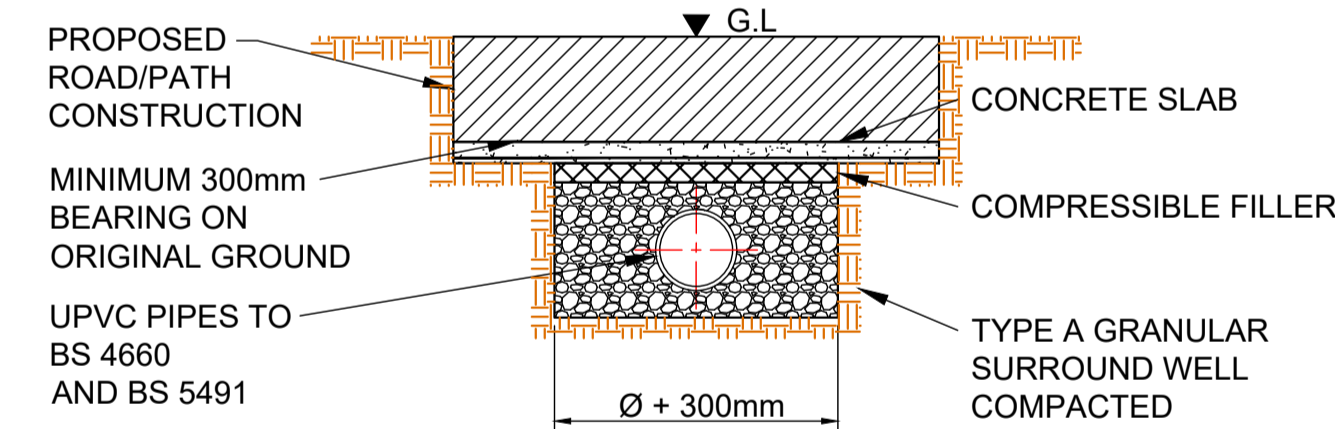
DETAIL OF DRAIN PASSING
THROUGH GROUND BEAM OR
OTHER STRUCTURE



TYPICAL PIPE BEDDING DETAIL
(UPVC PIPES)

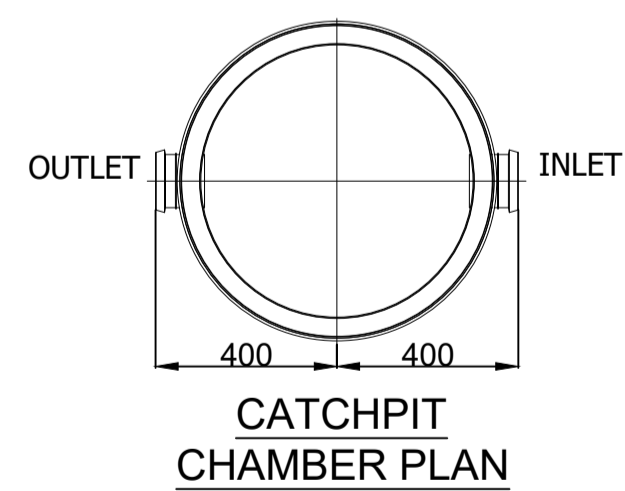


SHALLOW INSPECTION CHAMBER DETAIL

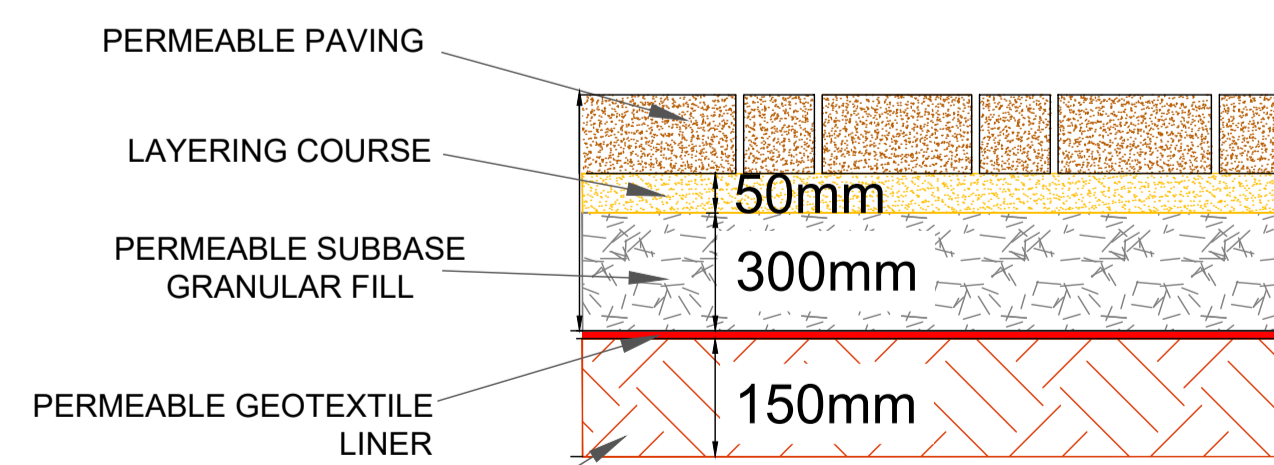


PROTECTION FOR PIPES LAID AT
SHALLOW DEPTHS
(UPVC PIPES)

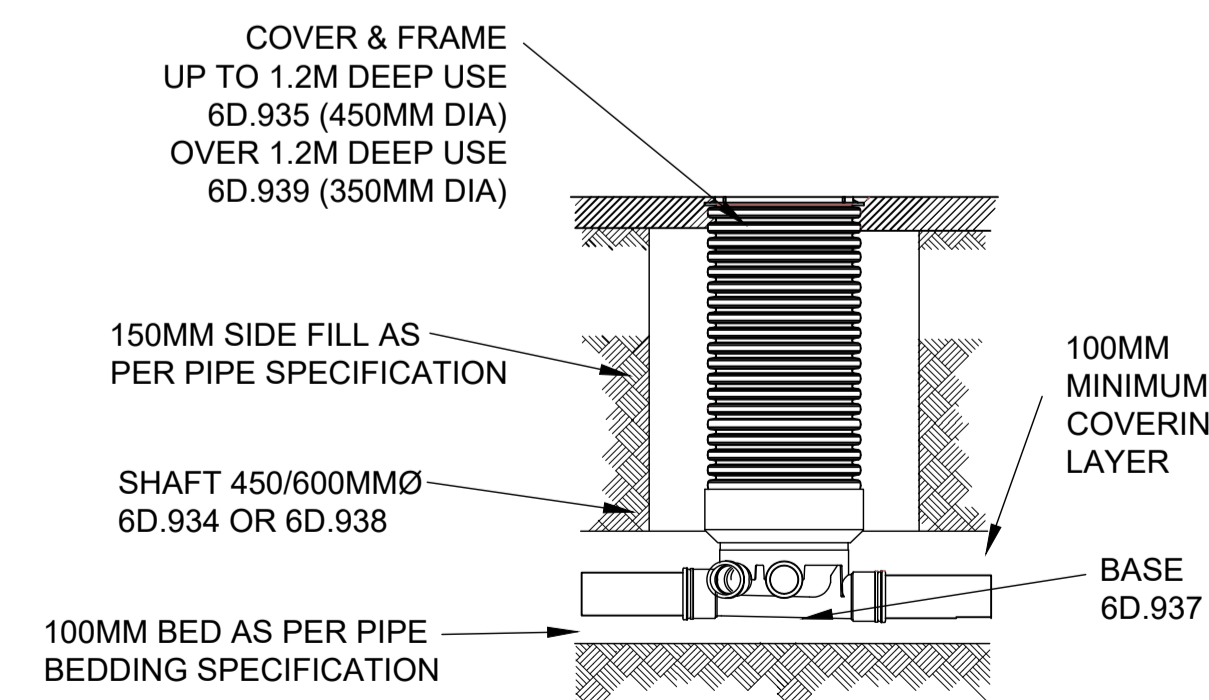
TRENCH BEDDING AND FILL MATERIALS								
GRANULAR BEDDING TYPE A								
TYPE	USE FOR NOMINAL PIPE (DIA.)	% PASSING BY MASS BS 410 SIEVE SIZES (mm)						
		63	37.5	20	14	10	5	2.36
A40	>1350	100	85-100	0-25	0-5	0-5	0-5	0-5
A20	600-1350	100	85-100	0-25	0-5	0-5	0-5	0-5
A14	300-525	100	85-100	0-50	0-10	0-25	0-5	0-5
A10	<300	100	85-100	0-25	0-5	0-5	0-5	0-5



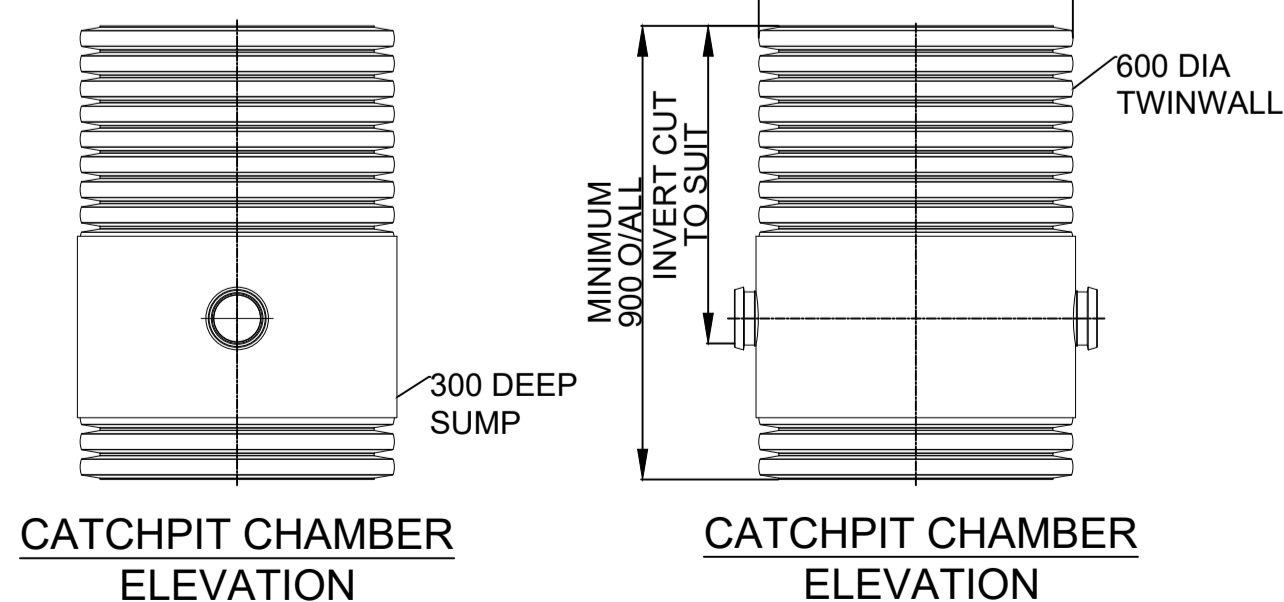
CATCHPIT
CHAMBER PLAN



PERMEABLE PAVING
CROSS-SECTION
N.T.S.



TYPICAL INSPECTION CHAMBER DETAIL
(WITHIN PRIVATE LAND)



CATCHPIT CHAMBER
ELEVATION

CATCHPIT CHAMBER
ELEVATION

IMPORTANT

THIS DRAWING IS TO BE CHECKED ON SITE BY THE CONTRACTOR PRIOR TO THE COMMENCEMENT OF THE WORKS. ANY DISCREPANCY MUST BE REPORTED TO THE ENGINEER.
NO DEVIATION MAY BE MADE FROM THE CONTENTS OF THIS DRAWING WITHOUT PRIOR PERMISSION FROM THE ENGINEER.
THIS DRAWING IS TO BE REMOVED FROM CURRENCY IMMEDIATELY AFTER A REVISED EDITION HAS BEEN ISSUED.
ALL RIGHTS DESCRIBED IN CHAPTER IV OF THE COPYRIGHT DESIGN ACTS 1988 HAVE BEEN GENERALLY ASSERTED.

REV	DATE	DRAWN	DESCRIPTION	CHECK	APPR.
A	07-04-21	FG	For Information	SL	SL

PROJECT:
BATTLEERS GREEN FARM

TITLE:
SURFACE WATER NETWORK & SuDS DRAINAGE DETAILS

CLIENT:
CAF CONSTRUCTION LTD

Nimbus
ENGINEERING CONSULTANTS
www.nimbusengineering.co.uk
info@nimbusengineering.co.uk

CHECKED BY:	DATE:	APPROVED BY:	DATE:
S.L	07-04-21	S.L	07-04-21
DRN BY:	SCALE:	DRAWING NUMBER:	REV:
F.G	1:50	C2486-02	A
DATE:	SIZE:		
07-04-21	A1		