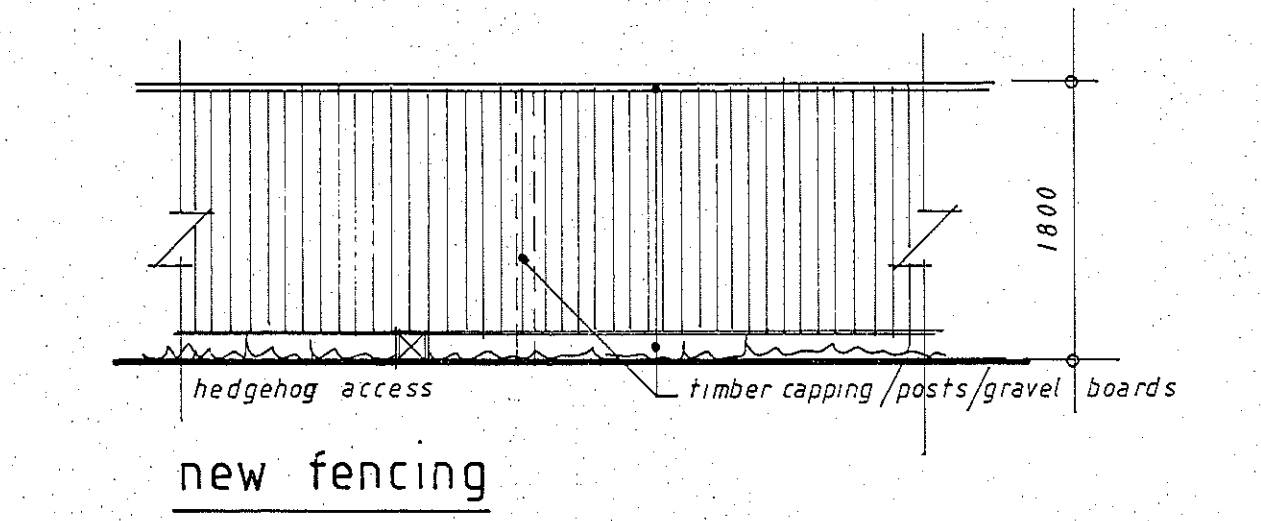
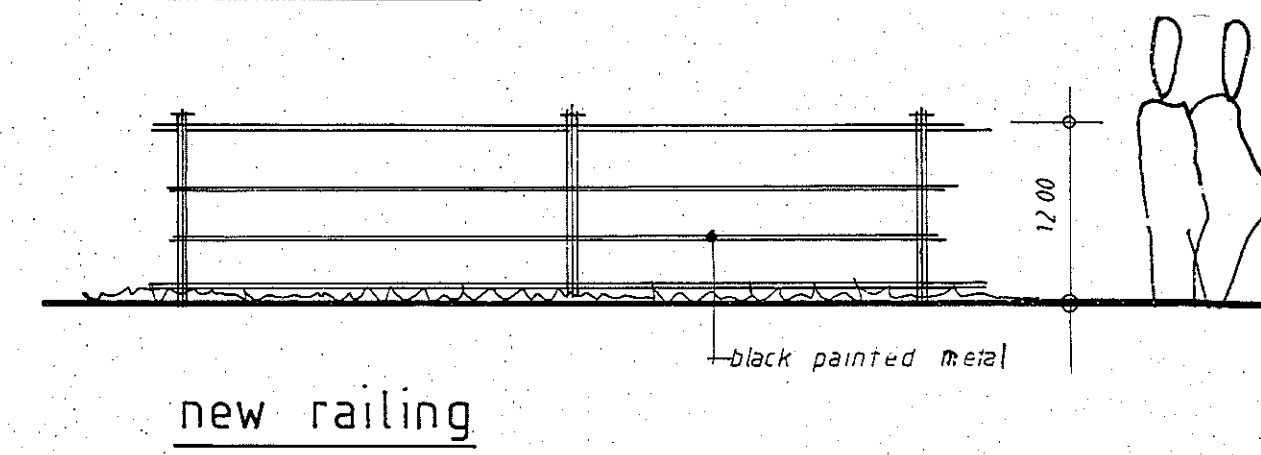
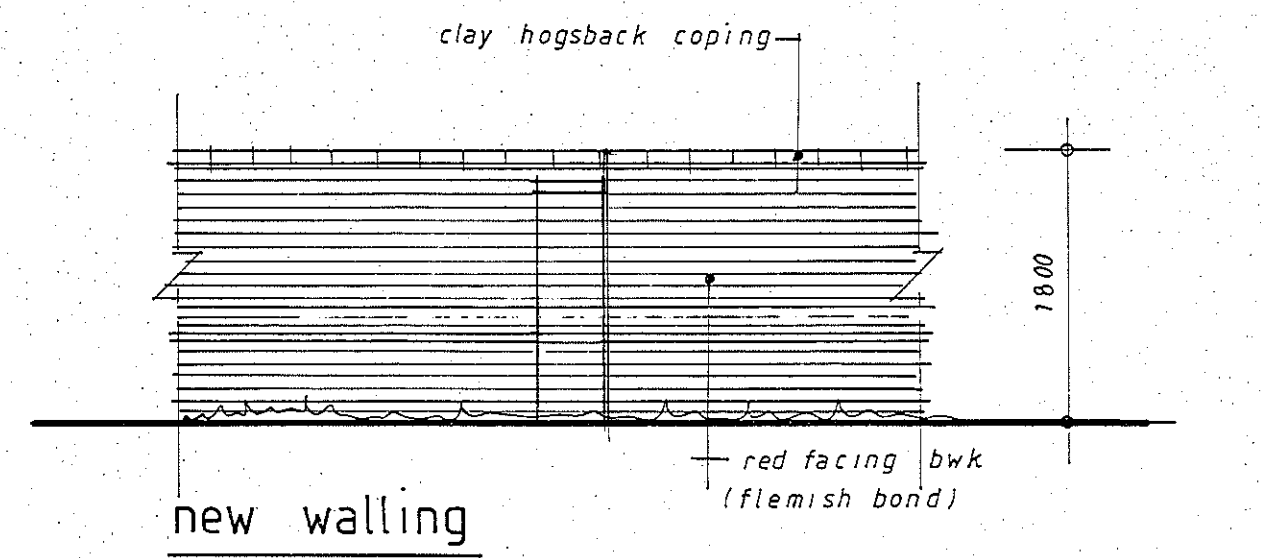
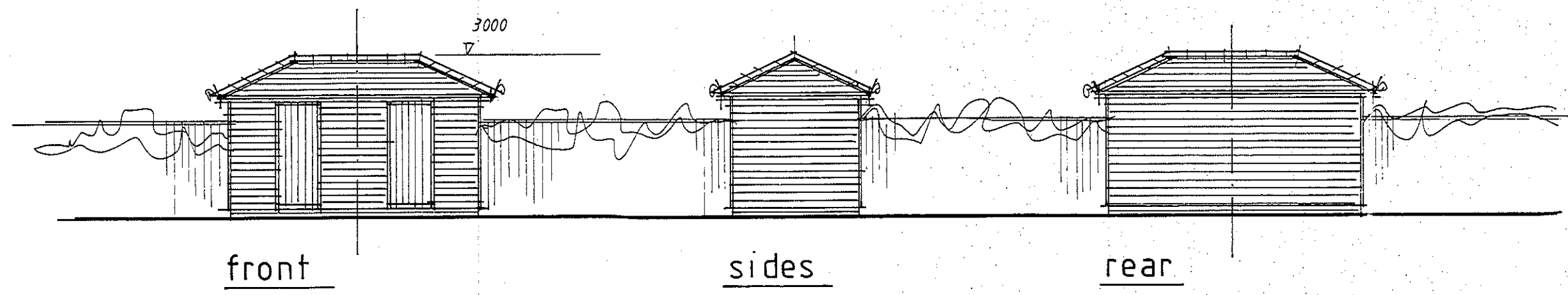
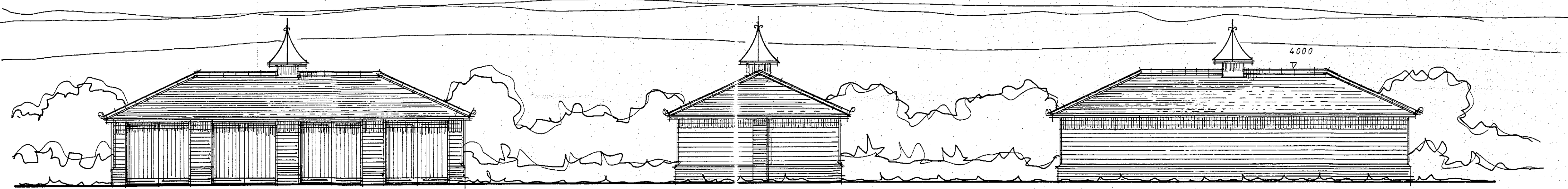
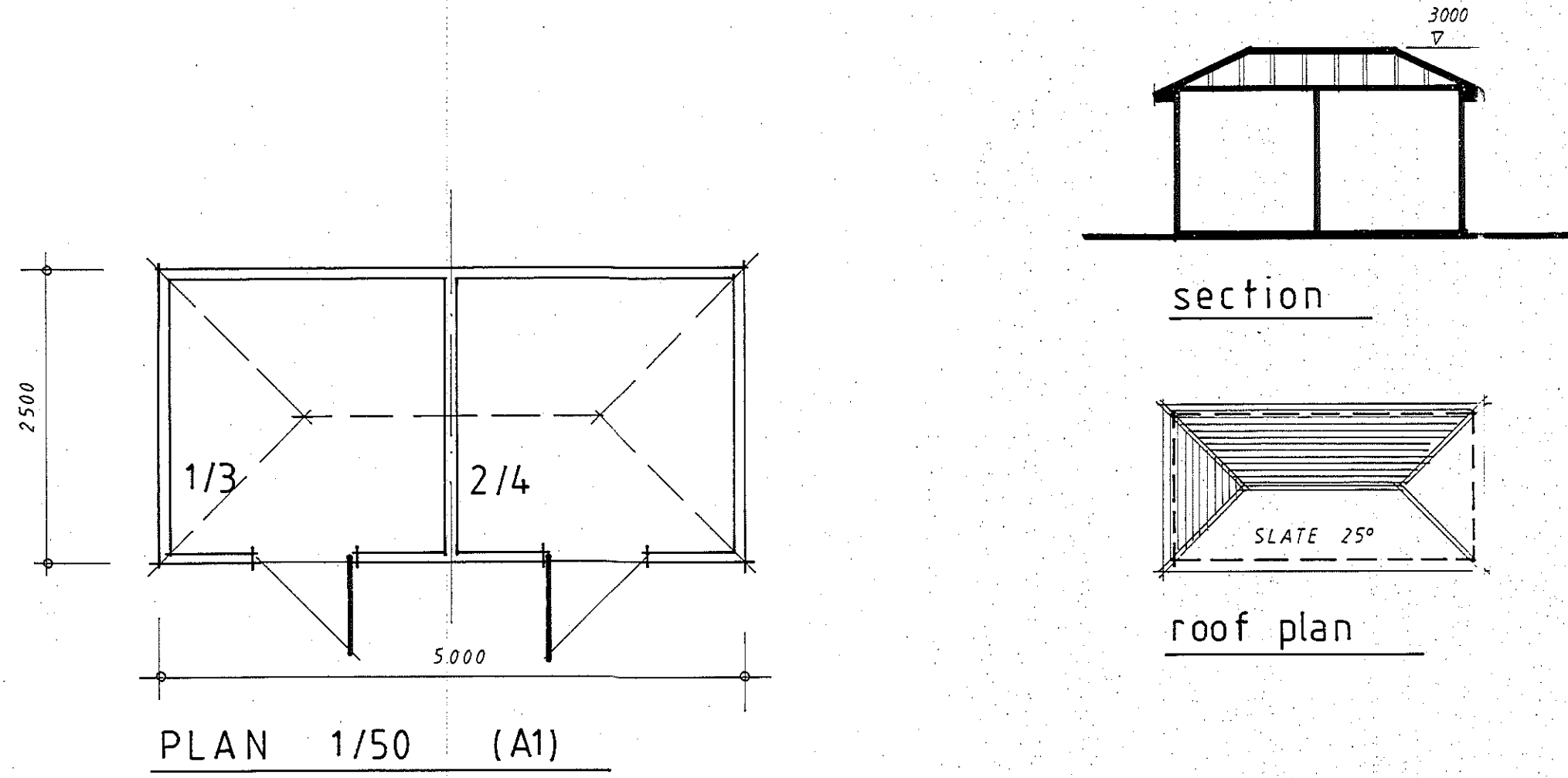


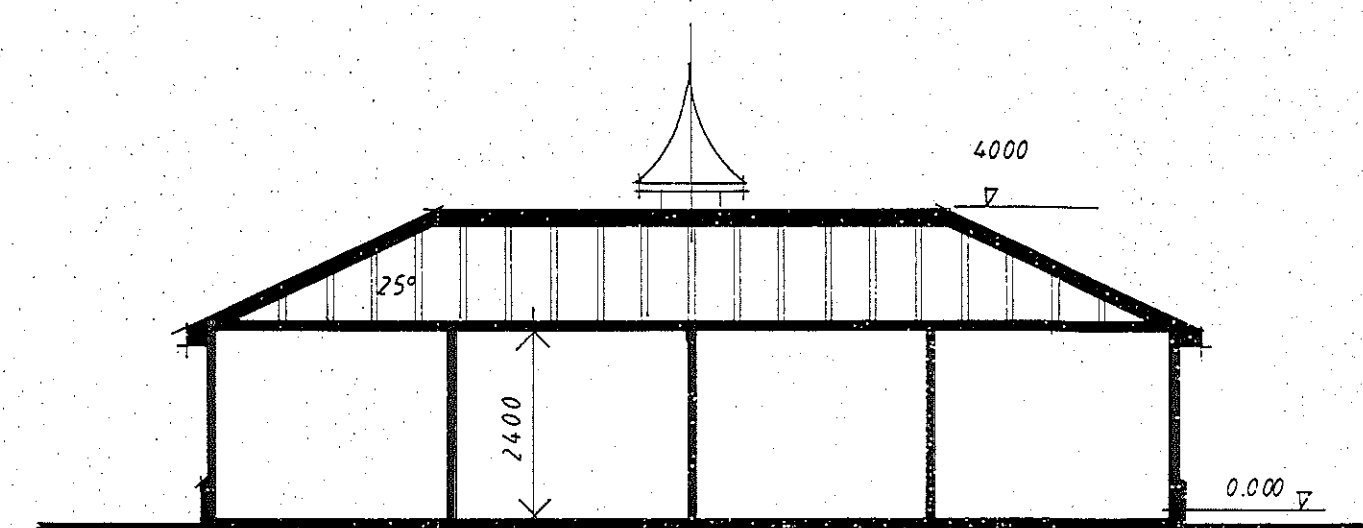
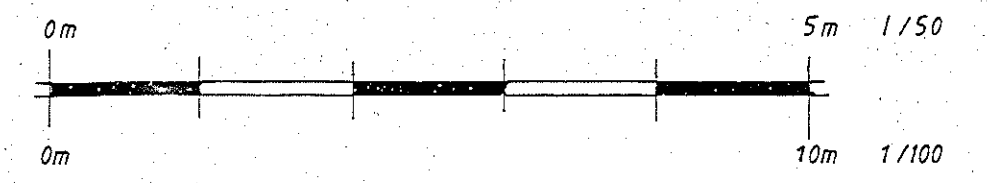
CYCLE / GARDEN STORES  
PLOTS 1/2 & 3/4 1/100 (A1)



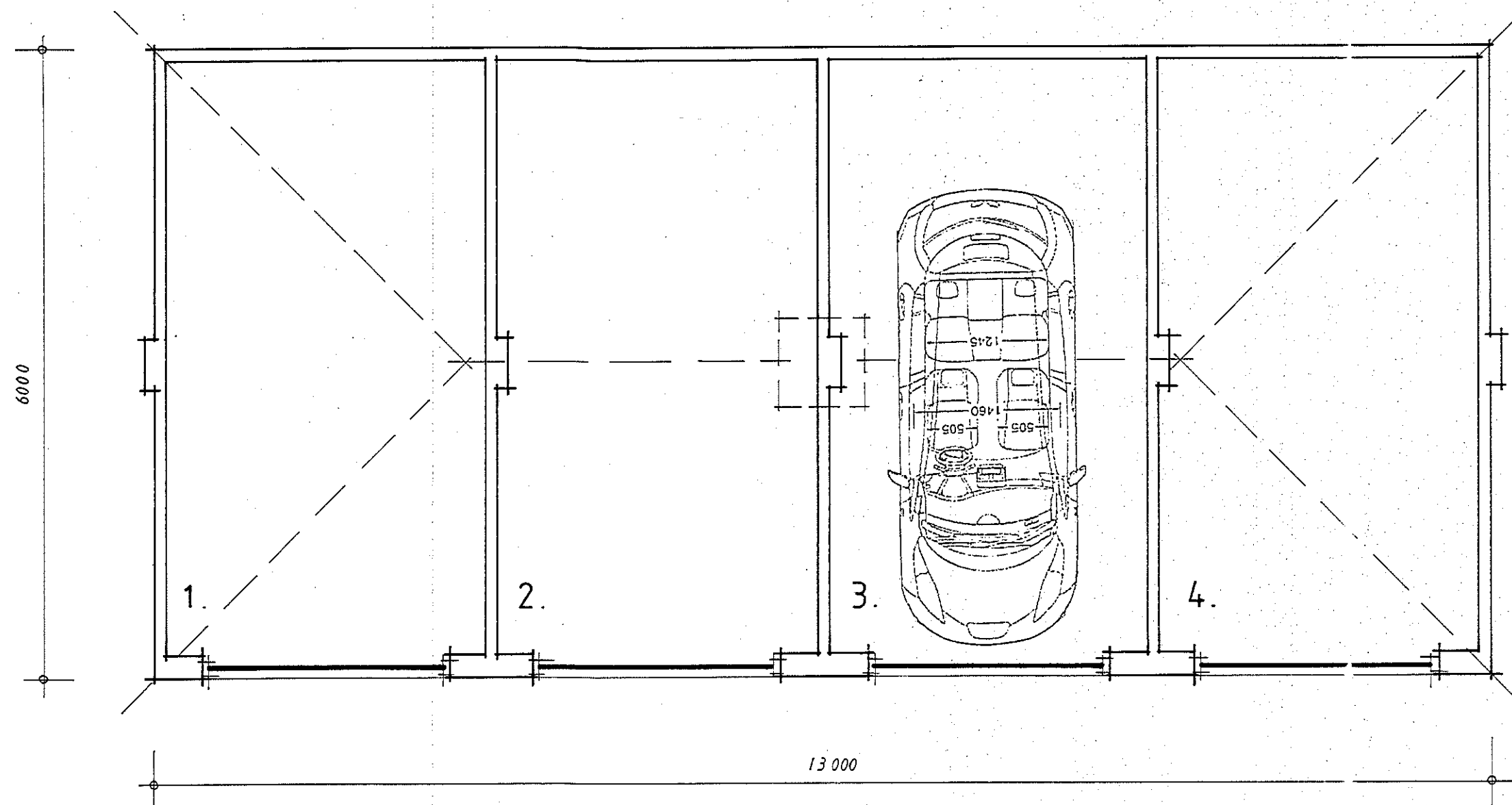
BOUNDARY TREATMENTS 1/50 (A1)



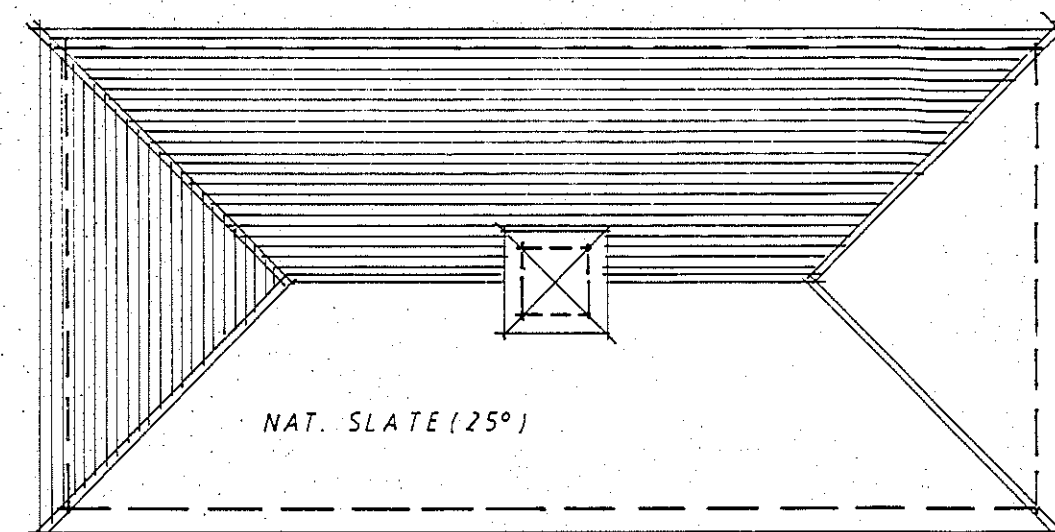
FRONT  
OUTBUILDING PLOTS 1 - 4 1/100 (A1)



OUTBUILDING PLOTS 1-4 1/100 (A1)



PLOTS 1 - 4 OUTBUILDING PLAN 1/50 (A1)



OUTBUILDING ROOF PLAN PLOTS 1-4 1/100 (A1)

|  |                                    |             |
|--|------------------------------------|-------------|
| <p><b>dean jay pearce</b><br/>architectural design &amp; planning ltd<br/>2 / 3 Milestone, Hall Street, Long Melford<br/>Sudbury, Suffolk, CO10 9HZ<br/>T: 01787-378797 E: dean.pearce@live.co.uk</p>  |                                    |             |
| <p><b>Project:</b><br/>Proposed change of use of land and residential development of 2no. pairs of semi-detached, two-storey 'estate' cottages, ancillary outbuildings and associated works (including improvements to existing vehicular access).</p> |                                    |             |
| <p><b>Site Address:</b><br/>Land north of Pound Hill Cottage, Pound Hill, Great Bricett, Suffolk, IP7 7DN</p>  |                                    |             |
| <p><b>Applicant:</b><br/><b>Mr N Thomson</b></p>   |                                    |             |
| <p><b>Drawing title:</b><br/>PROPOSALS - OUTBUILDINGS / DETAILS</p>  |                                    |             |
| <p>scales: 1 / 50, 100<br/>date: 05 / 2021<br/>drawn: djp<br/>checked:</p>   | <p>drg no:<br/><b>21/33/04</b></p> | <p>rev:</p> |
| <p><small>Do not scale this drawing. Use figured dimensions only. Contractor to set out all of the works prior to commencement and report any omissions / discrepancies immediately. Scales shown on this drawing are at A1 sheet size.</small></p>    |                                    |             |
| <p><small>This drawing &amp; information are Copyright. ©</small></p>  |                                    |             |