



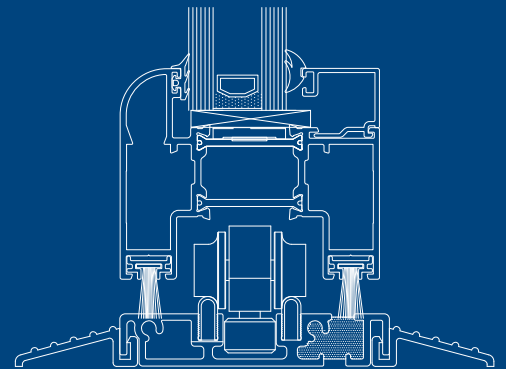
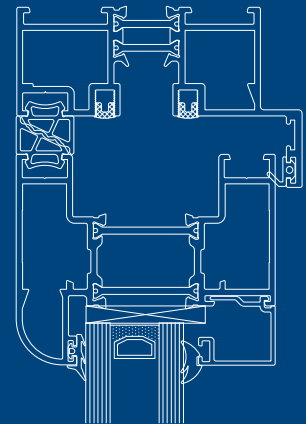
**smart**  
architectural aluminium

## Visofold

The Visofold series of slide-folding doors offer impressive opening apertures that can unite internal and external areas creating unique living and social areas. Suitable for both residential and commercial applications.

Features door systems tested to (depending on system):

- U Values up to 1.5 W/m<sup>2</sup>K
  - Security tested to PAS 24: 2012
  - Weather tested to BS 6375 Part 1: 2009
  - Colour matched accessories now available
- Speak with your supplier for details



# Visofold: Slide Folding Doors

Visofold can be used in domestic applications as either an alternative to sliding doors, or to open up an entire wall as part of a conservatory; the system will make the most of a beautiful view or bring a garden into the home.

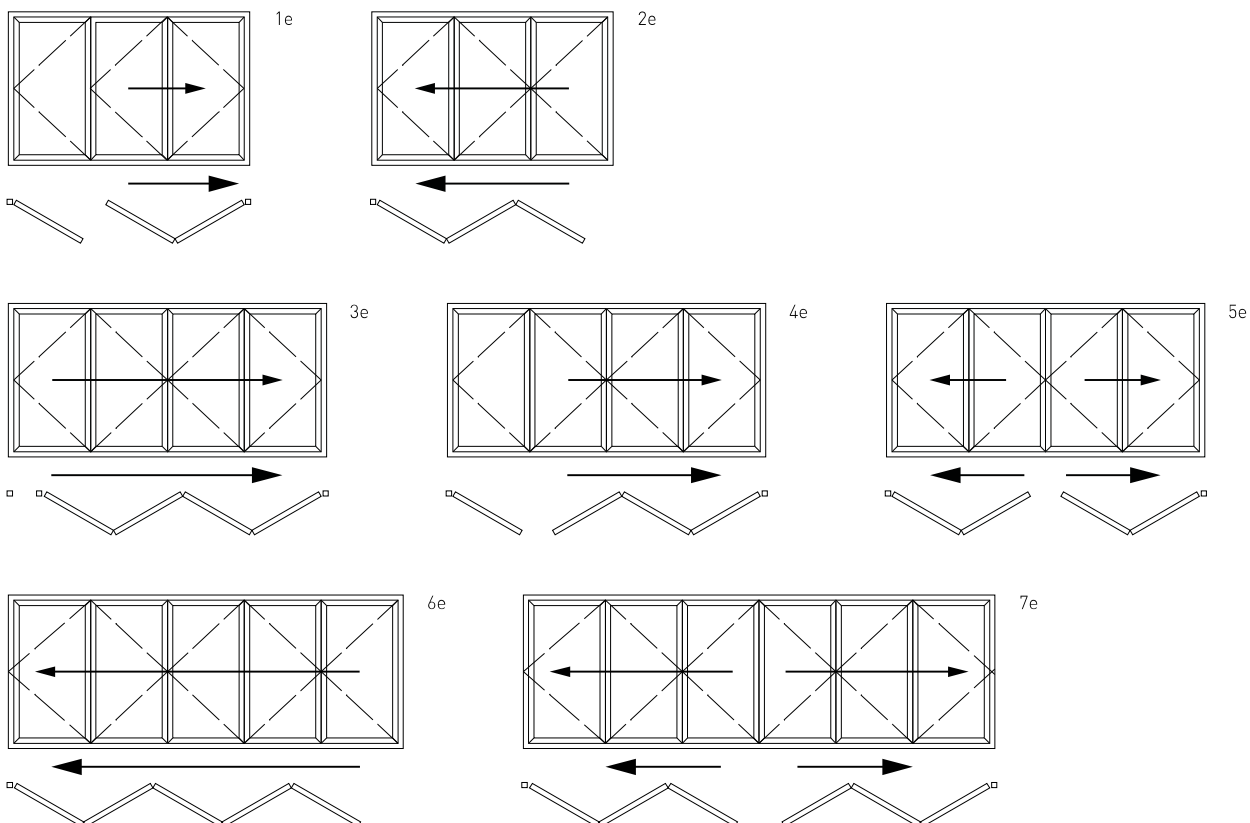
Used commercially in a bar, café or restaurant, Visofold can create a glazed screen that allows in the maximum ingress of light in inclement weather, and will also easily glide to open up an entire wall in warmer weather. Visofold doors offer a choice of opening configurations to suit any application. Choose to fold the sashes internally or externally, place the opening at the side so the sashes all fold one way, at one end, to create a single entrance door for easy access, or in the middle to give the option of a double door.

All Visofold profiles feature a polyamide thermal break that enhances the thermal performance of the profile and improves the overall U-Value. Profiles feature EPDM high quality gaskets and weather brushes to aid weather resistance. Visofold complies with the requirements of Building Regulations Document L 2010. Security is assured by multi-point lock mechanisms on main opening sashes, and shoot-bolt locking on floating mullions.

All Visofold doors have the option of either low thresholds for unimpeded, easy access, or rebated thresholds that offer improved weather resistance. Visofold doors are available in a choice of standard or non-standard colours, including metallic, wood-structure, dual colour and Smart's unique Sensations range of textured finishes.

## Configurations

Plus many more designs please speak to your supplier for further information



# Visofold 1000

## Application

- ◆ Residential/retail/commercial

## Features

- ◆ Attractive, slim-line profiles offer reduced sightlines
- ◆ Profiles available in either square or rounded edge options
- ◆ Fabricated using mitred corners
- ◆ Lock mechanism available with domestic style 'lift-up' handle and an adjustable, one-piece keep
- ◆ Manufactured using Smarts punch tooling

## Technical Performance

**Finish** Single or dual colour, marine quality polyester powder coat as standard \*\*

**U Value** 1.5 W/m<sup>2</sup>K using a 1.0 centre pane

**Air** Class 4, 600Pa

**Water** Class E, 750Pa

**Wind** Class 4, 1800Pa

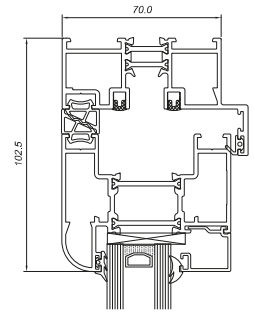
## Document L Compliant

**PAS 24:2016** Enhanced Security Performance

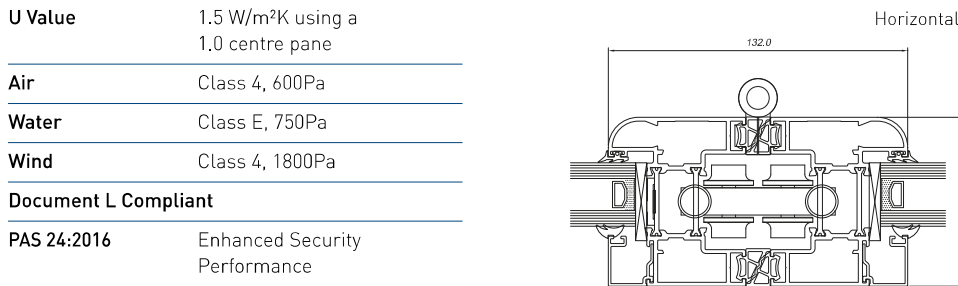
## Dimensions

<b>Frame Width</b>	102.5mm
<b>Frame Depth</b>	70mm
<b>Glass</b>	24, 28, 32, 34 or 36mm double or triple glazed units
<b>Max o/a Height:</b>	2500mm (per sash)
<b>Max o/a Width</b>	1200mm (per sash)
<b>Max Sash Weight:</b>	100kg

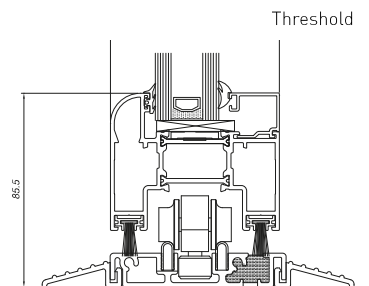
(For sizes outside of these parameters, contact Smarts Technical).



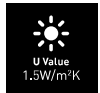
Head



Horizontal



Threshold



# Visofold 2000

## Application

- ◆ Residential/retail/commercial

## Features

- ◆ Visofold 2000 is styled for use on retail or commercial applications such as bars, cafes or shops that require the benefit of opening up an entire facade in good weather, and also providing a glazed screen that allows the maximum ingress of light when closed
- ◆ Manufactured by method of a square cut, non-mitred design with square edged profiles which mimic a timber profile appearance
- ◆ Optional commercial high security multi-point lock
- ◆ Option of using a deep bottom rail on sashes
- ◆ Manufactured using Smarts punch tooling

## Technical Performance

**Finish** Single or dual colour, marine quality polyester powder coat as standard\*\*

**U Value** 1.6 W/m<sup>2</sup>K using a 1.0 centre pane

**Air** Class 3, 600Pa

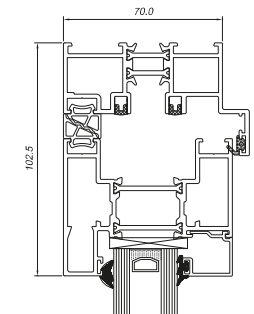
**Water** Class 7a, 300Pa

**Wind** Class 4, 1800Pa

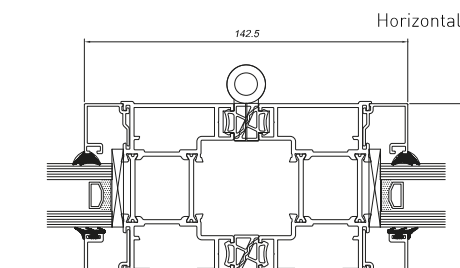
## Document L Compliant

## Dimensions

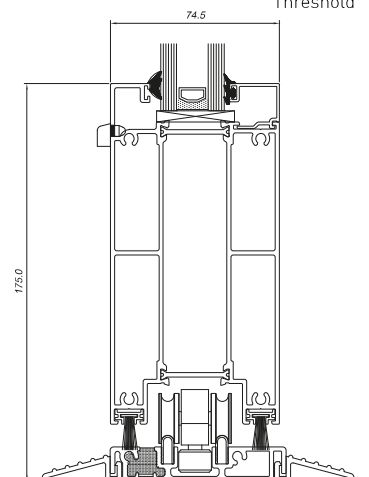
<b>Frame Width</b>	102.5mm
<b>Frame Depth</b>	70mm
<b>Typical Sight Line*</b>	143mm
<b>Glass</b>	24, 28, 32, 34 or 36mm double or triple glazed units
<b>Max o/a Height</b>	2500mm (per sash)
<b>Max o/a Width</b>	1000mm (per sash)
<b>Max Sash Weight</b>	100kg



Head



Horizontal



Threshold



# Visofold 3000

## Application

- ◆ Residential/retail/commercial

## Features

- ◆ Visofold 3000 offers elegant slim sightlines coupled with highly engineered hardware designed to ensure years of reliable service
- ◆ Slim sightlines allow more light into the building and give a pleasing appearance
- ◆ Attractively styled round or square edge profiles and highly engineered and robust hinges
- ◆ Specially designed stainless steel rollers give smooth and easy operation
- ◆ Domestic lift-up style handles
- ◆ Fabricated using mitred corners
- ◆ Manufactured using Smarts punch tooling

## Technical Performance

**Finish** Single or dual colour, marine quality polyester powder coat as standard \*\*

**U Value** 1.6 W/m<sup>2</sup>K using a 1.0 centre pane

**Air** Class 3, 300Pa

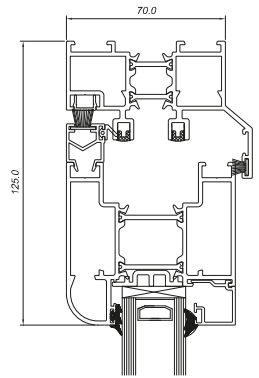
**Water** Class E, 1050Pa

**Wind** Class 4, 1800Pa

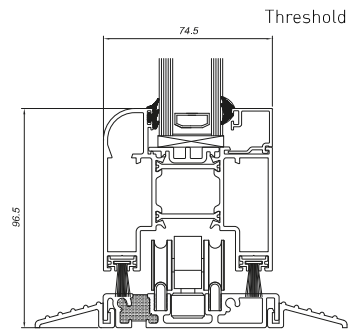
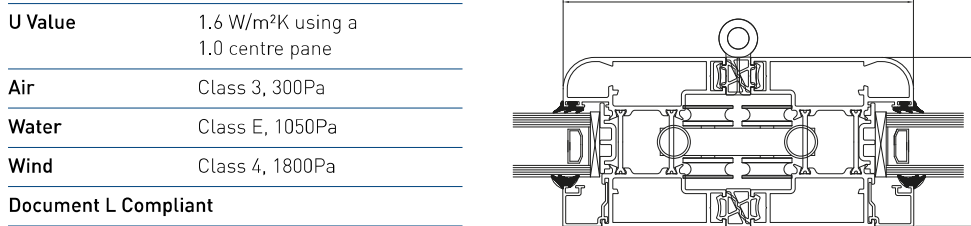
**Document L Compliant**

## Dimensions

<b>Frame Width</b>	125mm
<b>Frame Depth</b>	70mm
<b>Typical Sight Line*</b>	154.2mm
<b>Glass</b>	28mm double or triple gazed units
<b>Max o/a Height:</b>	2500mm (per sash)
<b>Max o/a Width</b>	1000mm (per sash)
<b>Max Sash Weight:</b>	100kg



Head



Threshold



# Visofold 4000

## Application

- ◆ Residential/retail/commercial – robust use

## Features

- ◆ Heavy duty slide folding doors suitable for use in commercial applications where heavy usage is expected
- ◆ Sashes are hung from a floating mullion which provides additional strength and stability
- ◆ Sashes slide on 4 stainless steel rollers sitting on a steel track which give a smooth opening action
- ◆ Visofold 4000 is an ideal choice for applications that require large or runs of multiple sashes
- ◆ Profiles feature attractive rounded-edge
- ◆ Manufactured using Smarts punch tooling

## Technical Performance

**Finish** Single or dual colour, marine quality polyester powder coat as standard\*\*

**U Value** 1.7 W/m<sup>2</sup>K

**Air** Class 3, 600Pa

**Water** Class 7a, 300Pa

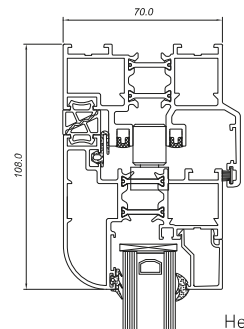
**Wind** Class 3, 1200Pa

**Document L Compliant**

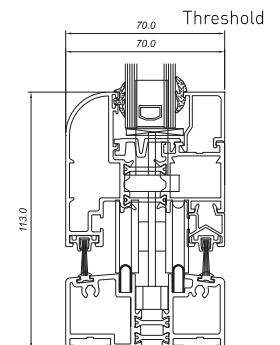
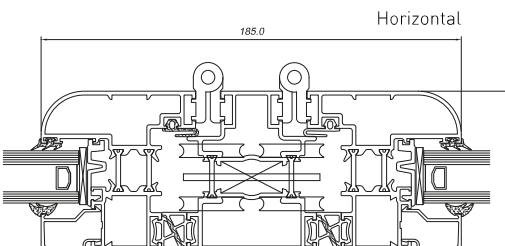
## Dimensions

<b>Frame Width</b>	108mm
<b>Frame Depth</b>	70mm
<b>Typical Sight Line*</b>	185mm
<b>Glass</b>	24 – 38mm double or triple gazed units
<b>Max o/a Height</b>	2500mm (per sash)
<b>Max o/a Width</b>	1000mm (per sash)
<b>Max Sash Weight</b>	100kg

\*\*Marine guarantee subject to application.



Head



Threshold

