

Solution for Gen 2.5 Amazon Outdoor Locker (UK Version)

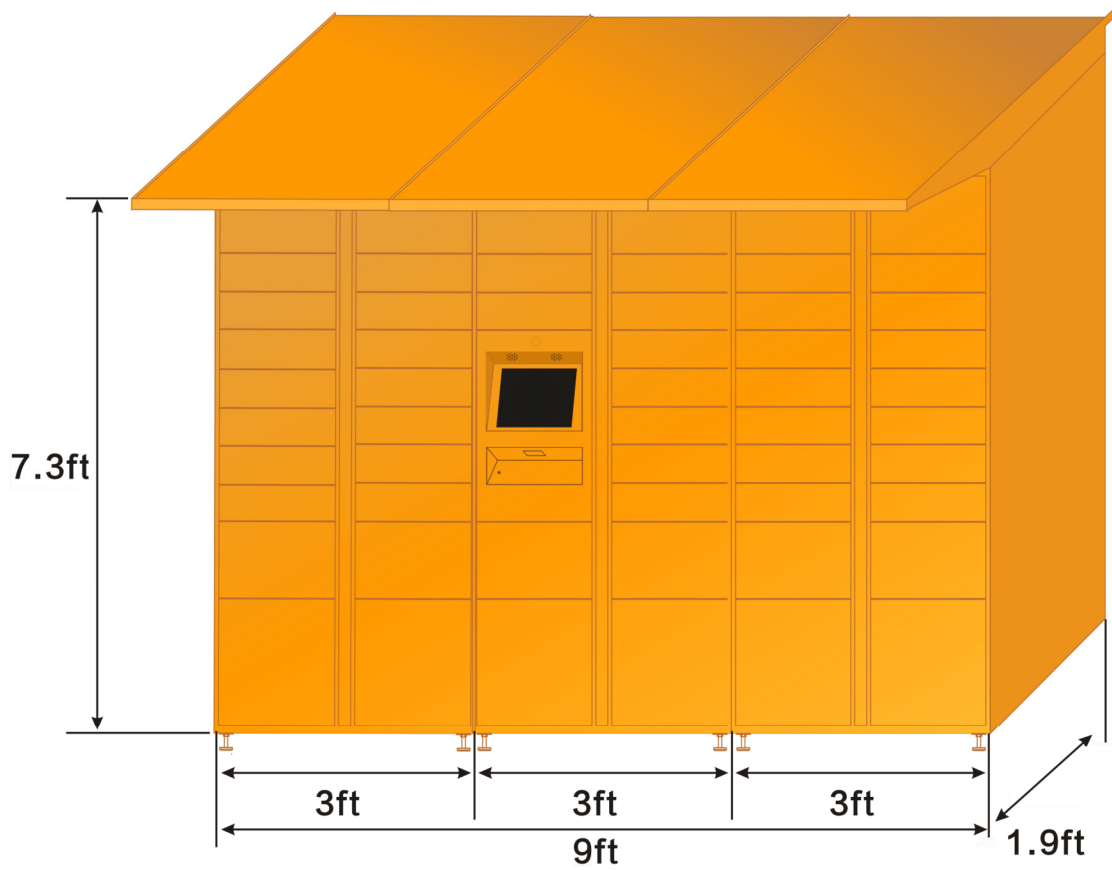
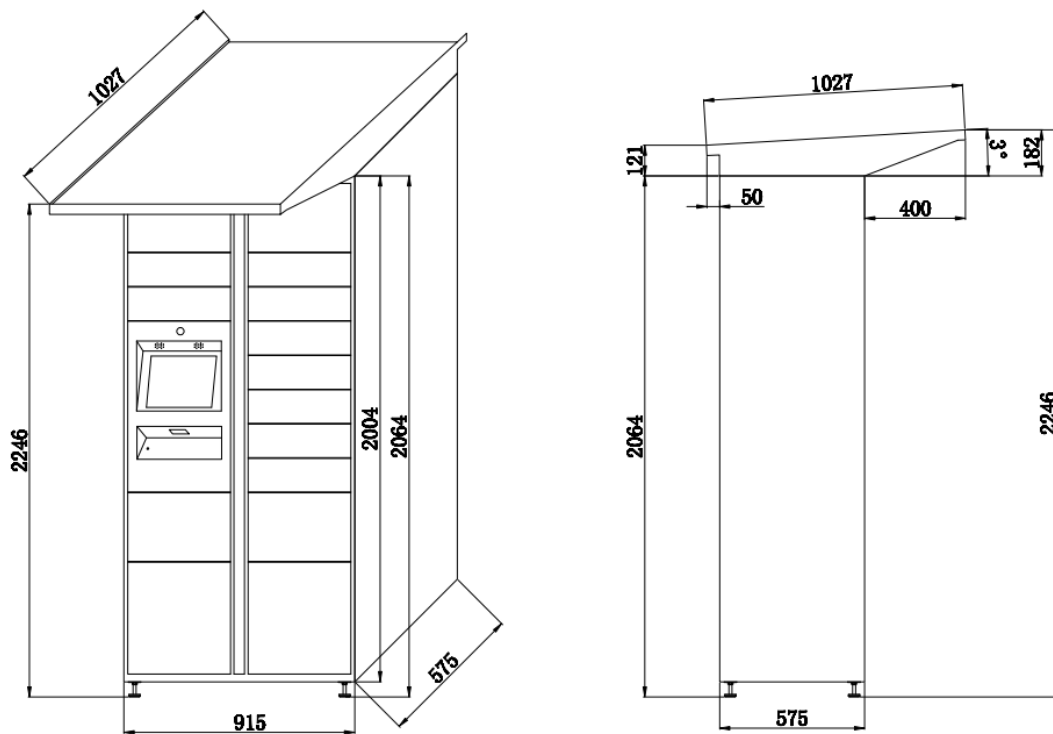
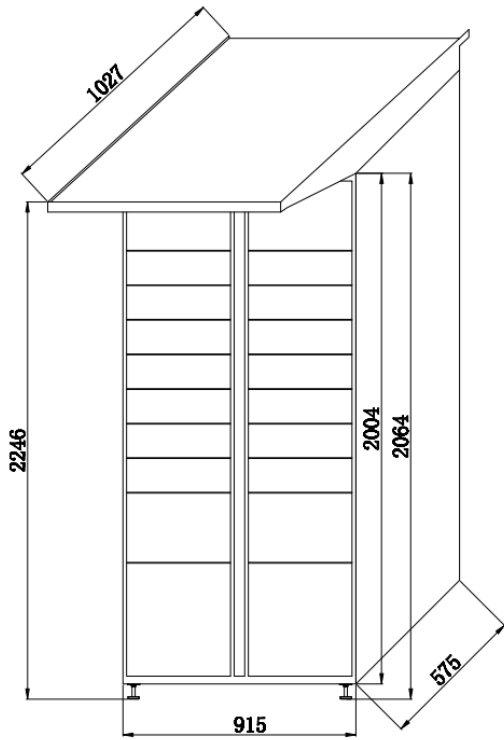


Figure 1.1 starter and adder



Unit: mm

Figure 1.2.1 Starter with overhead shelter



Unit: mm

Figure 1.2.2 Adder with overhead shelter