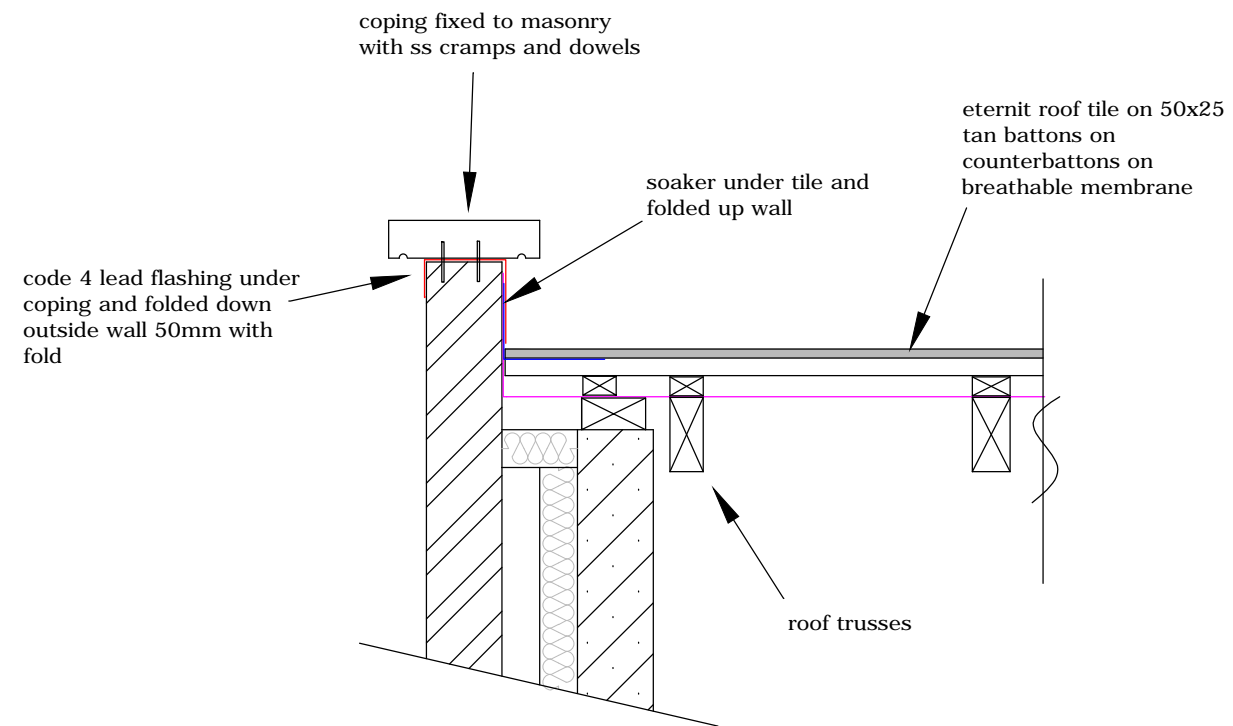


foundation / floor detail scale 1:25



gable detail 1:10

Revision notes:
0 -issued to Planning and Building Control

Client : Mr R Clark

Project : 37 Sandriggs
Darlington
DL3 0TY
Title : Proposed side extension

Drawn CK	Date March 21
Checked	Date
Scale as noted@A3	

Drg No
037 / 2021 / 105
Revision - 0