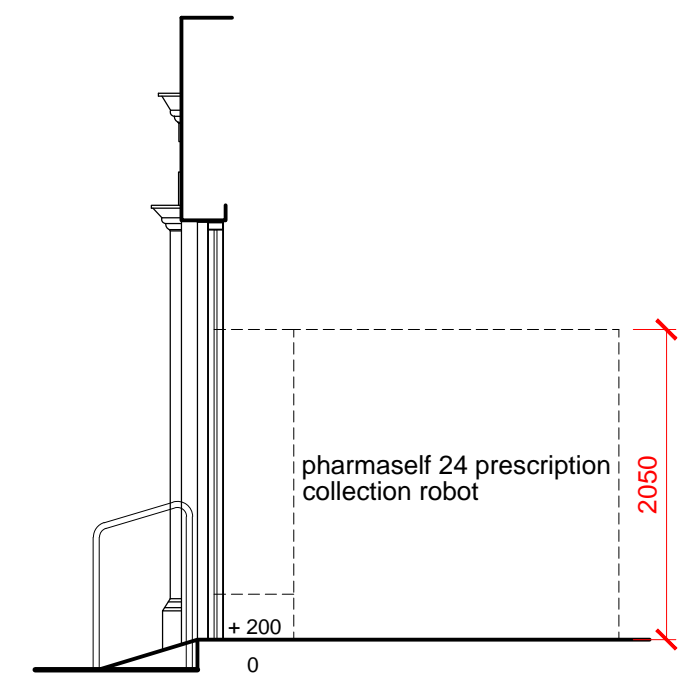


section @
bin boor



section @
robot

proposed plan



Revision		
A	new feasibility options with rev robot width	050521
B	north point indicated, wording altered as per letter 21.05.21	300521

retail design consultants ltd

97-99 carron place, kelvin industrial estate, eastkilbride G75 0YL
 Mark Forbes, mob 07768 581560 email rdcshopfitters@aol.com
 Terry Cuthill, mob 07900 893567 email terrycuthill@btinternet.com
 David Donaghue, mob 07961 055534 email david@retaildesignconsultants.co.uk

Client	Davidsons Chemist	
Scale	1:50 @ A3	Date 03.05.21
Drwg	Proposed Plan & Sections	Rev B
Job title	8 - 10 New Road, Milnathort, KY13 9XT	

