

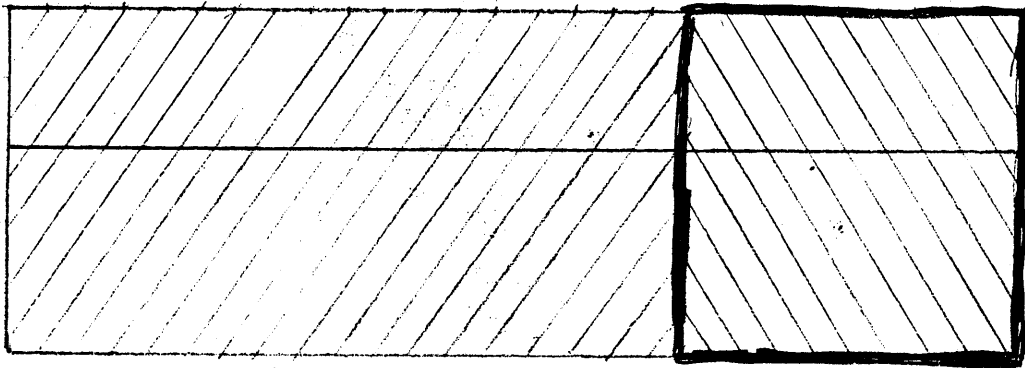
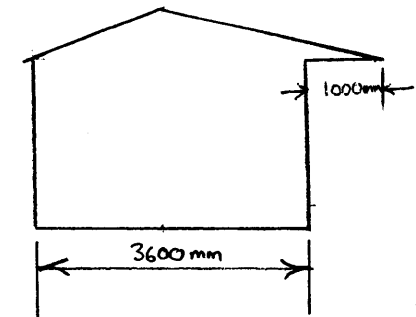
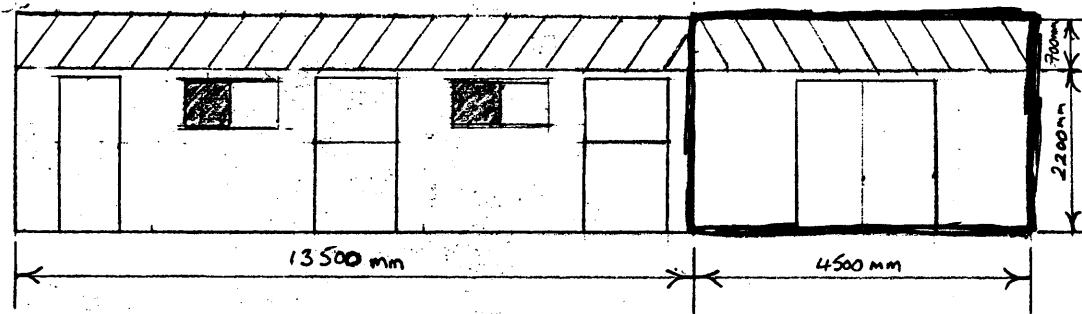
"THE SPINNEY", SUTTON LANE, ELTON-ON-THE-HILL NG13 9LA

RUSHCLIFFE BOROUGH COUNCIL
DEPOSITED DOCUMENT

REF: 01 / 73 / Ful

RECEIVED 24 JAN 2001

EXISTING STABLES & TACK ROOM



EXISTING TACK ROOM AND STABLES

1/100 SCALE

STABLES & TACK ROOM

MANUFACTURED AND SUPPLIED BY OAKLEY STABLES, SURREY GU8 0NB