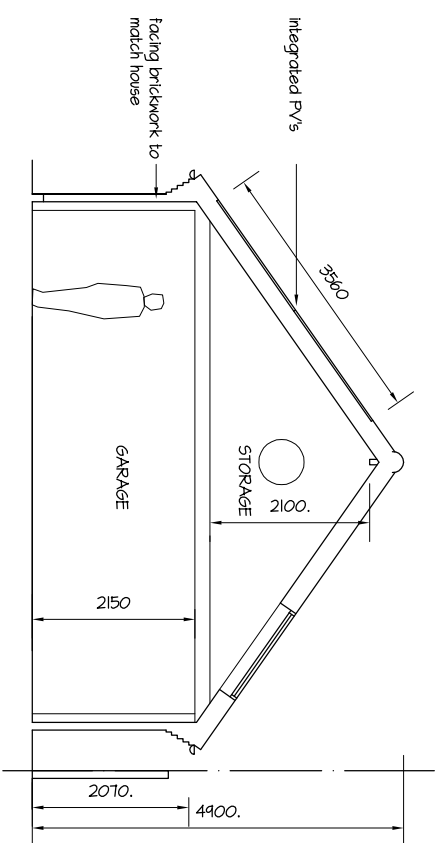
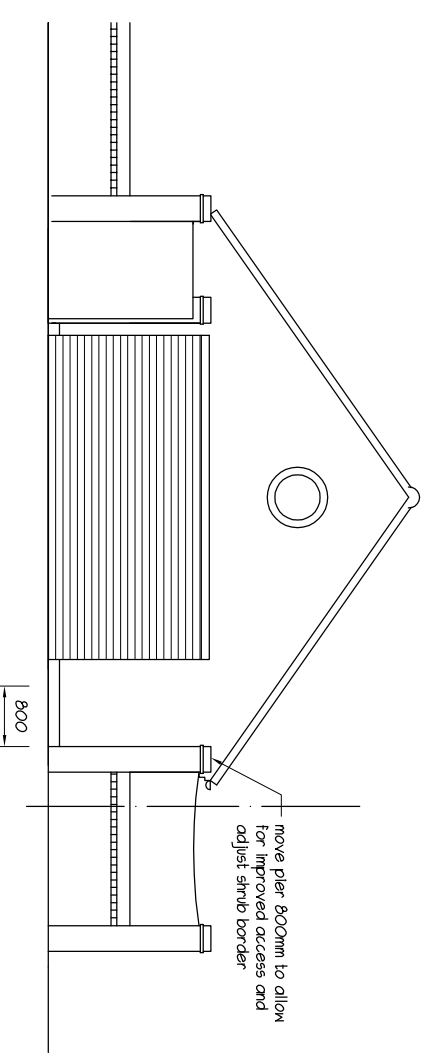


PHYSICAL SCALE IN METERS @ 1:100

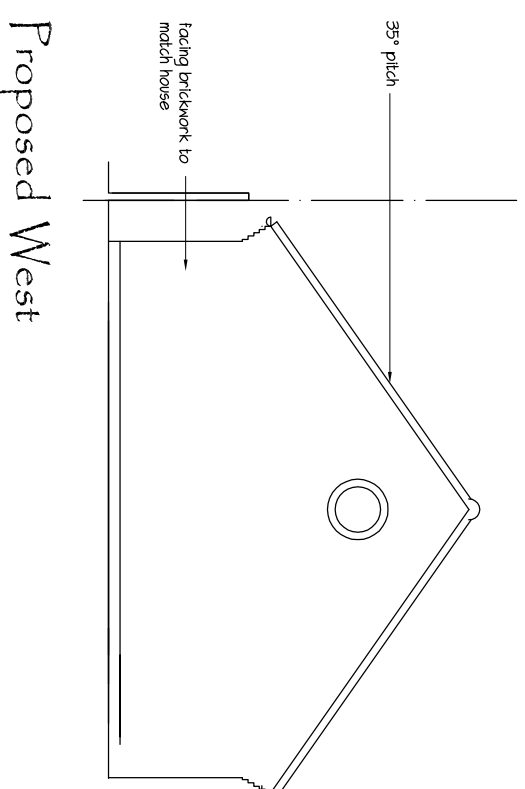
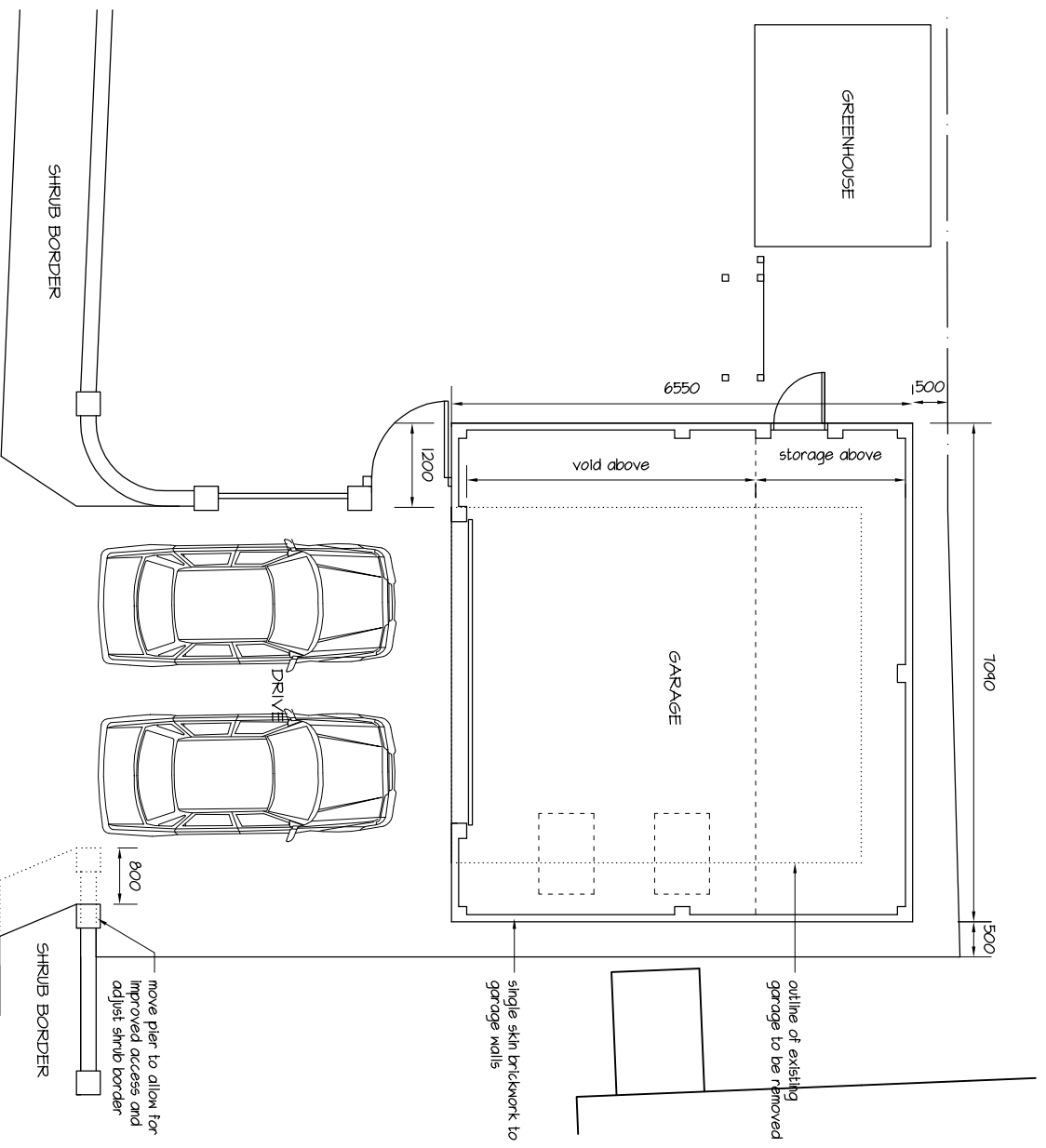
NOTES:
 This drawing has been produced solely for PLANNING/DESIGN.
 Do not Scale from this Drawing except for planning purposes.
 Any drainage runs shown are presumed and to be checked on site before commencement of works.
 This drawing is the copyright of MF Designs Ltd.



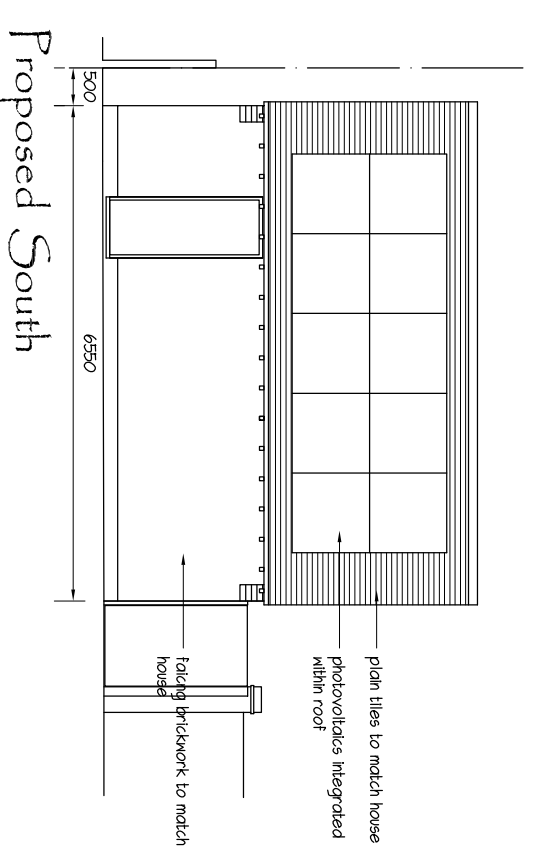
Proposed Section



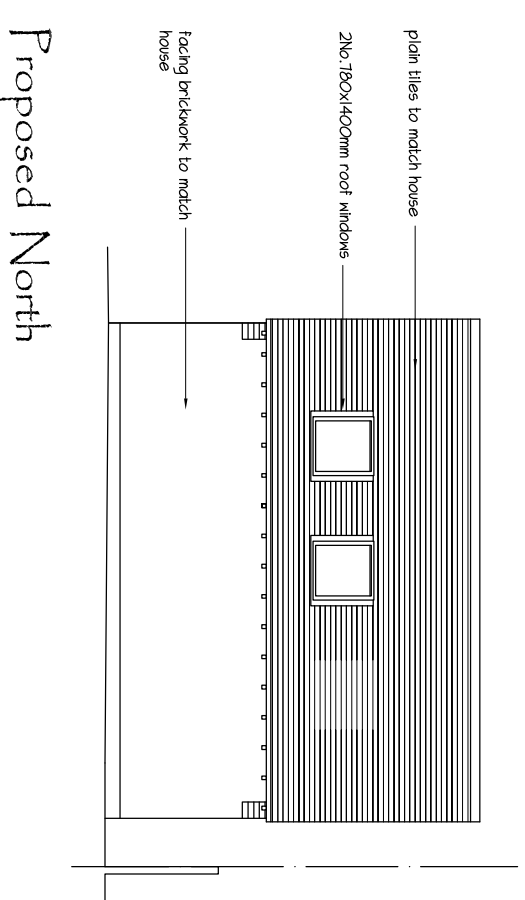
Proposed Street



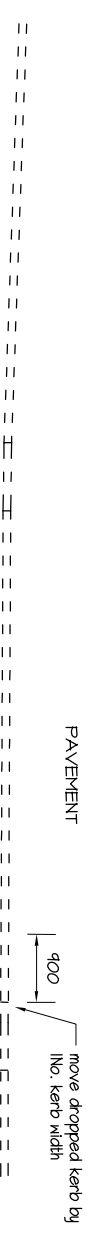
Proposed East



Proposed South



Proposed North



Proposed Ground



mf designs ltd
 Chartered Architects



36 Grove Road • Havant • Hampshire • PO9 1AR
 Director: Martin Farrer RIBA • Co Registration No.4507379
 e admin@mfdesigns.org.uk

Date: May 2021
 Scale: 1:100

Job No: 3276
 Dwg No: P_01

REPLACEMENT GARAGE & REVISED DROPPED KERB- 28 Clovelly Road, Emsworth. PO10 7HL