



Contact Us

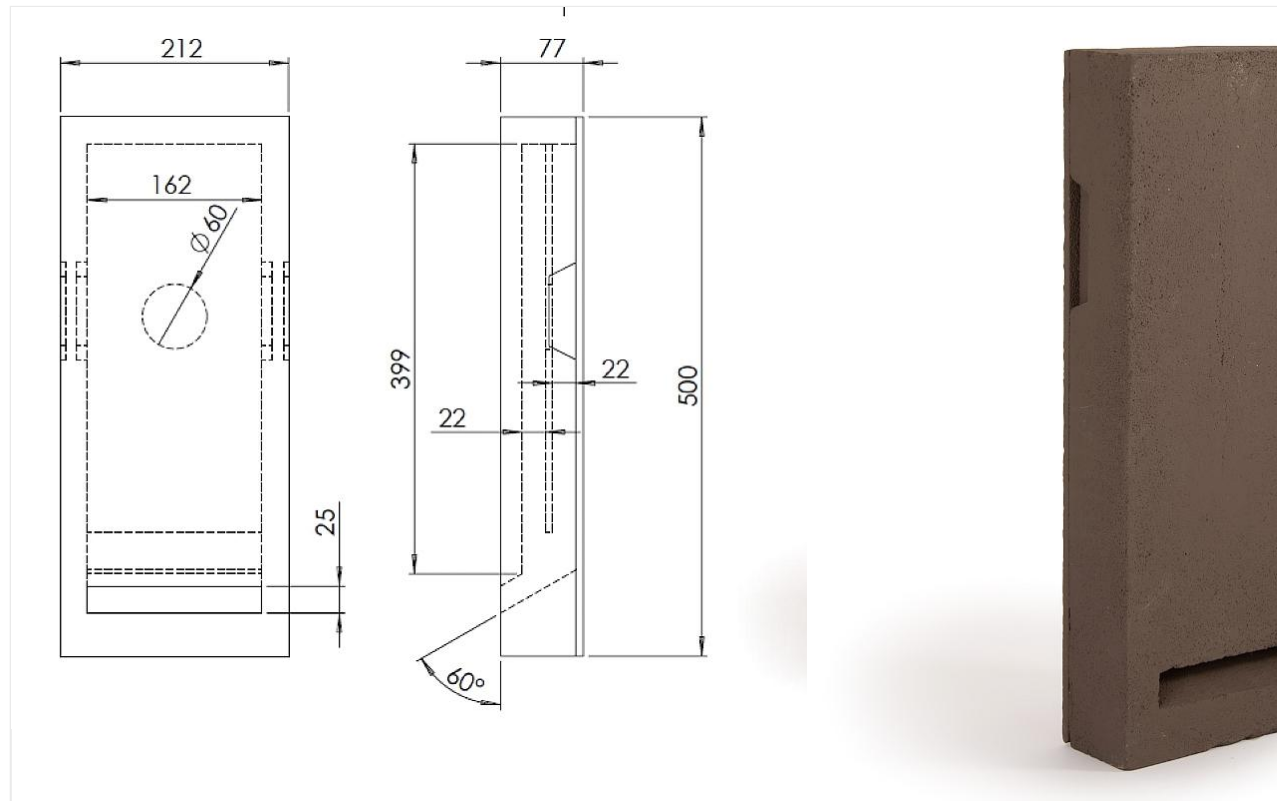
Search Vivara Pro



QUOTE REQUEST (0)

[About Vivara Pro](#)
[Birds](#)
[Bats](#)
[Mammals](#)
[Insects](#)
[Project Case Studies](#)

Vivara Pro WoodStone® Build-in Bat Tube



Request a quote for this product

Qty:

1



+ ADD TO QUOTE

Description

This box includes two compartments with a gap of 22mm. Bats gain access to the compartments via the hatch opening as well as through the opening in the partition wall. This building block is ideal as a summer roost, for breeding and - in mild winters - as a winter roost for bats.

The box has been designed in conjunction with wildlife experts and includes a single narrow cavity making it ideal for crevice roosting bats.

Our unique WoodStone® material offers good thermal insulation and therefore creates a more stable internal temperature and rough surface to ensure bats have enough grip to access the box. In addition to creating optimal conditions within the box, WoodStone® habitats also help protect inhabitants from predators.

Which bat species ultimately uses it depends on the area in question and the species already present there. Individually built-in stones provide shelter for one or more bats or a pair of bats. This building block is also suitable for the rearing of young, but several stones have to be connected to one another to form a larger room.



Specifications

Stock code	91030
------------	-------

Dimensions (b x h x d) (cm)	22 x 50 x 16
Inner Dimensions (b x h x d) (cm)	18.5 x 40 x 2.5
Weight (kg)	7.8
Colour	Grey
Material	Woodstone® / Plywood
Wildlife (species)	Common pipistrelle, Nathusius's pipistrelle, Serotine bat, Parti-coloured bat, Soprano pipistrelle
Wildlife (general)	Bats

© CJ WildBird Foods Ltd, The Rea, Upton Magna, Shrewsbury, SY4 4UR
Registered in England No. 2101581 | UK VAT Reg No. 467846493
[Terms and Conditions](#) | [Privacy policy](#)

