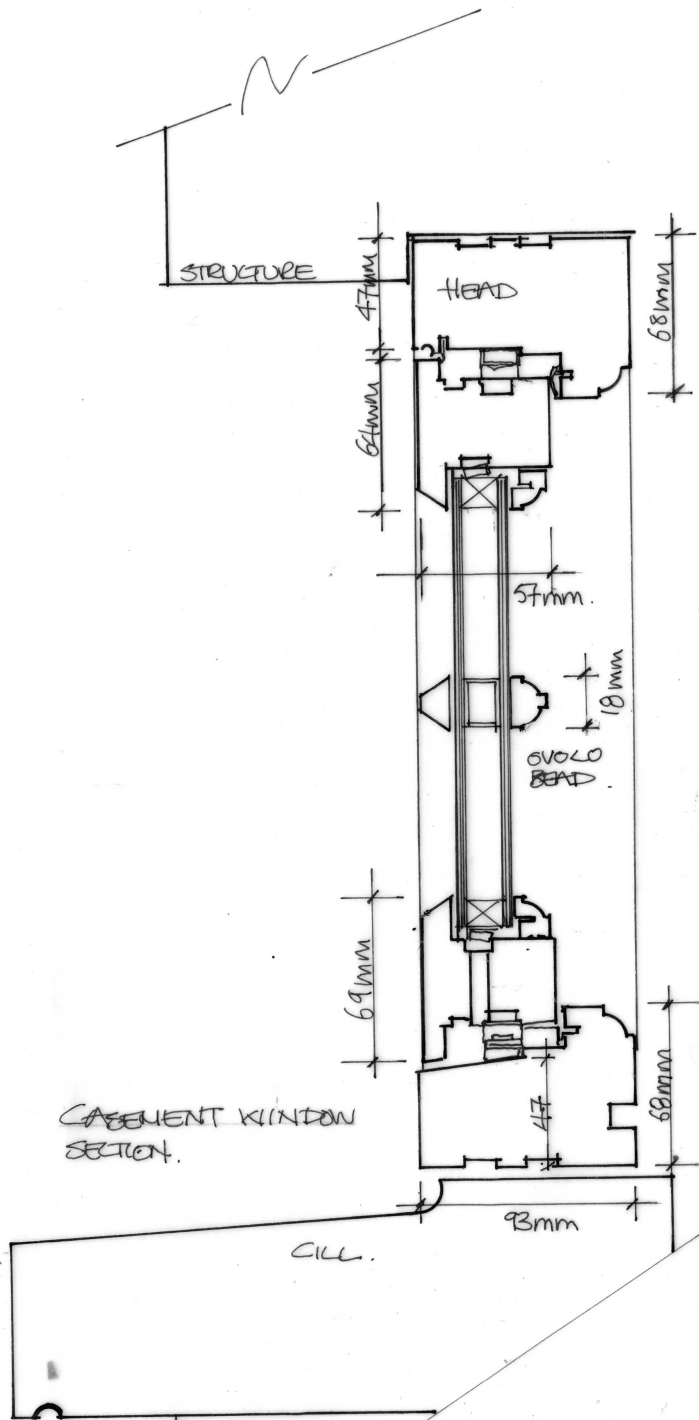
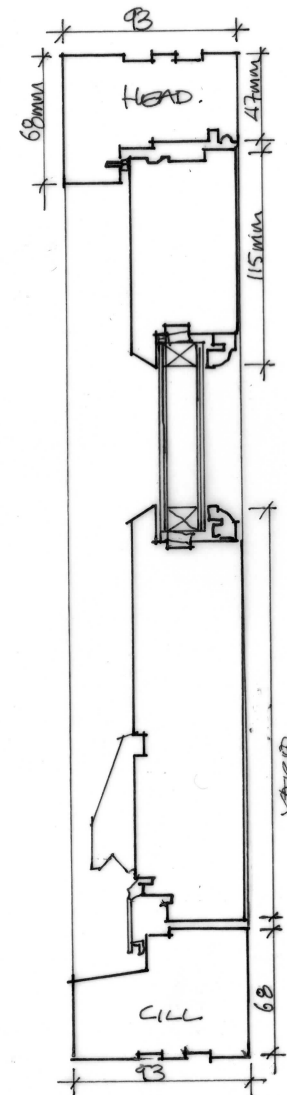


Windows and Doors – Notes

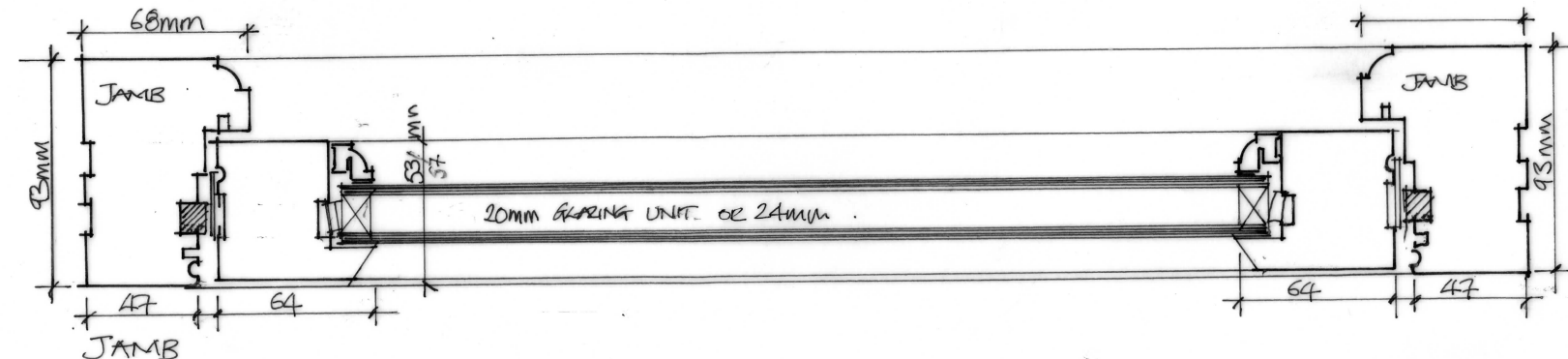
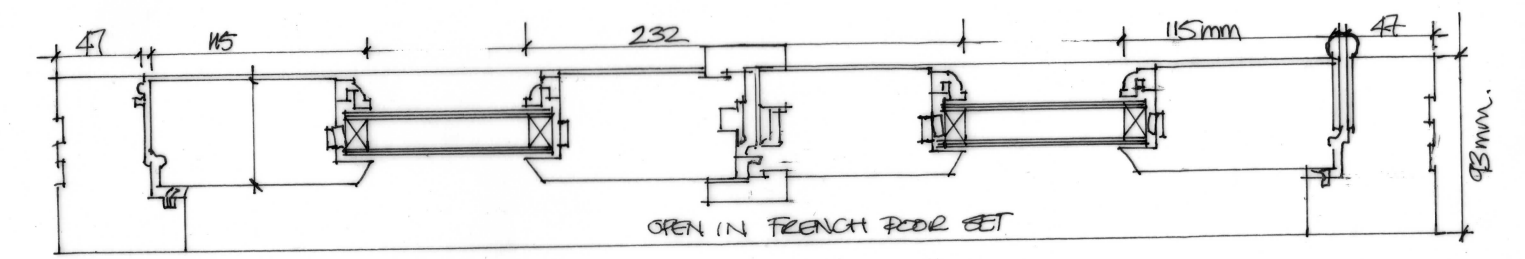
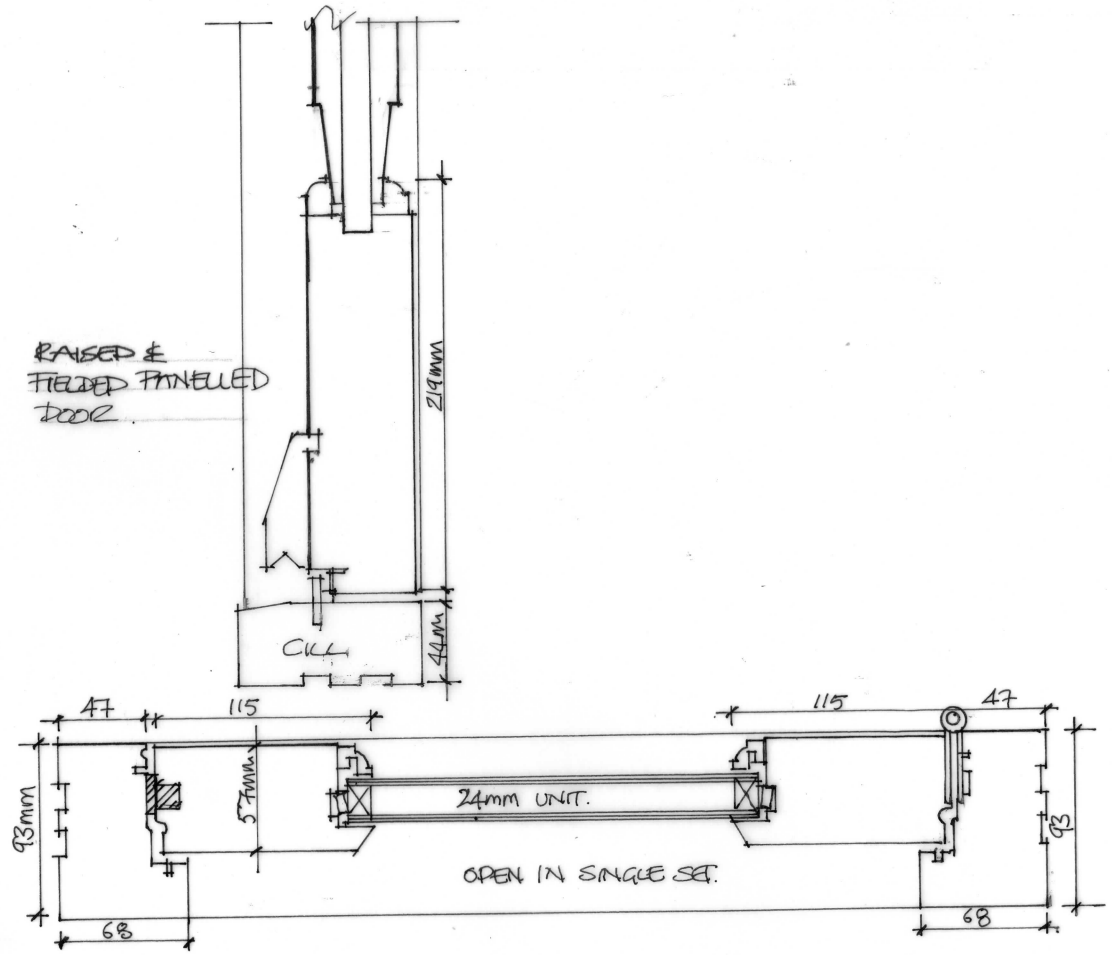
All new windows frames, glazing bars, external doors and frames to be constructed with traditional methods in timber. The external face of the frame to all new windows to be set in a reveal of a minimum of 60 mm or to match the existing on the original property.



CASEMENT WINDOW SECTION.



ENTRANCE DOOR WITH GLASS TOP.



CASEMENT TOP SWING VERTICAL SECTION.

<p>Title: Standard casement windows and entrance doors</p>
<p>Date: 2016</p>
<p>Drawing number: SW/ D/02</p>
<p>Do not scale – check all dimensions on site. Copyright remains with the DC Architectural Design.</p>
<p>DC Architectural Design Lund Court House Nawton York YO62 7TZ T 01751 430932 M 07768 960326 E info@dcarchitecturaldesign.co.uk www.dcarchitecturaldesign.co.uk</p>