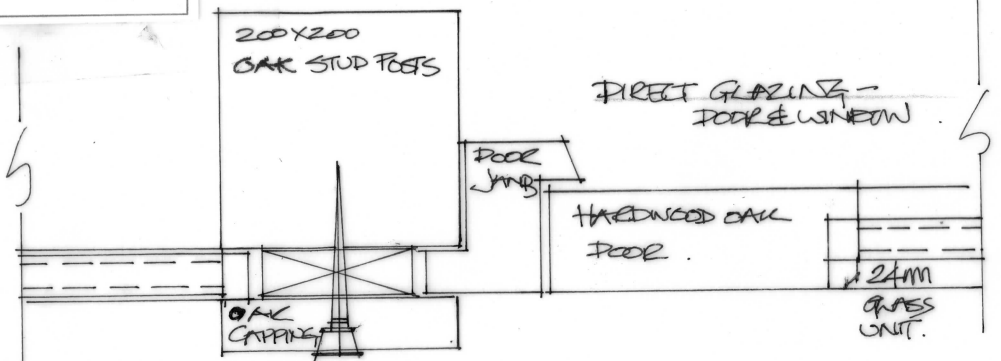
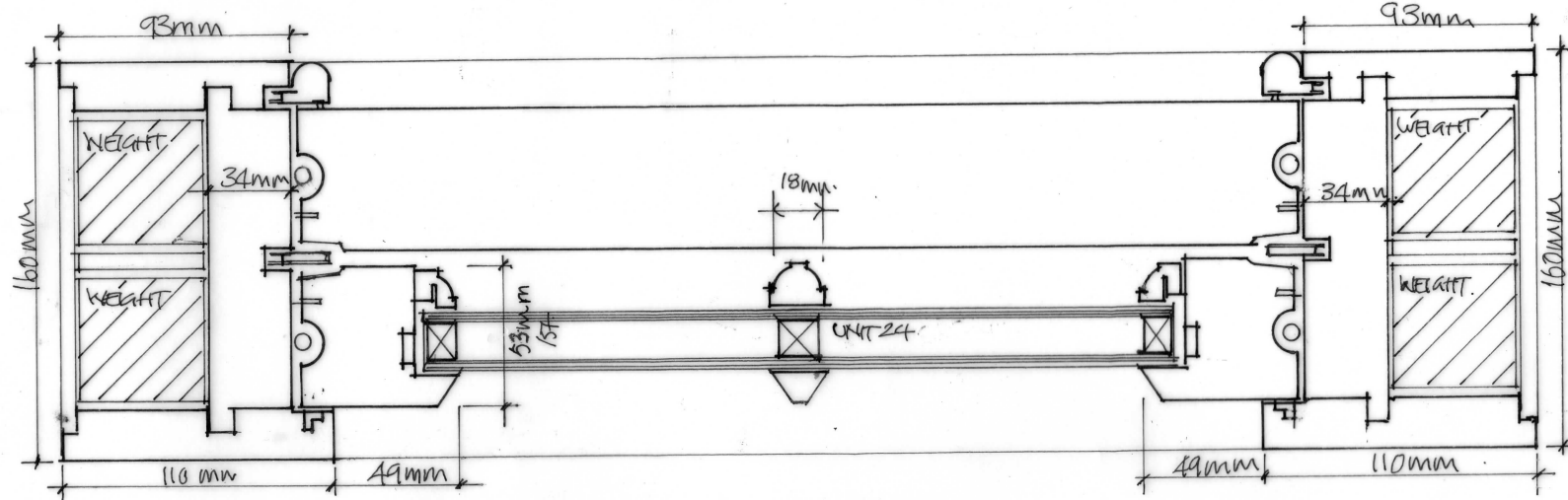


**DC**  
 PROJECT: Standard window details  
 1. Box sash - double glazed  
 2. Box sash - single glazed  
 3. Direct glazing  
 Date: 2018 Scale: 1:100 @A3  
 Drawing number: PL/204/SD  
 Do not scale - check all dimensions on site.  
 Copyright remains with the DC Architectural Design.  
 DC Architectural Design Lund Court House Nawton  
 York YO62 7TZ  
 T 01751 430932 M 07768 960326  
 E info@dcarchitecturaldesign.co.uk  
 www.dcarchitecturaldesign.co.uk

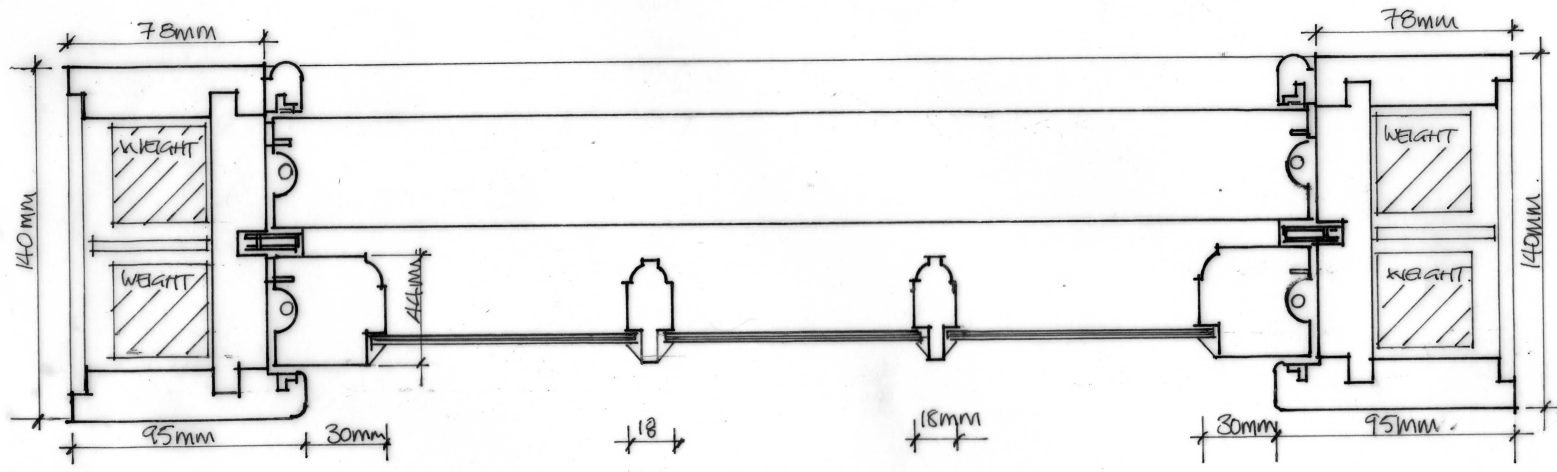
**Windows and Doors - Notes**  
 All new windows frames, glazing bars, external doors and frames to be constructed with traditional methods in timber. The external face of the frame to all new windows to be set in a reveal of a minimum of 60 mm or to match the existing on the original property.



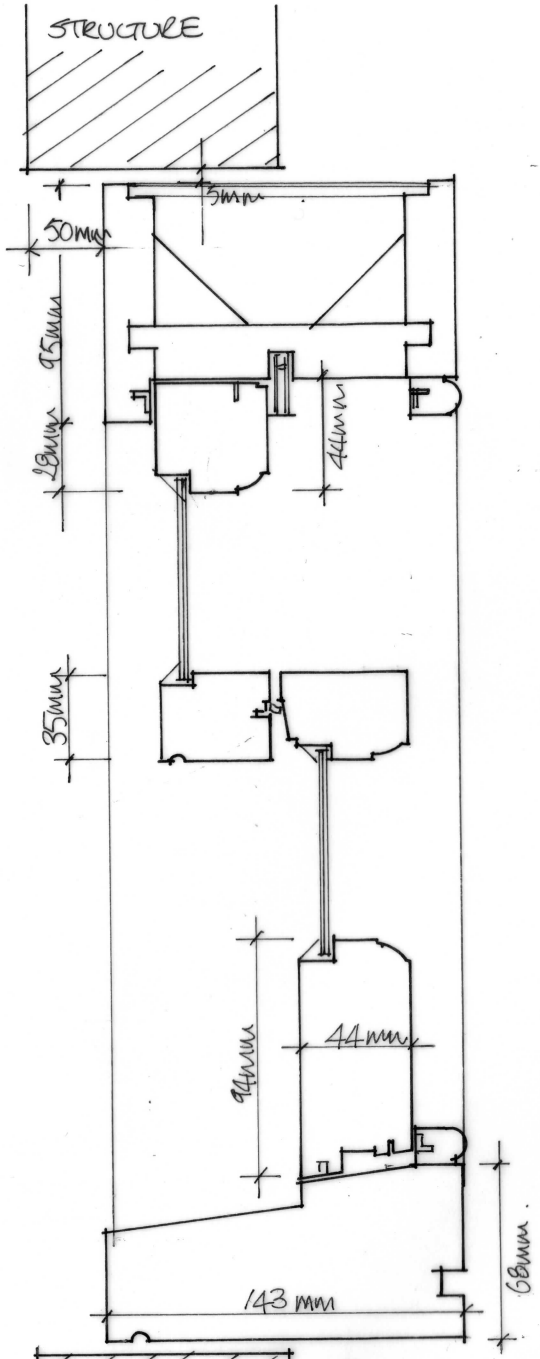
③ STANDARD DIRECT GLAZING



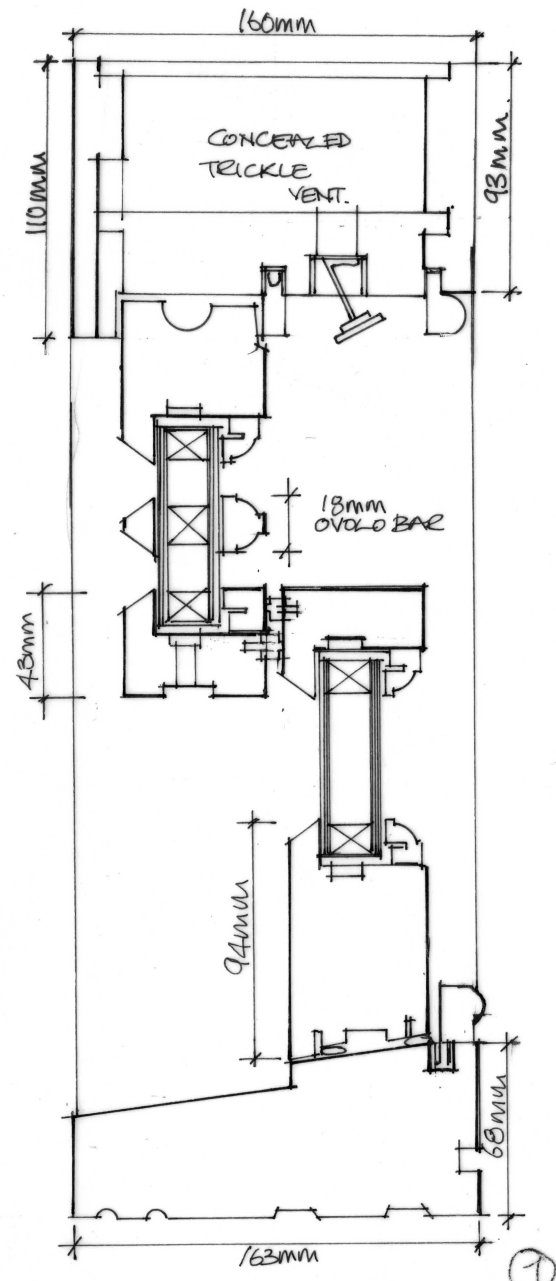
① BOX SASH - DOUBLE GLAZED JAMB SECTION.  
DOUBLE GLAZING UNIT: 4/12/4 24mm



② BOX SASH - SINGLE GLAZED - JAMB SECTION



② BOX SASH - SINGLE GLAZED SECTION - VERTICAL



① BOXED SASH - DOUBLE GLAZED VERTICAL SECTION