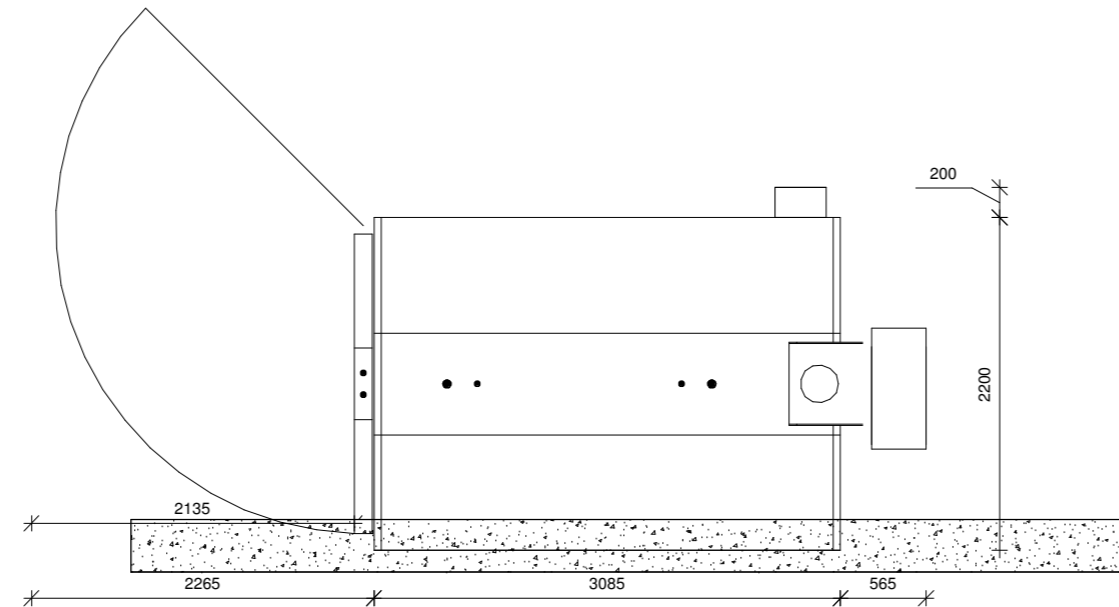
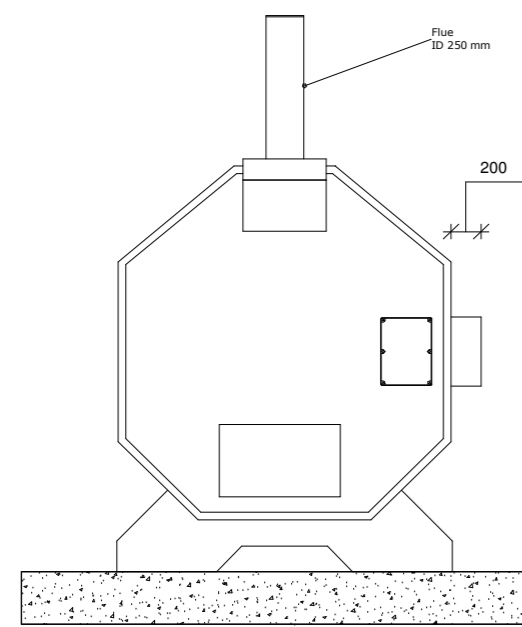
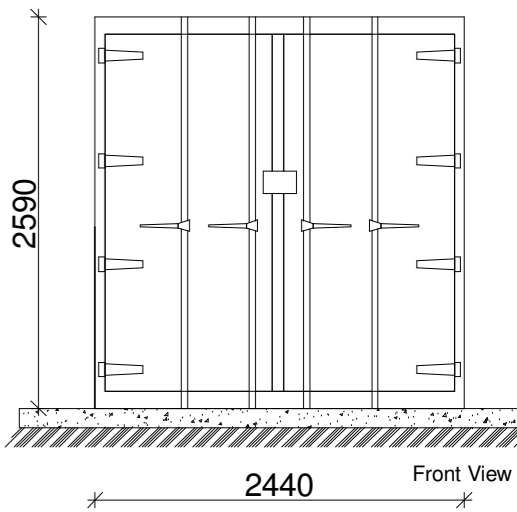
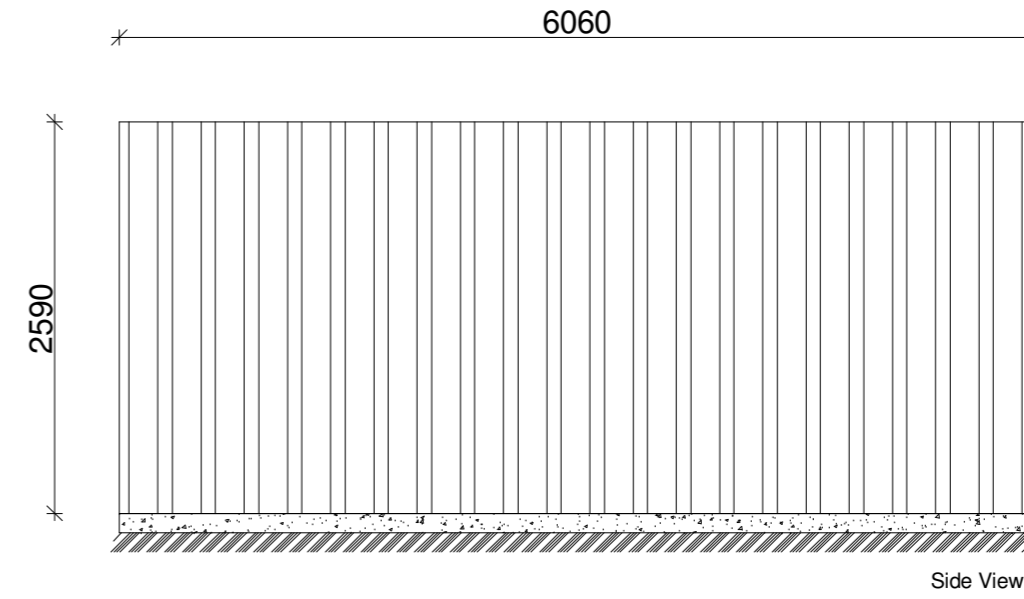
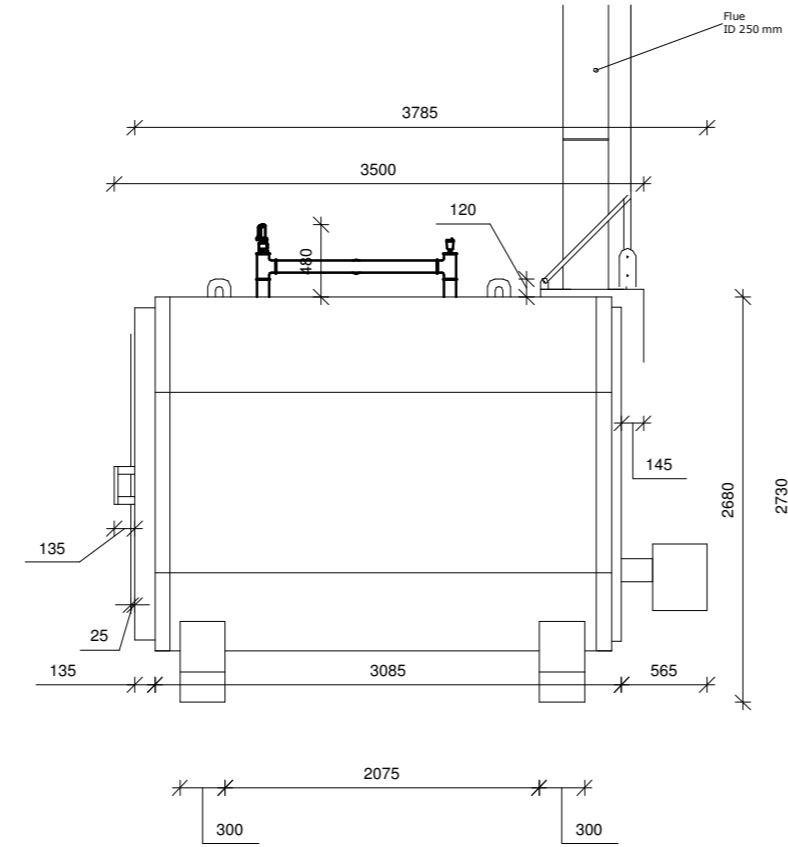
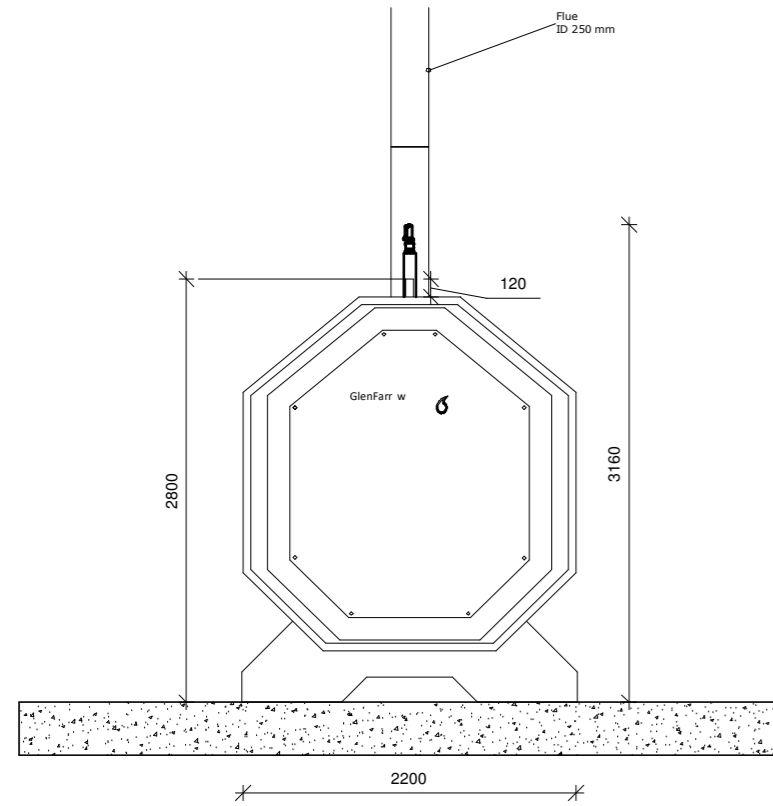


GF295 ELEVATIONS



Note:

- Dimensions are in millimeters.
- Dimensions of the boilers and container might vary ±5%

Client Glen farrow		Project Title The reversby estate Mareham road Boston		hayward ARCHITECTS LTD 19 Station Road Hinckley Leicestershire LE10 1AW Tel: 01455 635 665 Fax: 01455 618 971 www.hayward-architects.co.uk	
Drawing Title Plans					
Scale 1:50	Date 05/2021	Sheet A2	Job No. 21/66	Drawing No. 02	Status Planing
Author WNF	Checked by -				
<small>THE COPYRIGHT OF THIS DRAWING IS VESTED IN HAYWARD ARCHITECTS LTD. REPRODUCTION IN ANY FORM, EITHER IN WHOLE OR IN PART IS FORBIDDEN WITHOUT THE PRIOR WRITTEN PERMISSION OF THE COPYRIGHT HOLDER. DO NOT SCALE FROM DRAWING AND ONLY FIGURED DIMENSIONS ARE TO BE USED.</small>					