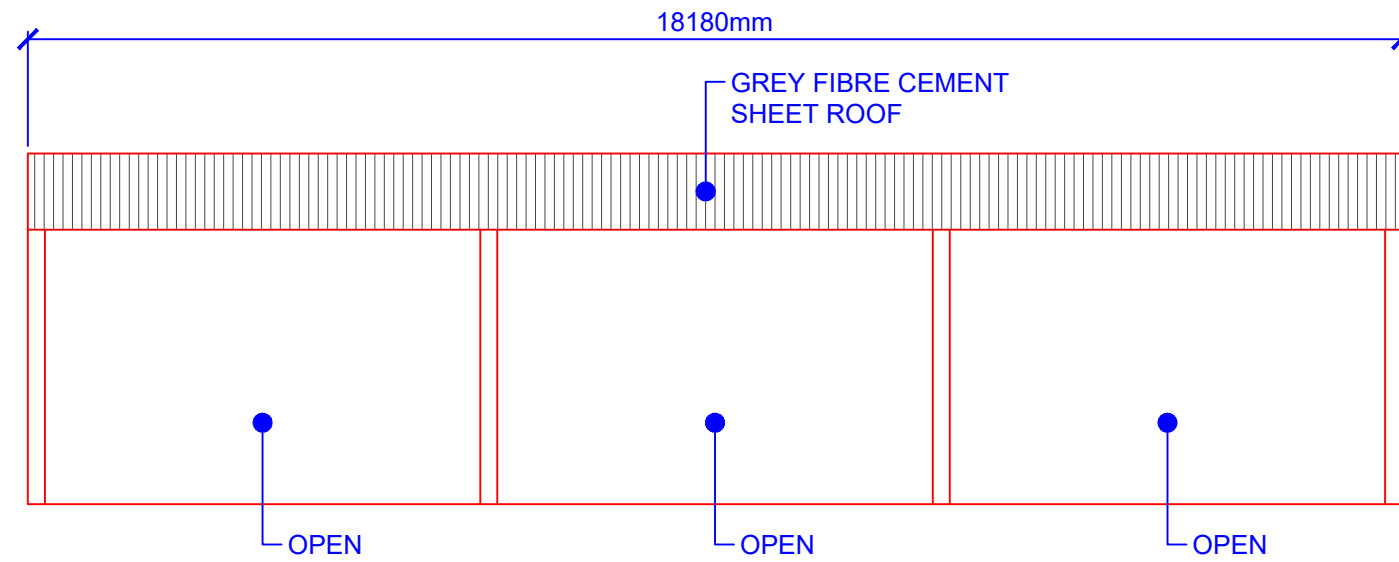
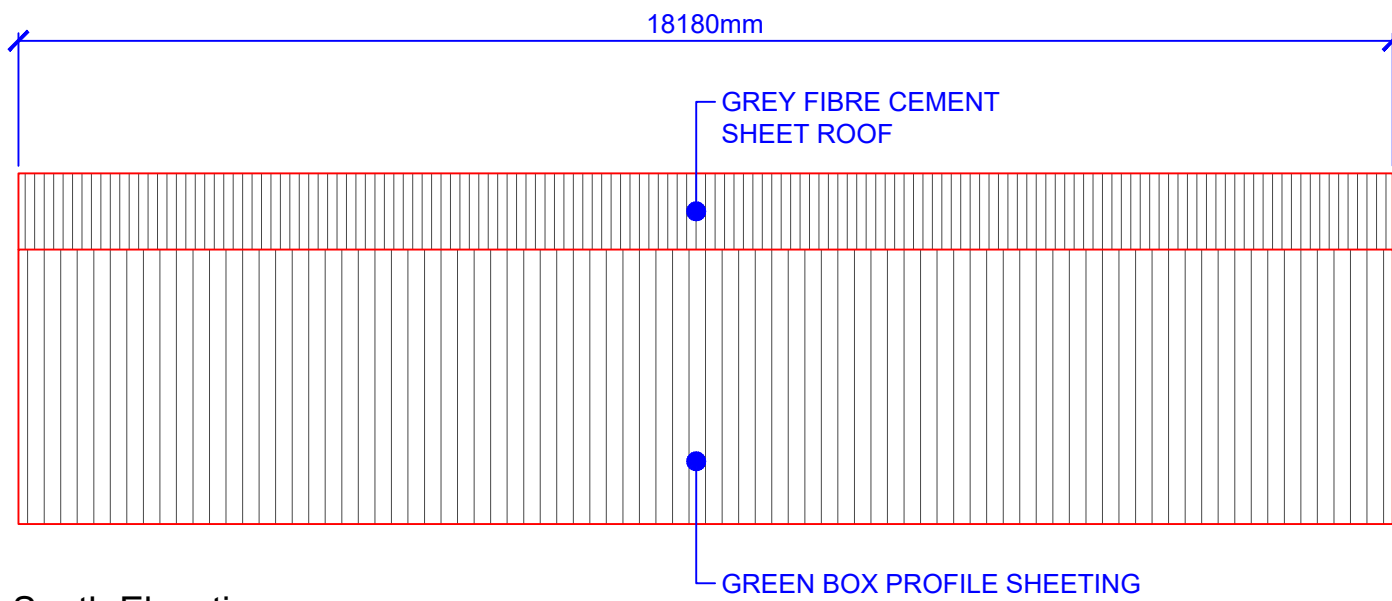


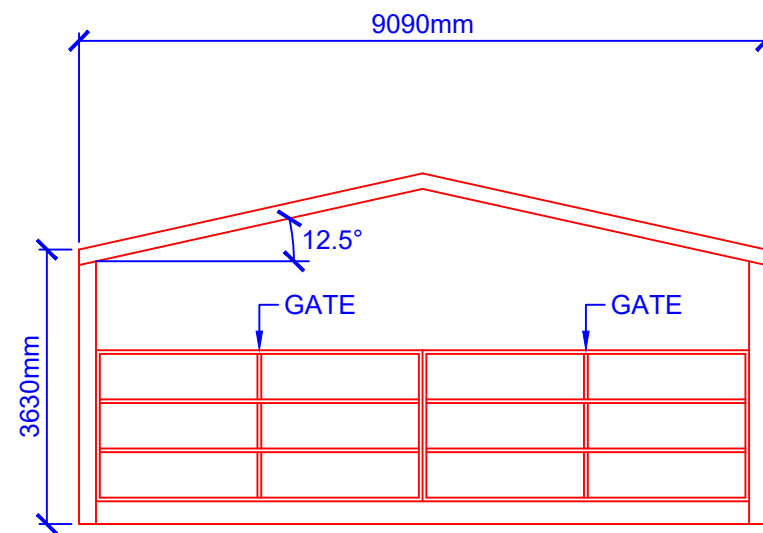
East Elevation
Scale 1:100



North Elevation
Scale 1:100

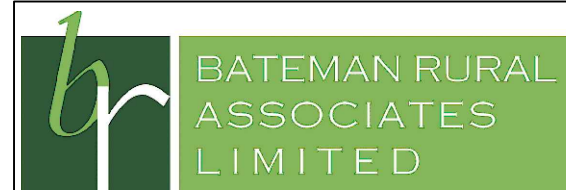


South Elevation
Scale 1:100



West Elevation
Scale 1:100

All dimensions shown in millimetres



Drawing Title:
Burrow Cottage
Proposed Elevations

Scale: 1:100 @ A3

Date: 06-04-21 **By:** SK

DWG No: Burrow Cottage-P1-03

