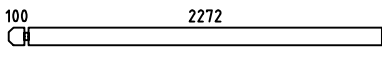
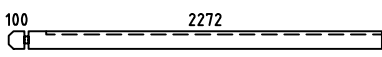

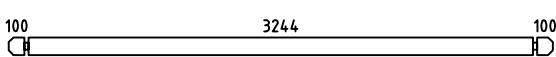
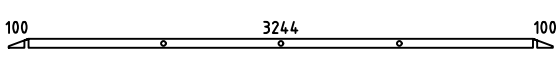
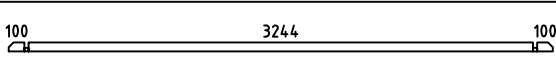
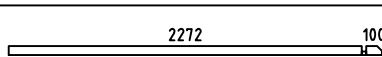
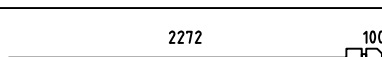
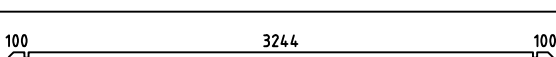
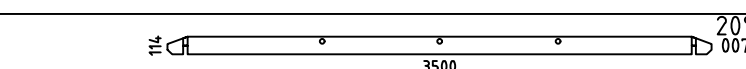
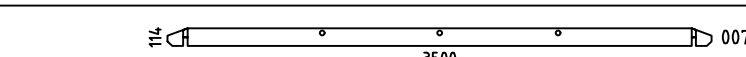

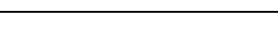
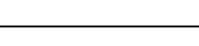
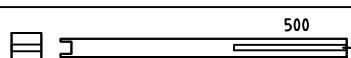
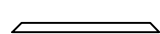


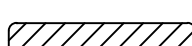
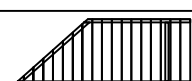
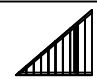
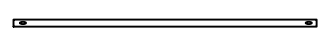
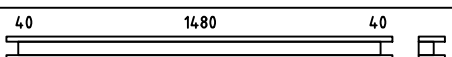

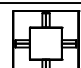
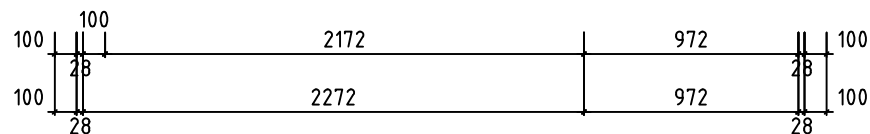
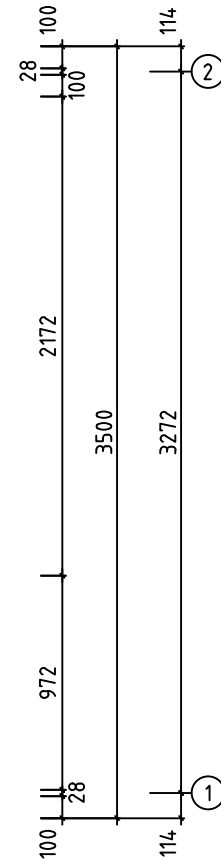
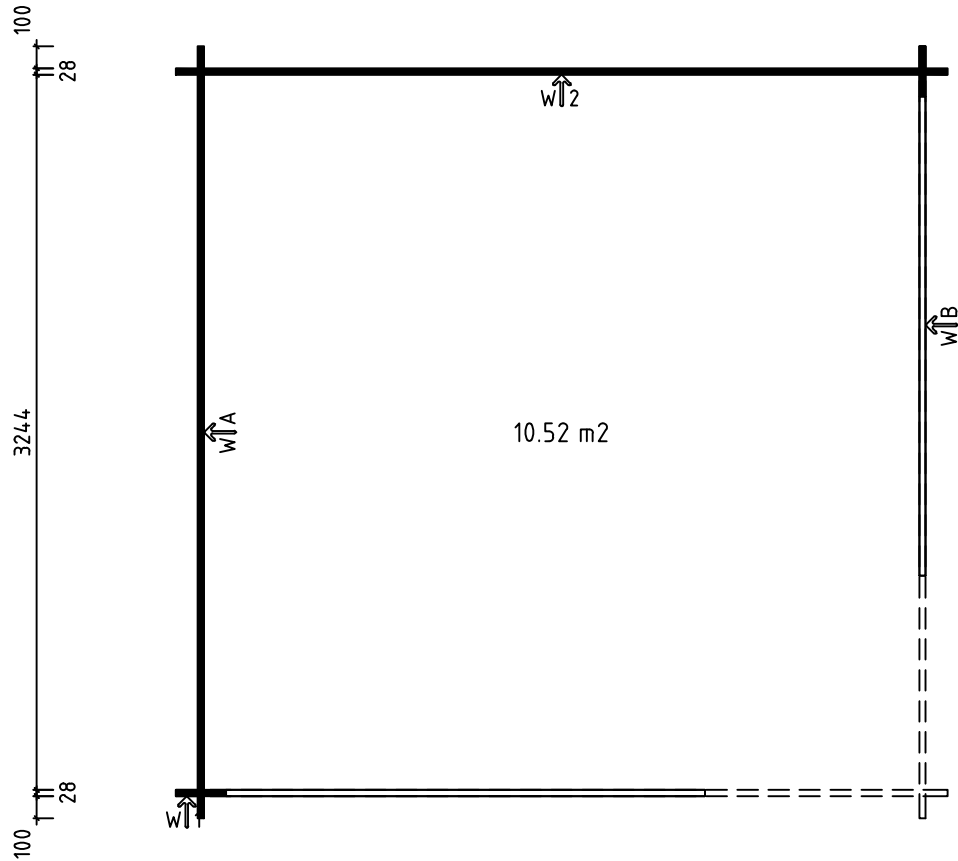
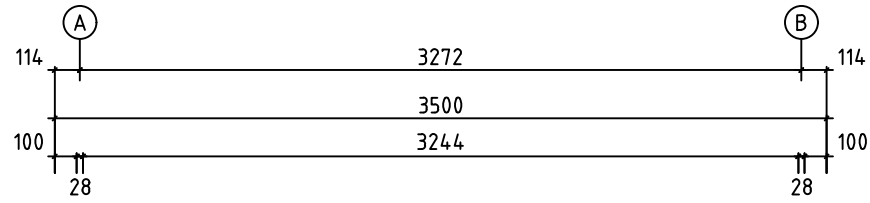


Mitch28

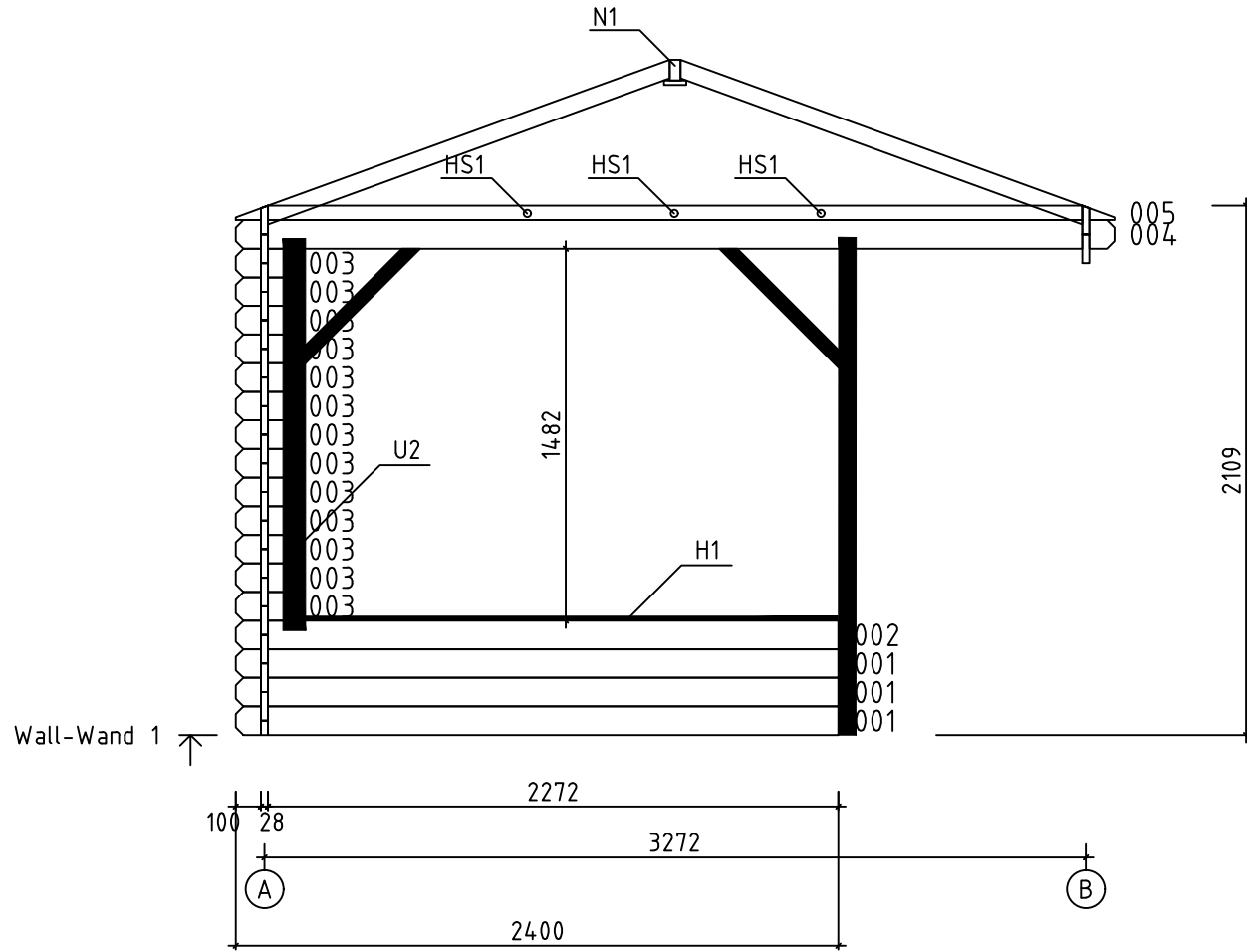
Pos	Specification-Spezifikation-Specificatie	St.	Profile (mm)	Length (mm)
001		6	28x114	2400
002		1	28x114	2400
003		25	28x114	228
004		36	28x114	3500
005		2	28x57	3500
006		1	28x57	3500
008		1	28x57	2400
009		1	28x114	2400
010		1	28x114	3500
WA-1		1		
WB-1		1		
SR1	RAFTER-DACHSPARREN-DAKSPAR 	4	44x70	2355
SR2	RAFTER-DACHSPARREN-DAKSPAR 	4	44x70	1729
SR3	RAFTER-DACHSPARREN-DAKSPAR 	4+4	44x70	1221
	-POST 85x85 	2		1983
	-Diagonal for POST 85x85 	4		500
HS1	Wood Bolt set-Holzschraubesatz-Hout Bout 8x80 	12		
	Eave Board-Traubret-Dakranden board 	4	18x70	3750
HL1	Handrail-Handlauf 	2	18x70	2120
DE3	Roof Panel 3-Dach Elemente 3-Dakpanelen 3 	4+4	1966x495	
DE1	Roof Panel-Dach Elemente-Dakpanelen 	4+4	1445x1347	
	Storm Brace-Sturmleiste 	3	18x40	2000
	U-Profile2 	2		1562
	Adjustable foot-Stellfuß+Schrauben 5x40 4stück für Post 	2		
N1	Ridge piece-Firstelement-Nokstuk 	1		



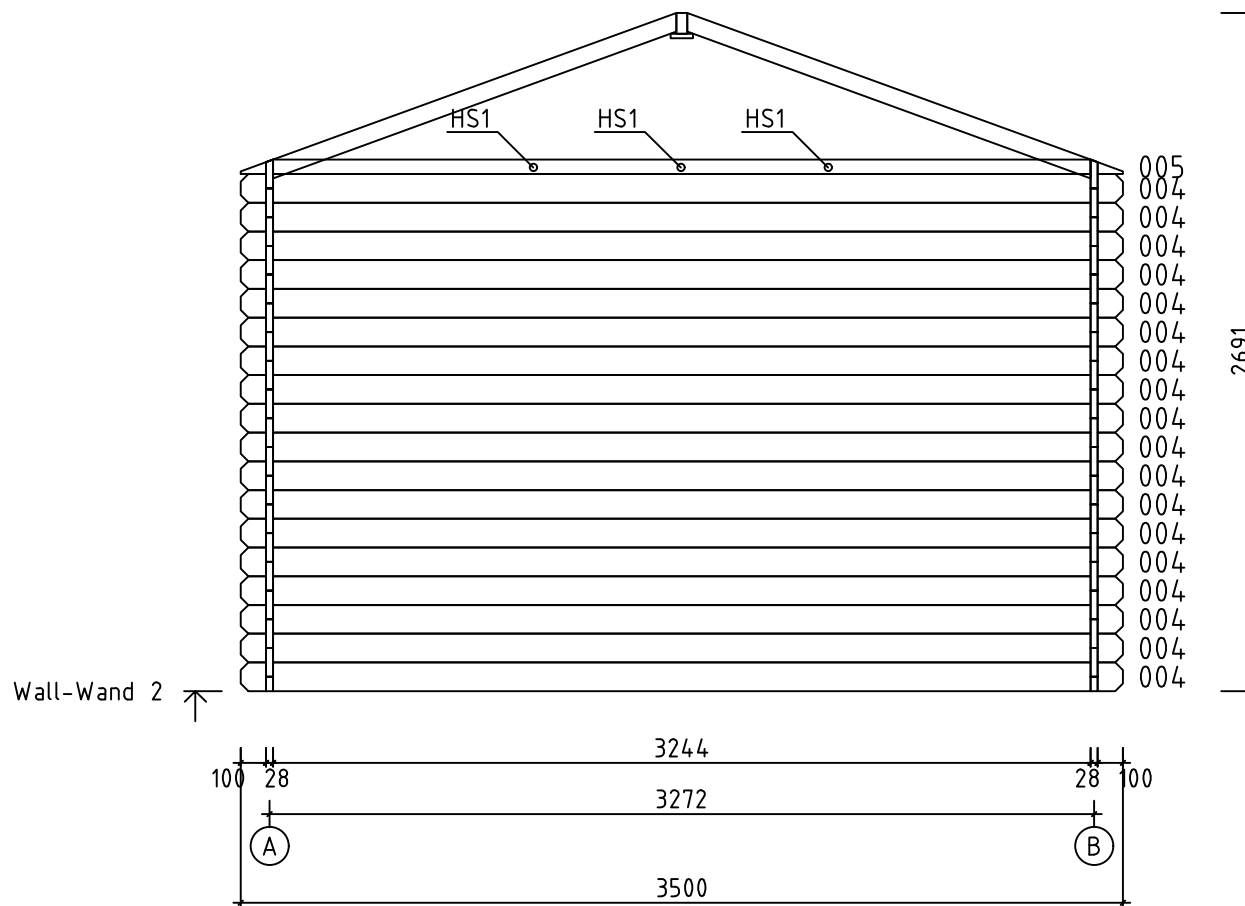
TOTAL: 10.52 m<sup>2</sup>



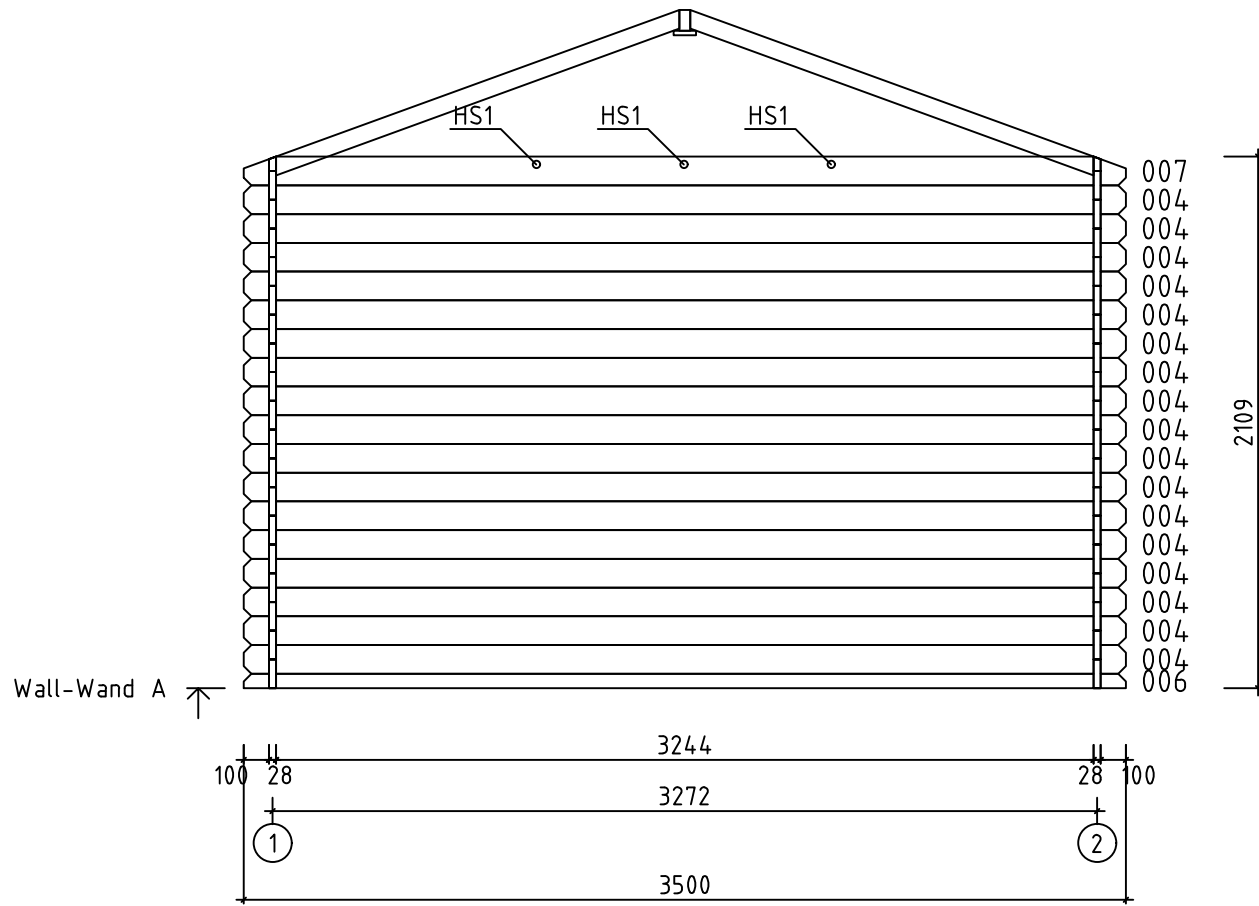
Model	Mitch28	Page	
Client		Scale	1:30
Material	28x114mm	Date	19.04.2017
Company		File	Mitch28.dwg



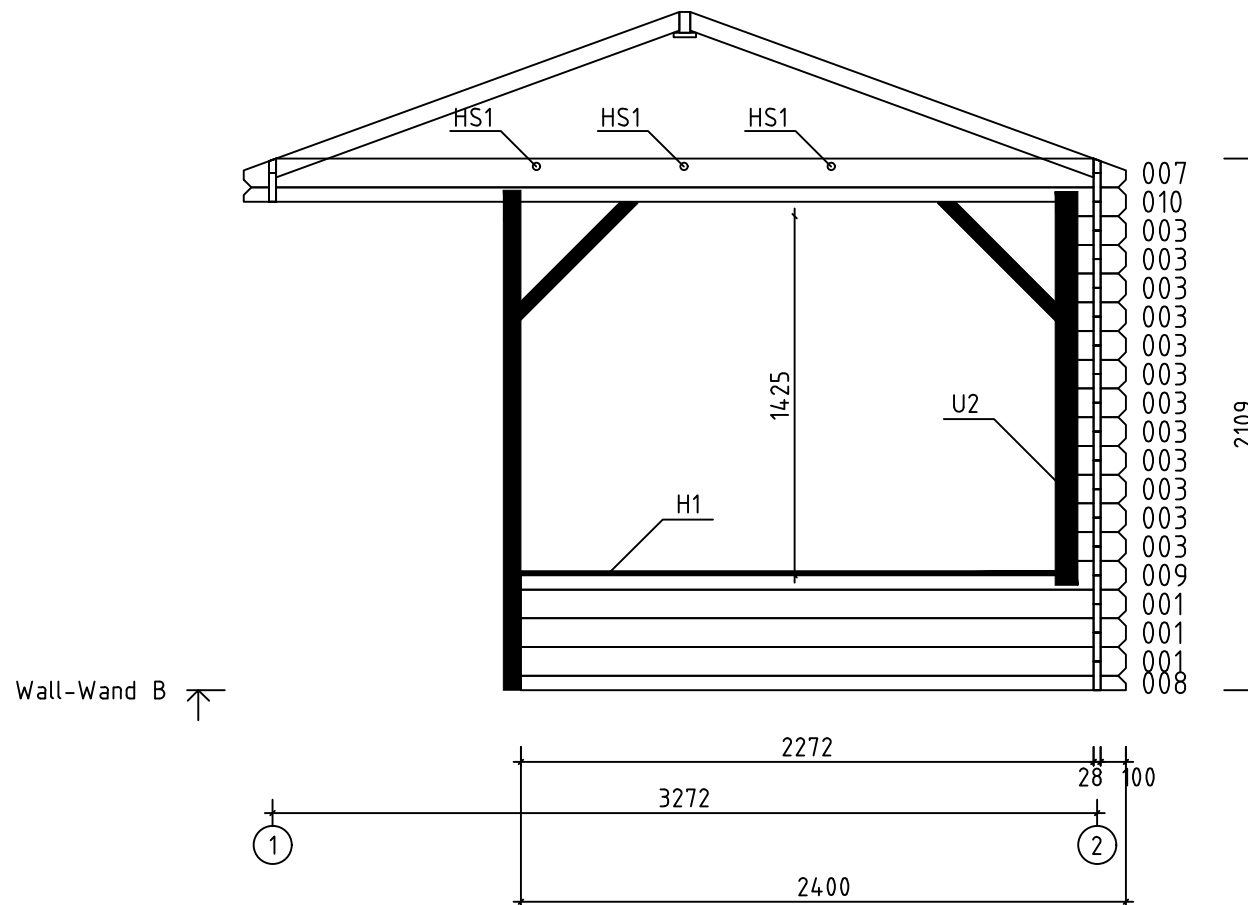
Model	Mitch28	Page	4
Client		Scale	1:30
Material	2.8x11.4	Date	06.08.2020
Company		File	Mitch28.dwg



Model	Mitch28	Page	5
Client		Scale	1:30
Material	2.8x11.4	Date	06.08.2020
Company		File	Mitch28.dwg

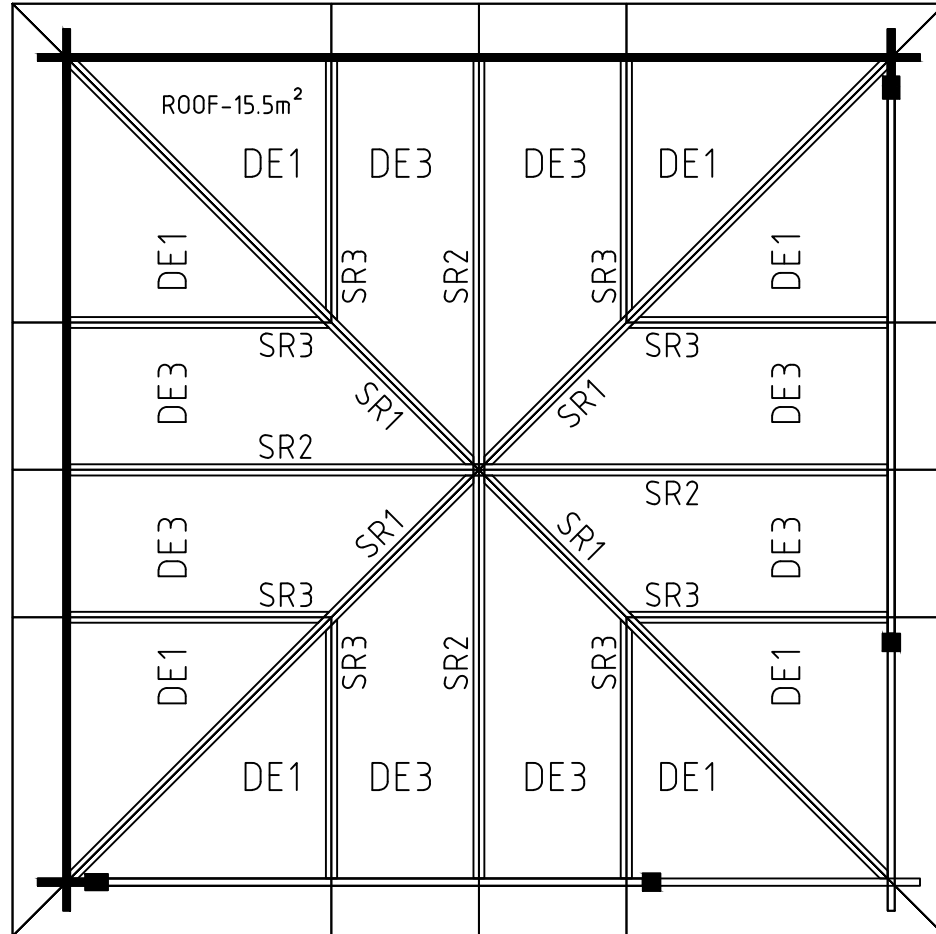


Model	Mitch28	Page	2
Client		Scale	1:30
Material	2.8x11.4	Date	06.08.2020
Company		File	Mitch28.dwg

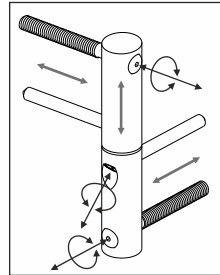
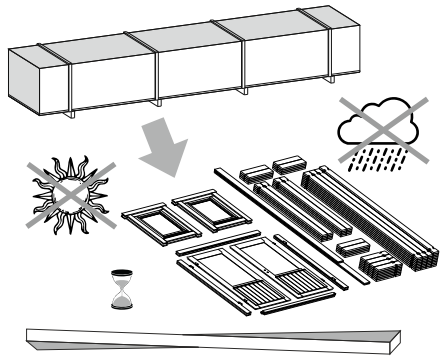
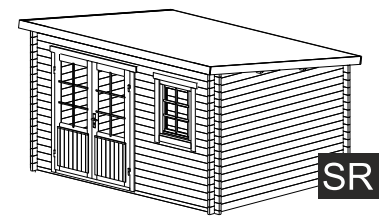
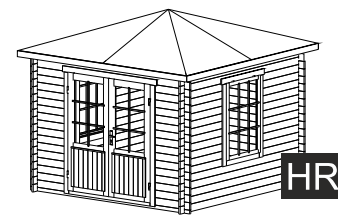
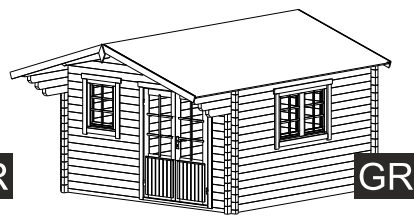
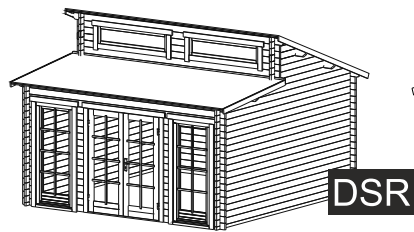
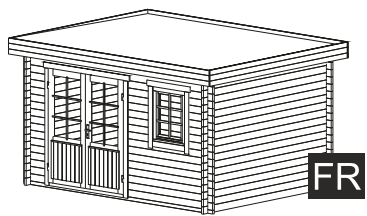


Model	Mitch28	Page	3
Client		Scale	1:30
Material	2.8x11.4	Date	06.08.2020
Company		File	Mitch28.dwg



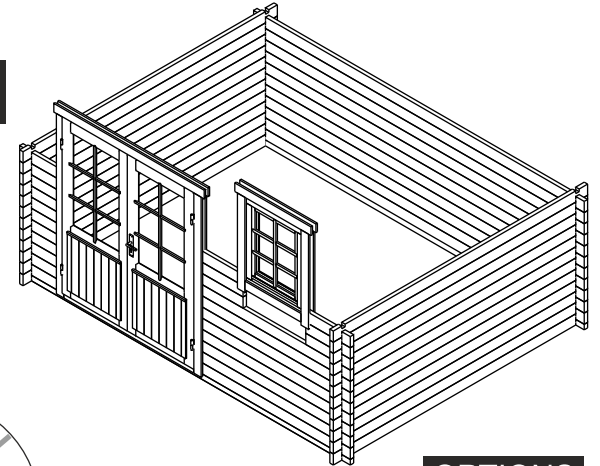


Model	Mitch28	Page	
Client		Scale	1:30
Material	28x114mm	Date	19.04.2017
Company		File	Mitch28.dwg

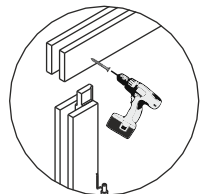
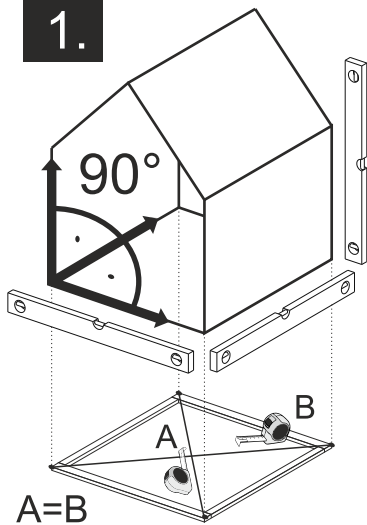


ADJUSTABLE HINGES

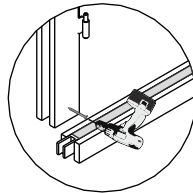
3.



1.

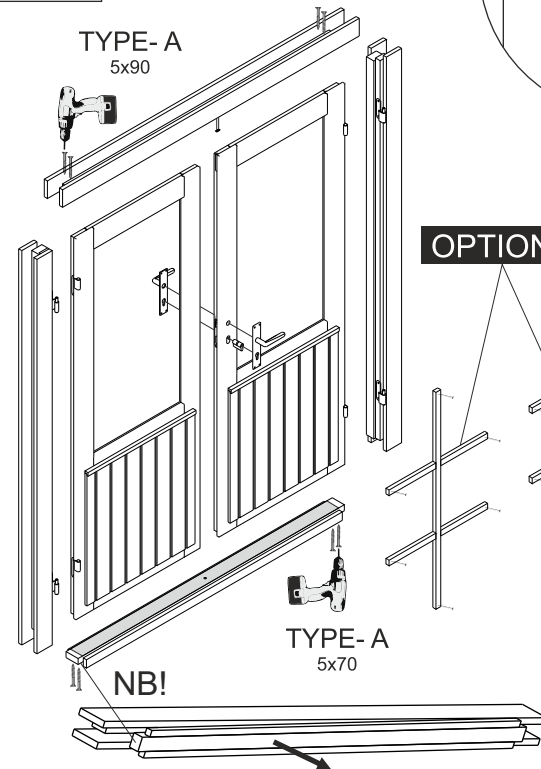


TYPE- B  
4x60

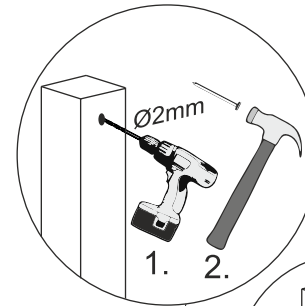


TYPE- A  
5x70

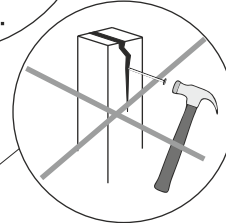
2.



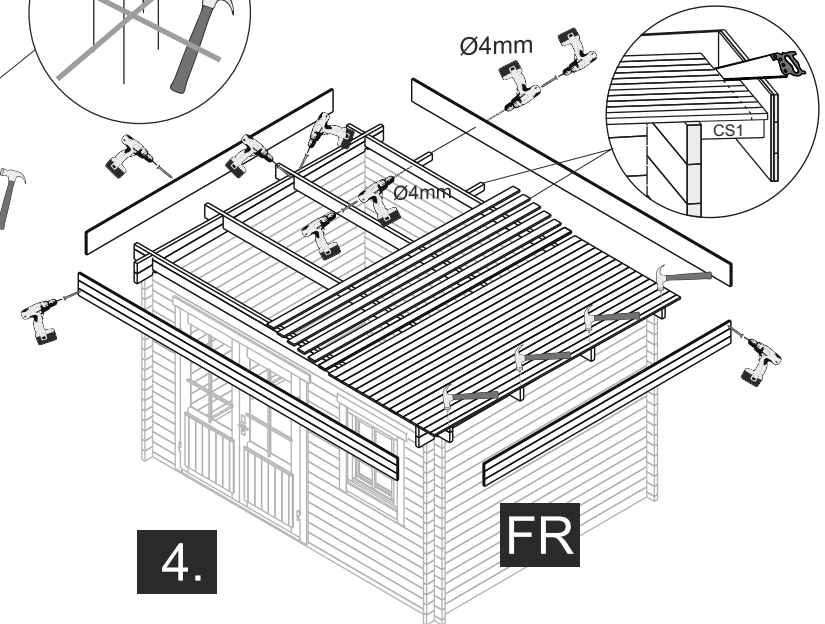
OPTIONS



1. 2.

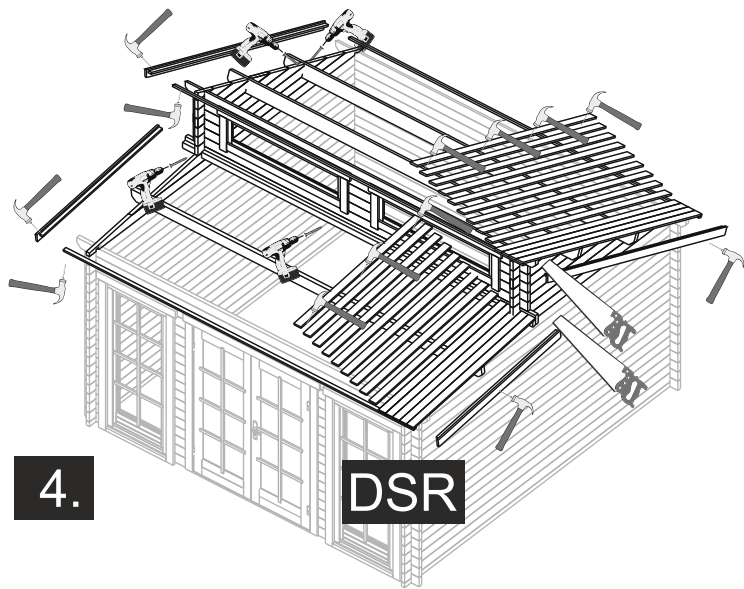


4.

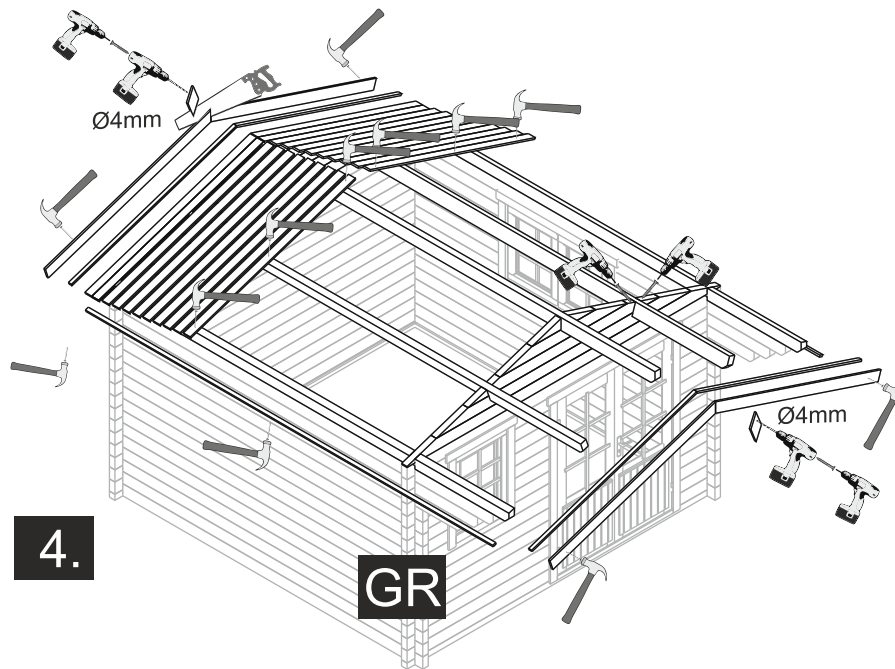


OPTIONS

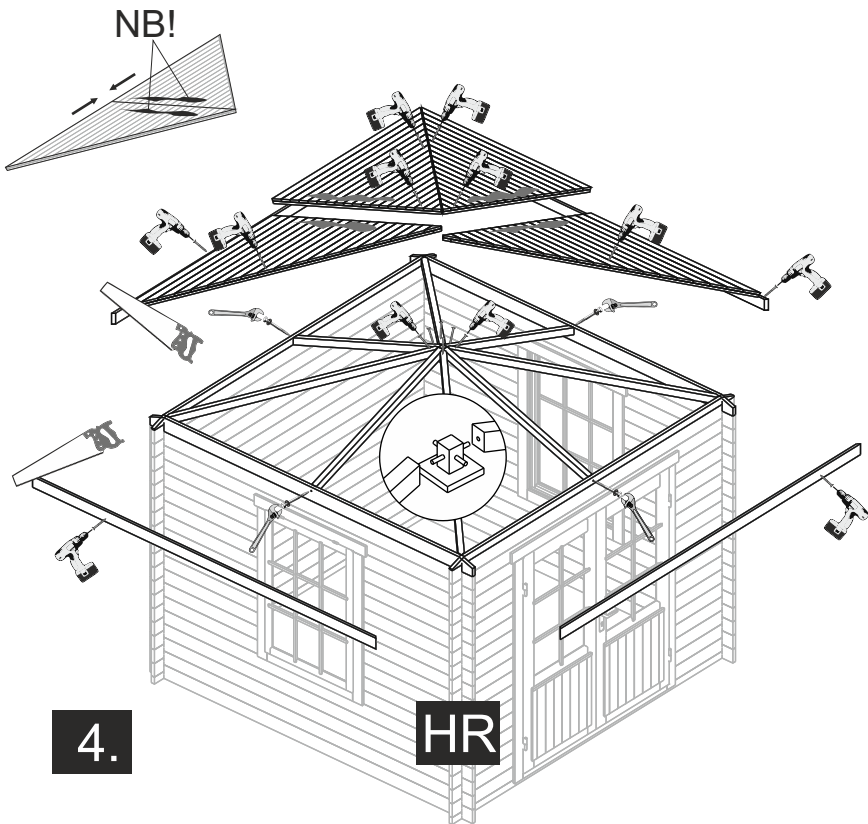
The guide is illustrative. This guide is not project specification.  
Der Leitfaden ist illustrativ. Dieser Leitfaden ist keine Projektspezifikation.  
De gids is illustratief. Deze gids is geen projectspecificatie.



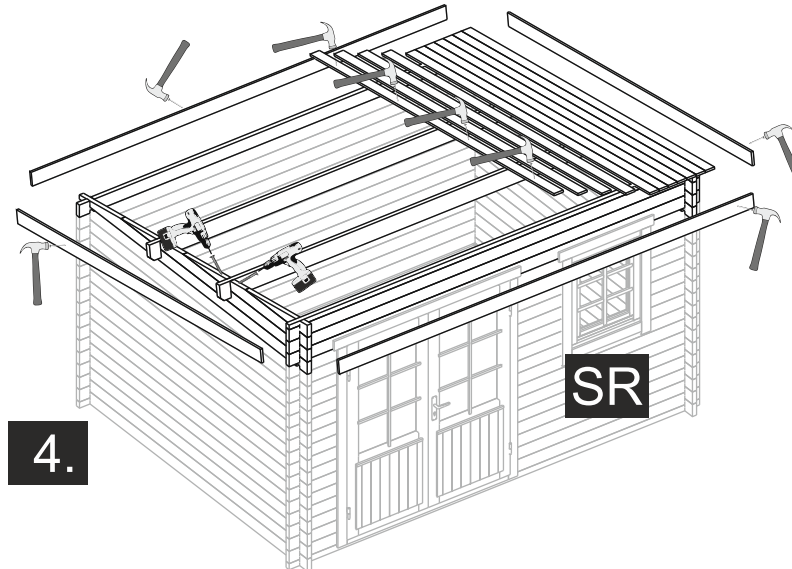
**DSR**



**GR**

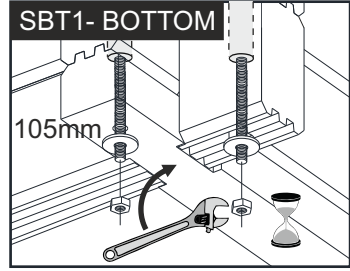
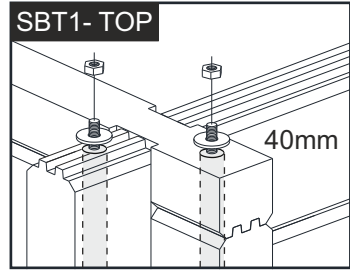
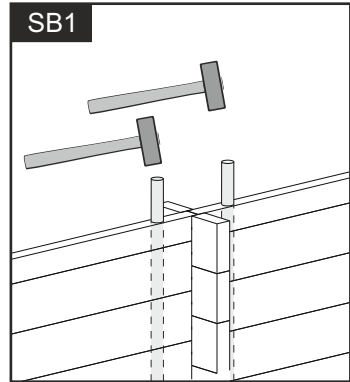


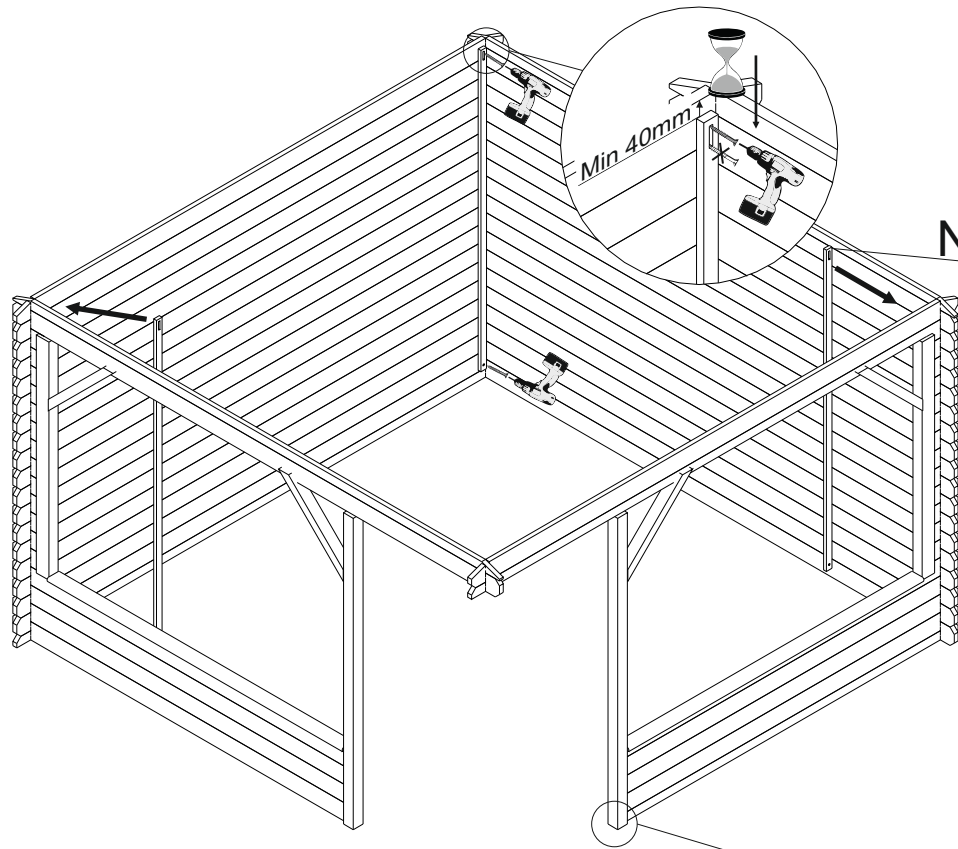
**HR**



**SR**

**OPTIONS**





Min 40mm

NB!

