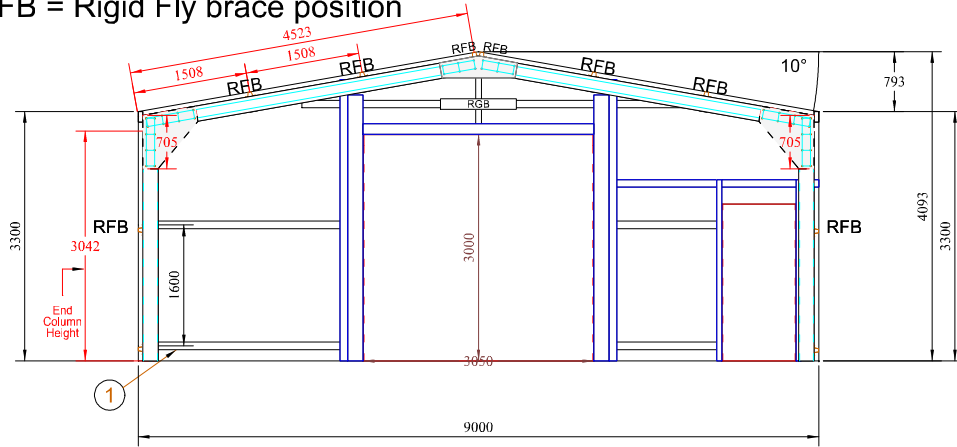
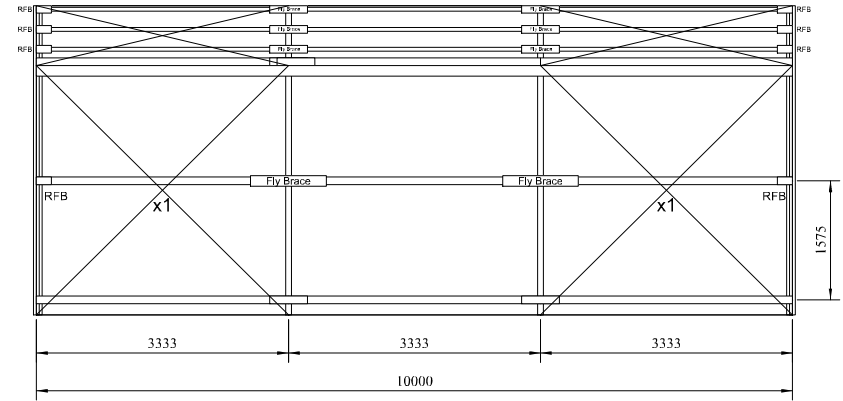


Diagonal lines indicate Strap bracing  
 FB = Fly brace position  
 RFB = Rigid Fly brace position

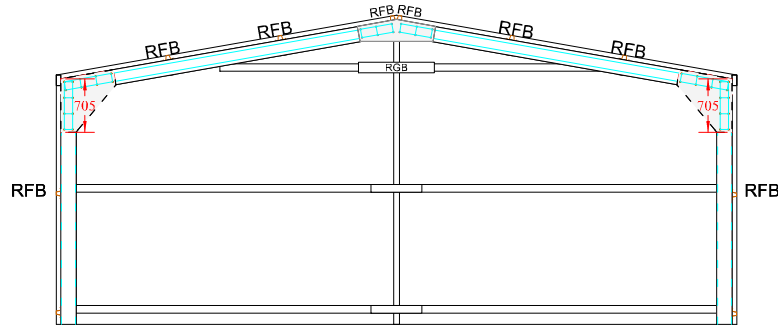
1 - First line of wall girts is 150 mm above slab



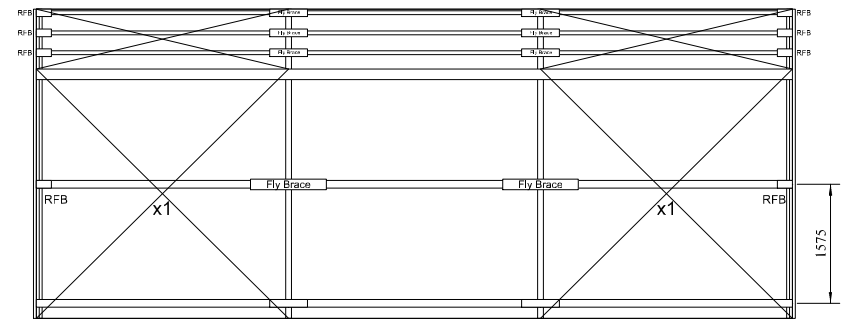
Front Elevation Frame (Scale = 1:100)



Left Elevation Internal Frame (Scale = 1:100)



Back Elevation Frame (Scale = 1:100)



Right Elevation Frame (Scale = 1:100)

SCALE BAR: 0 5 10 20 30 (1:100)



**Capital Steel Limited**

Web: [www.capitalsteelbuildings.co.uk](http://www.capitalsteelbuildings.co.uk)  
 Email: [info@capitalsteelbuildings.co.uk](mailto:info@capitalsteelbuildings.co.uk)

Supplied By: Murray Steel Buildings

Phone 01383 668820  
 Email [peter@murraysteelbuildings.com](mailto:peter@murraysteelbuildings.com)

Customer: Mark Buxton

Core Wire, Station Road West, Ash Vale, ALDERSHOT,  
 GU12 5LZ