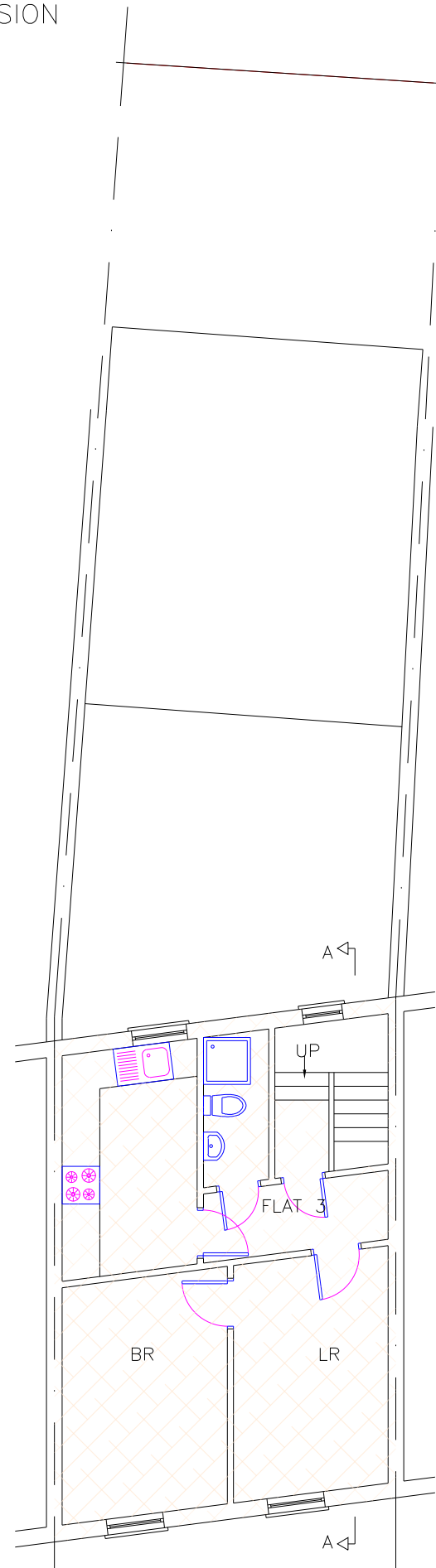
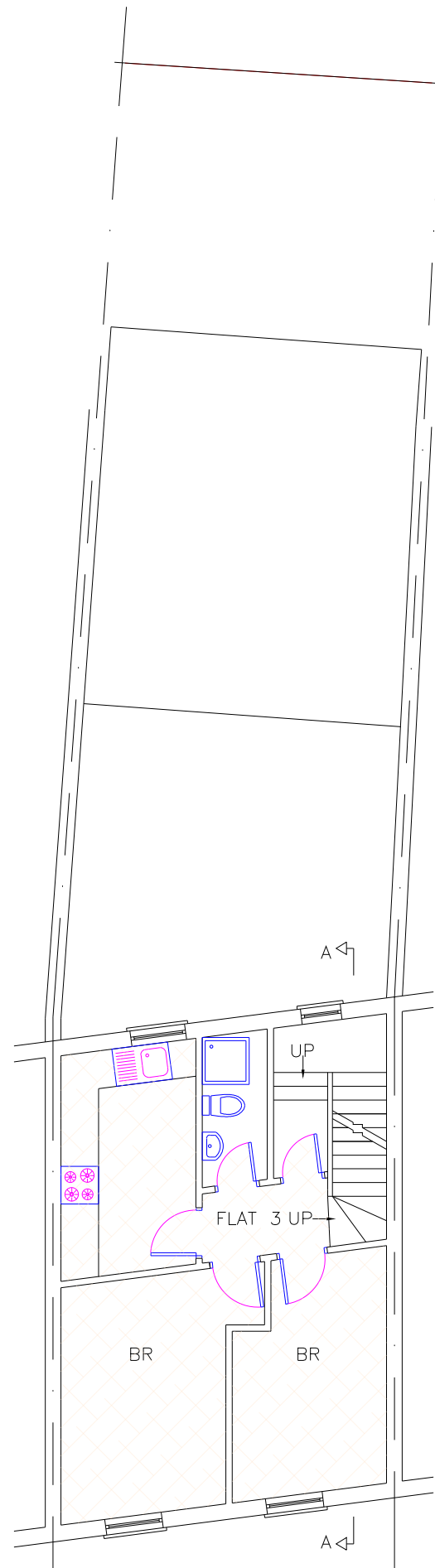


47A WESTHAM LANE LOFT CONVERSION



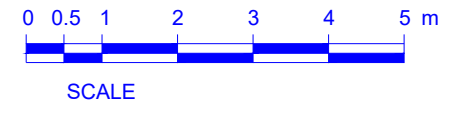
EXISTING SECOND FLOOR LAYOUT



PROPOSED SECOND FLOOR LAYOUT

NOTES

DRAWING SHOWING EXISTING AND PROPOSED SECOND FLOOR PLANS  
 FLOOR PLAN SHOWING ENTRANCE TO FLAT 3 AND EXTENSION TO FLAT 3 ROOF SPACE.



S HANSPAL BSC MRICS  
 07832384893

PROPOSED LOFT CONVERSION  
 FOR MR A ONIGBANJO

FLAT 3  
 47A WESTHAM LANE  
 LONDON  
 E15 4PH

DWG No.	SCALE	DATE
WHLLC.03	1:100@A3	MAY 2021