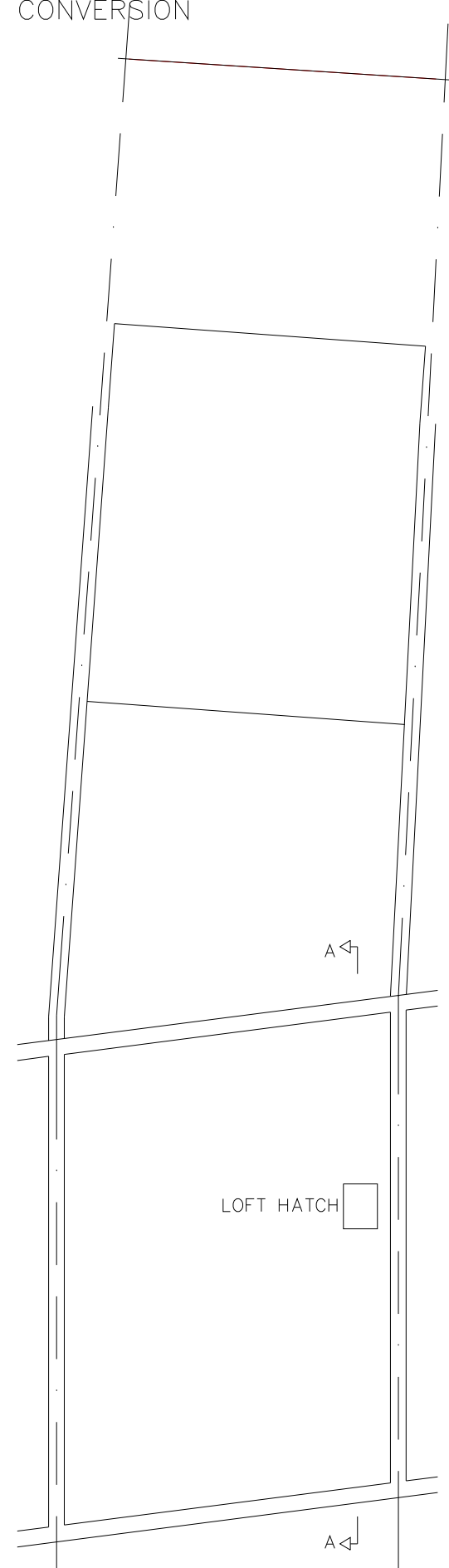
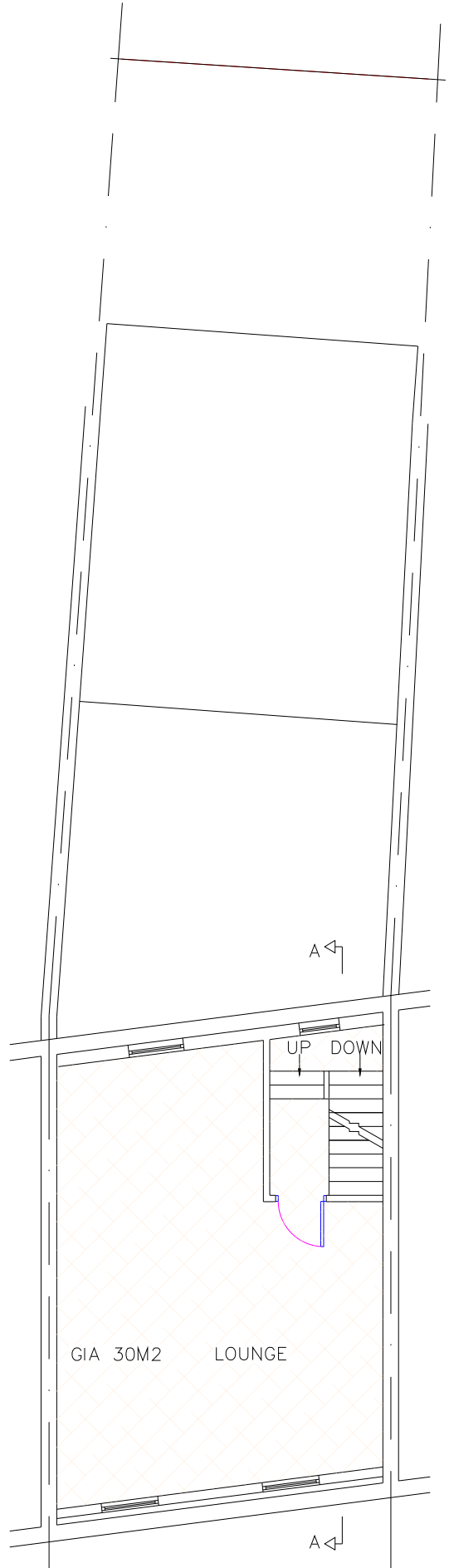


47A WESTHAM LANE LOFT CONVERSION



EXISTING LOFT LAYOUT

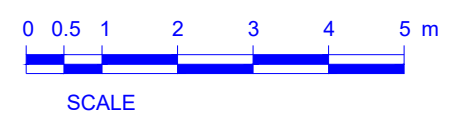


PROPOSED LOFT LAYOUT

NOTES

DRAWING SHOWING EXISTING LOFT LAYOUT TO CENTER VALLEY ROOF.

LOFT CONVERSION TO FLAT 3.



S HANSPAL BSC MRICS  
07832384893

PROPOSED LOFT CONVERSION  
FOR MR A ONIGBANJO

FLAT 3  
47A WESTHAM LANE  
LONDON  
E15 4PH

DWG No.	SCALE	DATE
WHLLC.04	1:100@A3	MAY 2021