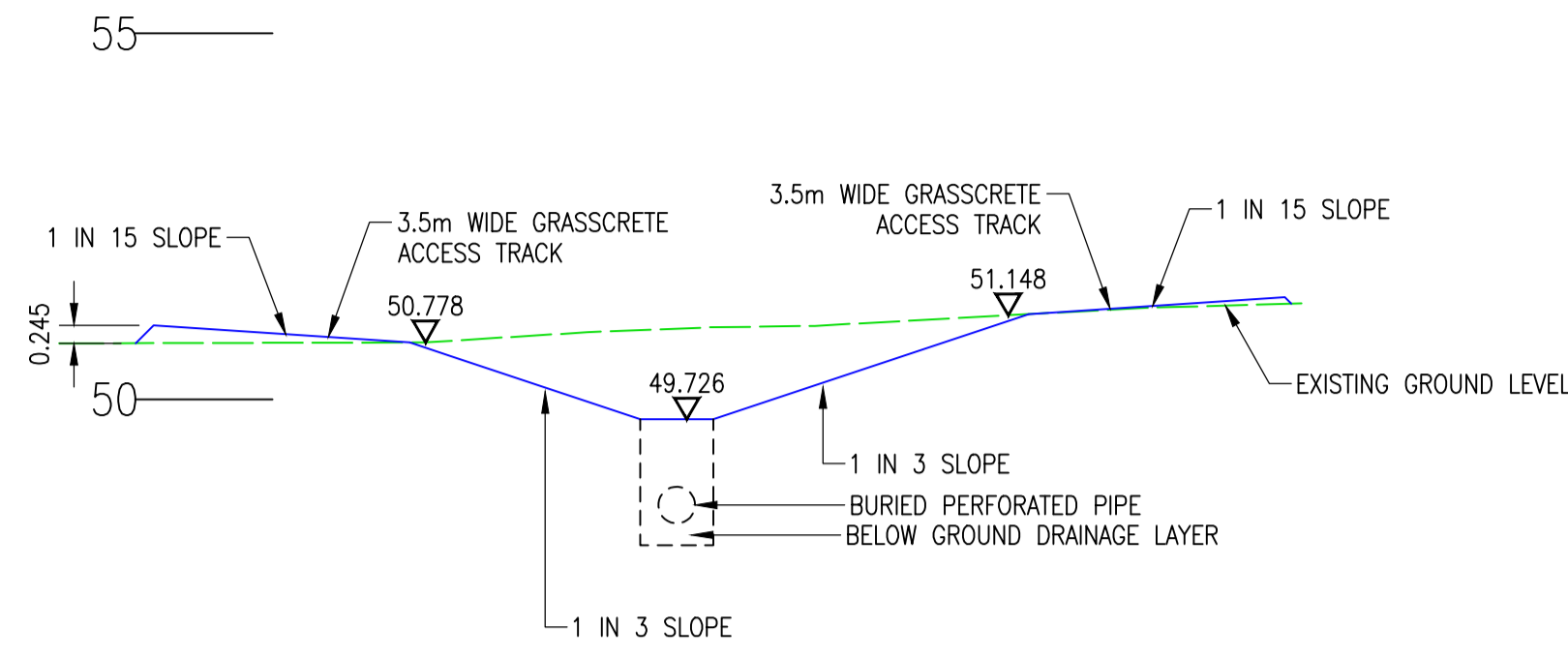
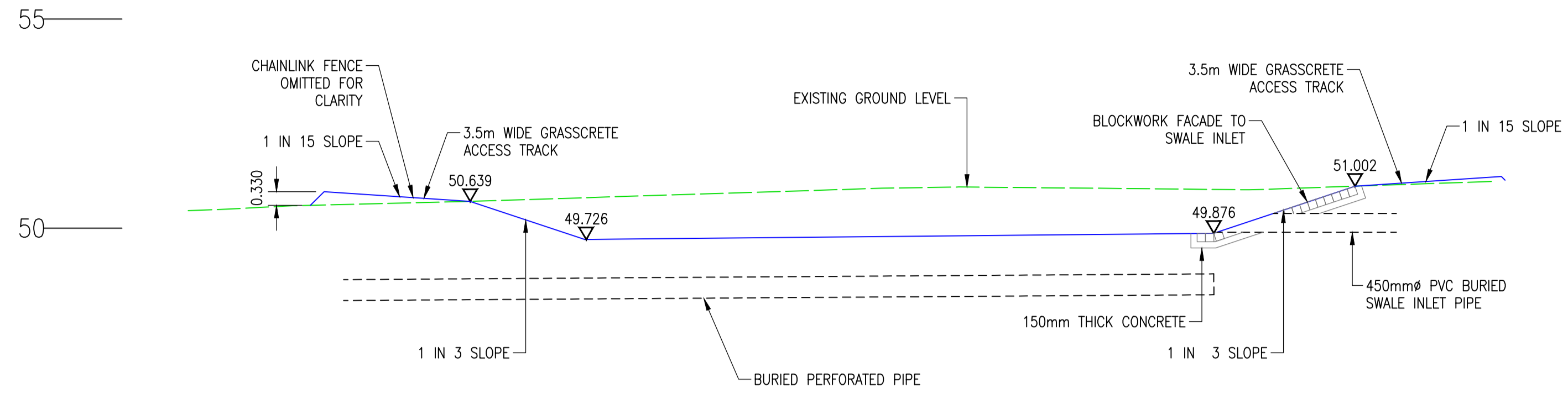


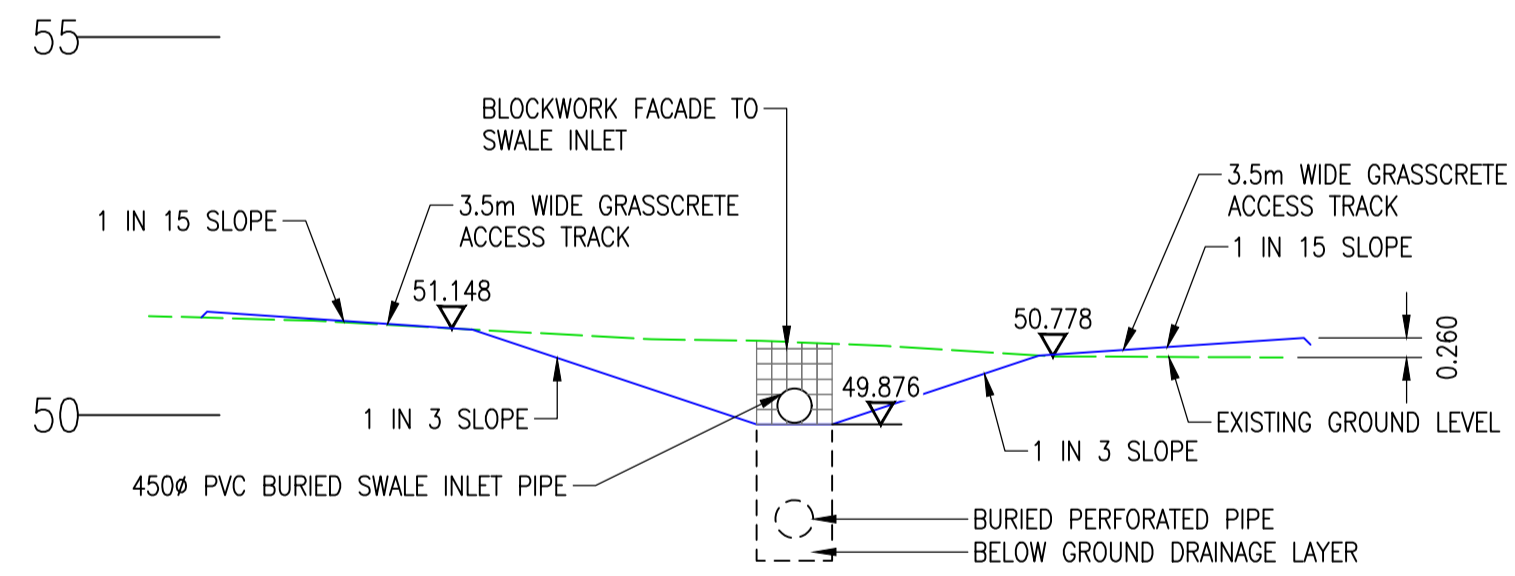
- Notes:
1. All dimensions are in metres unless noted otherwise.
 2. All levels are in metres and reduced to Ordnance Datum unless noted otherwise.



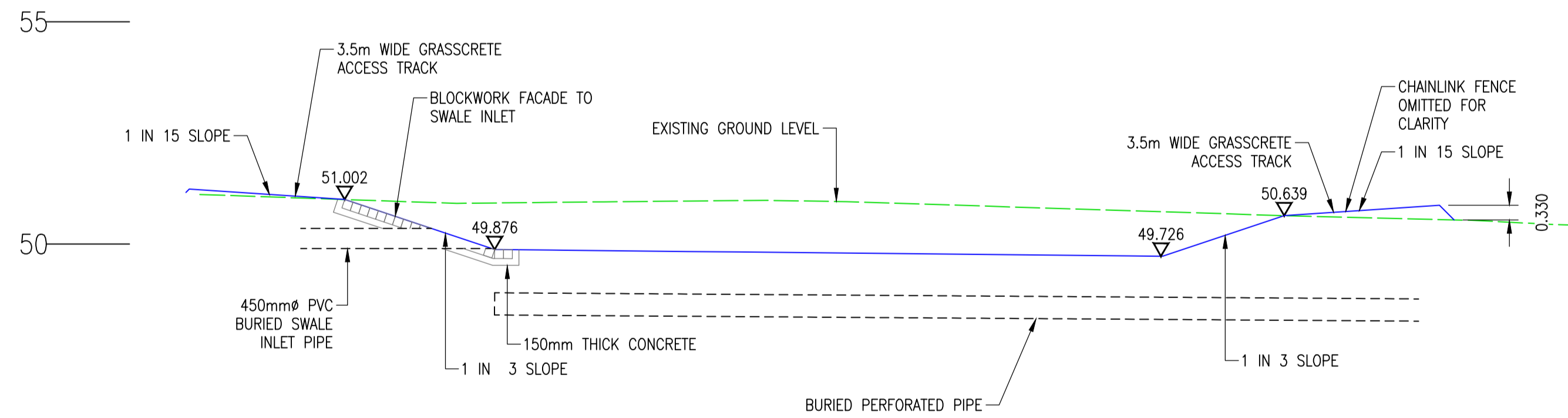
ELEVATION 5-5



ELEVATION 6-6



ELEVATION 7-7



ELEVATION 8-8

FOR PREVIOUS REVISIONS OF THIS FILE SEE DRAWING NO. 501017-SN-DRA-04180103

References:

DOA0003330-SN-DRA-04017101	Location Plan
DOA0003330-SN-DRA-04017102	Site Plan
DOA0003330-SN-DRA-04017103	Pond Elevations
DOA0003330-SN-DRA-04017105	Outfall Elevations

Rev	Description	Drawn	Chk'd	App'd	Date

This drawing is the property of Scottish Water and must not be copied or used for any purpose other than that for which it is supplied without the written consent of Scottish Water.

Scottish Water
Trusted to serve Scotland

SCOTTISH WATER
CASTLE HOUSE
6 CASTLE HOUSE
CARNegie CAMPUS
DUNFERMLINE
FIFE KY11 8GG
TEL: 01383 848200
FAX: 01383 848371

CALEDONIA WATER ALLIANCE
11 FLOOR, BUCHANAN TOWER
BUCHANAN BUSINESS PARK
CUMBERNAULD ROAD, STEPPS
GLASGOW G33 6HZ
TEL: 0141 212 6610

Originated By SDR	Drawn By AMc	Checked By CMcN	Approved By GDH
Date 15-Apr-21	Date 30-Apr-21	Date 30-Apr-21	Date 03-May-21

Scale: 1:100
Status: FOR INFORMATION

Project Title: SHIELDAIG ROAD

Drawing Title: PLANNING DRAWING
NEW SWALE
ELEVATIONS

ELLIPSE EQUIPMENT No. AAAAAAAAAA
ELLIPSE PLANT No. XXXXXXXXXX | AUTOCODE No. 501017

Drawing No. DOA0003330-SN-DRA-04017104-0A

