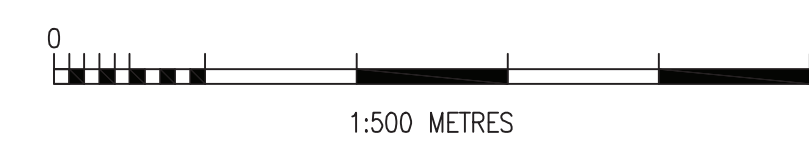
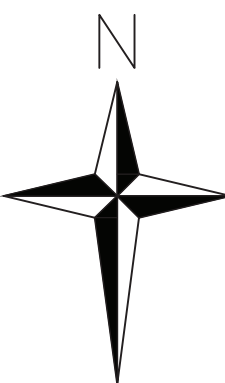


Appendix E

Surface Water Drainage Surface Water Drainage Schematic

Do not scale from this drawing.



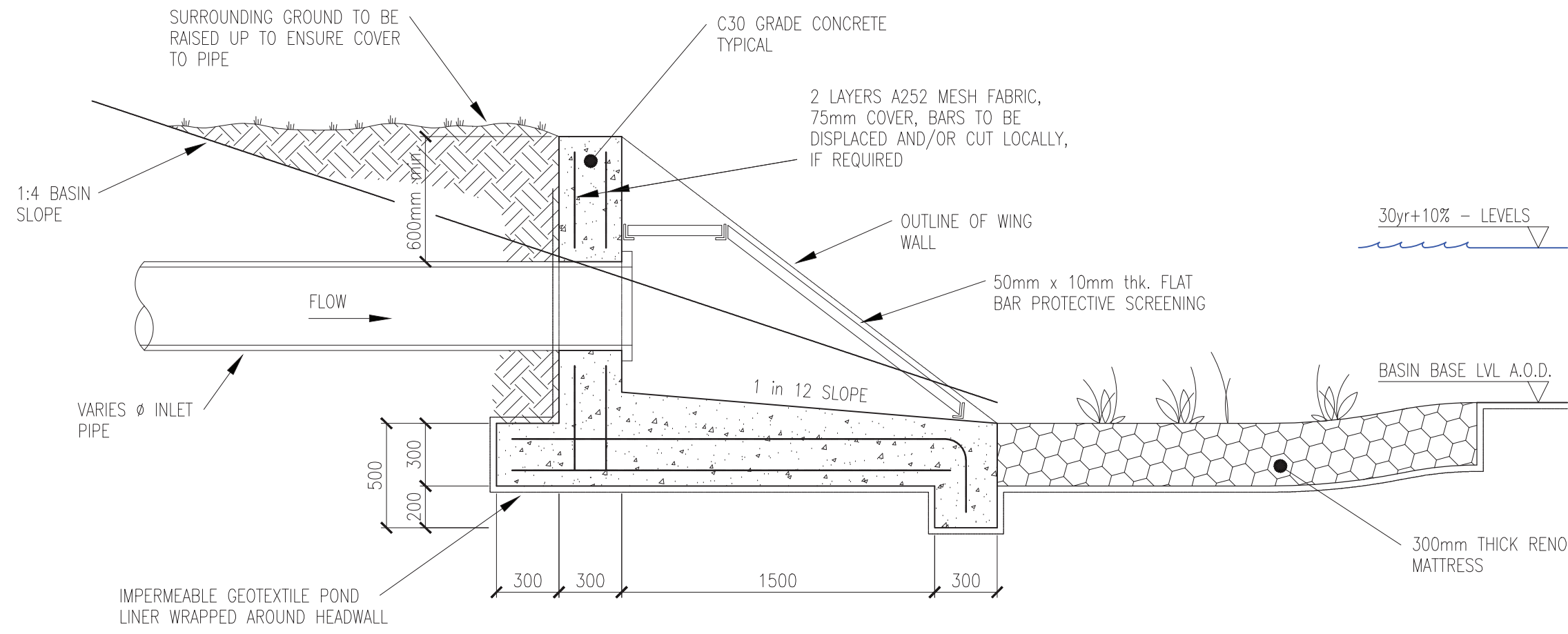
THIS IS THE PLAN/DRAWING/SPECIFICATION REFERRED TO IN THE APPLICATION.
SIGNED:
DATED:



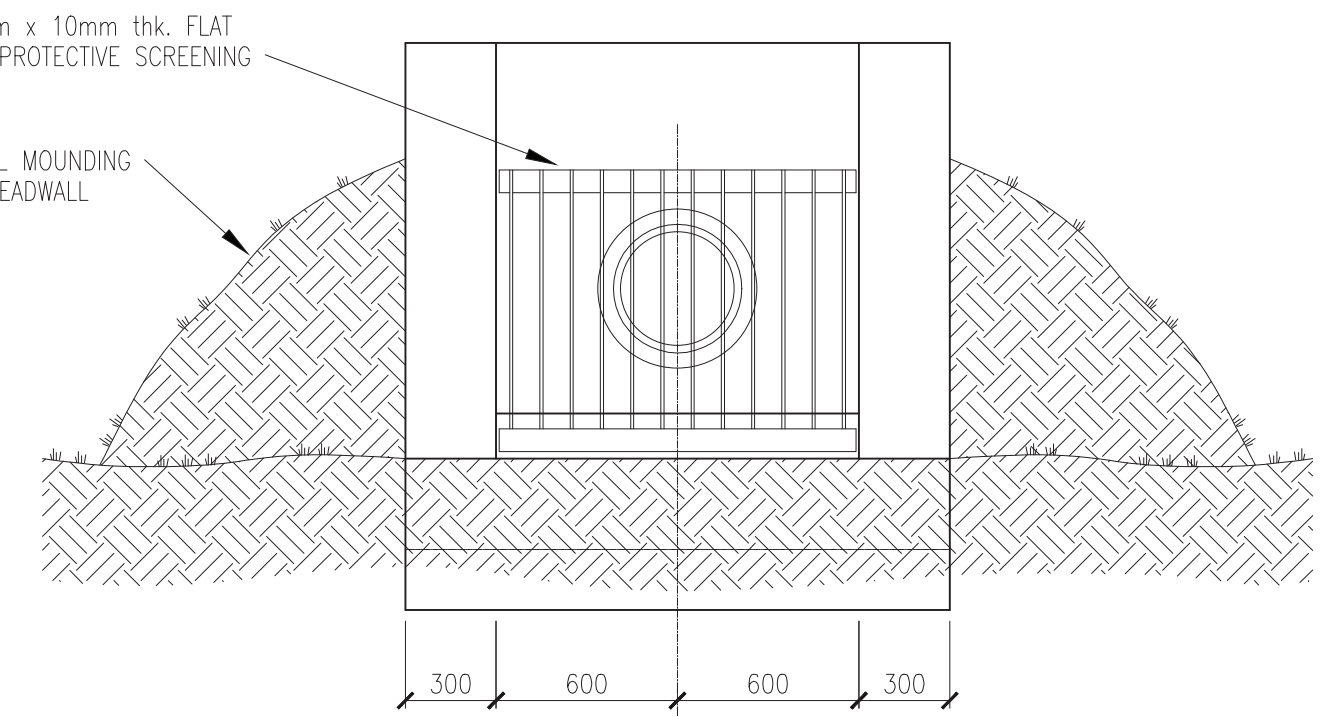
FAIRHURST		Description		Drawn	Checked	Approved
275 Broom Street GLASGOW G2 4JZ		BARRATT ROHMES Build & Groundwork				
Tel: 0141 204 8800 Fax: 0141 204 8801		Project Title: ROBROYSTON/MILLERSTON ROBROYSTON ROAD GLASGOW				
Drawing Title: INFRASTRUCTURE APPLICATION SURFACE WATER DRAINAGE LAYOUT						
Scale of A3: 1:500	Status: For Approval	Drawn: RS	Checked:	Approved:	Date: 29/04/21	Date:
Drawing No: 1024972962 - /SURFACE	Revision					

Appendix F

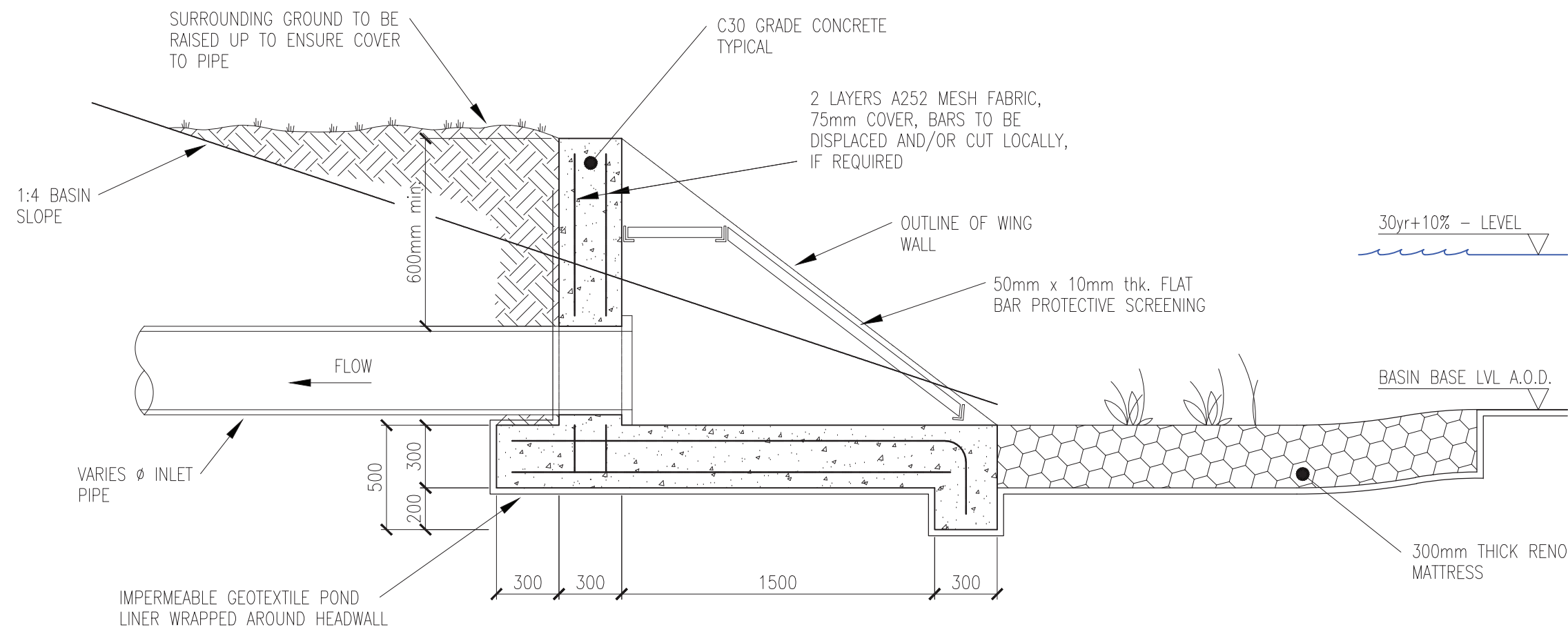
Typical Headwall Detail



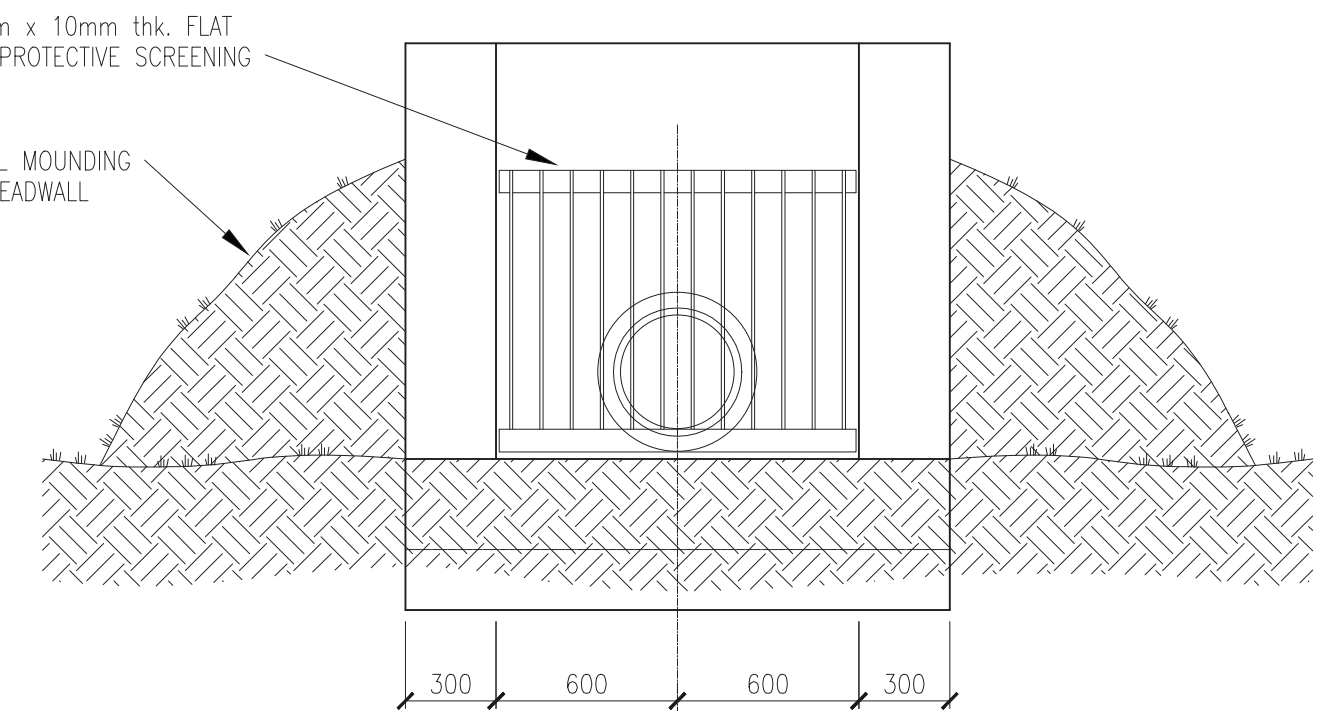
TYPICAL SECTION THROUGH INLET HEADWALL
(scale 1:25)



TYPICAL SECTION ELEVATION ON INLET HEADWALL
(scale 1:25)



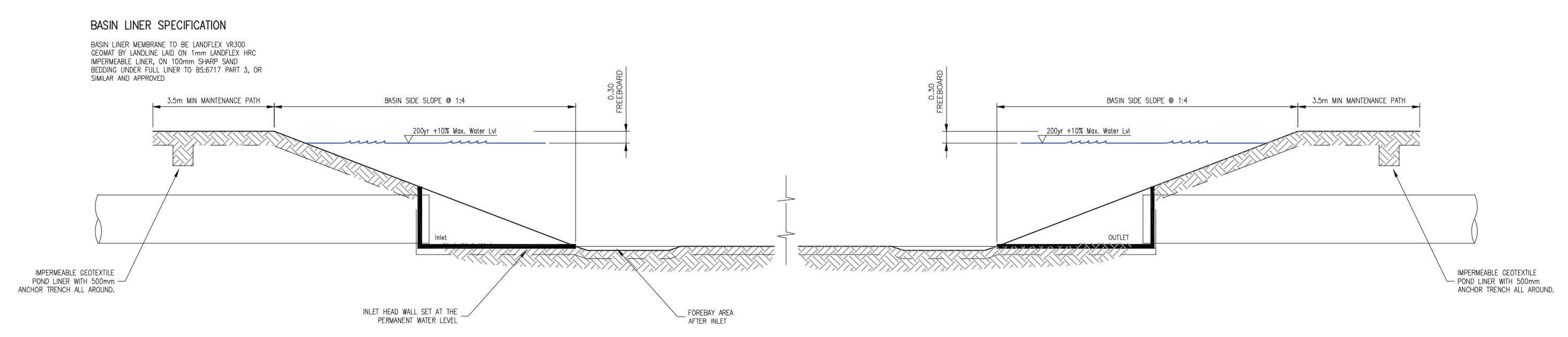
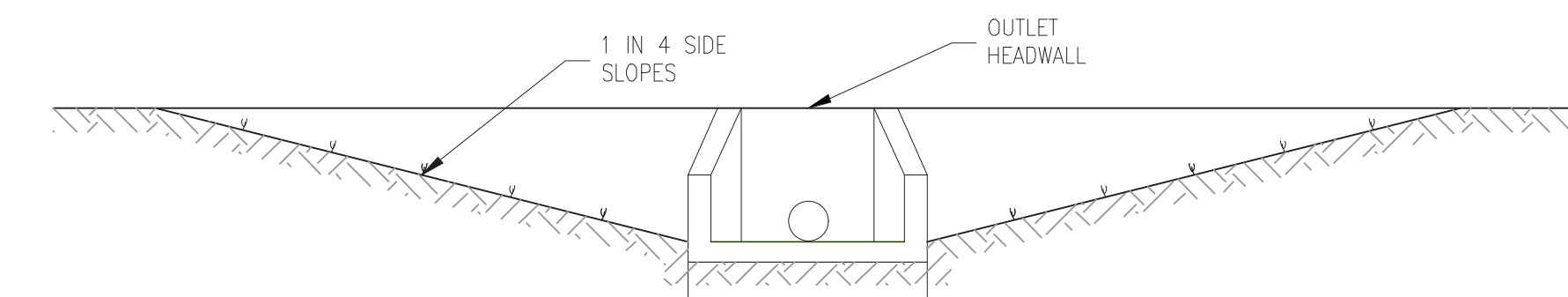
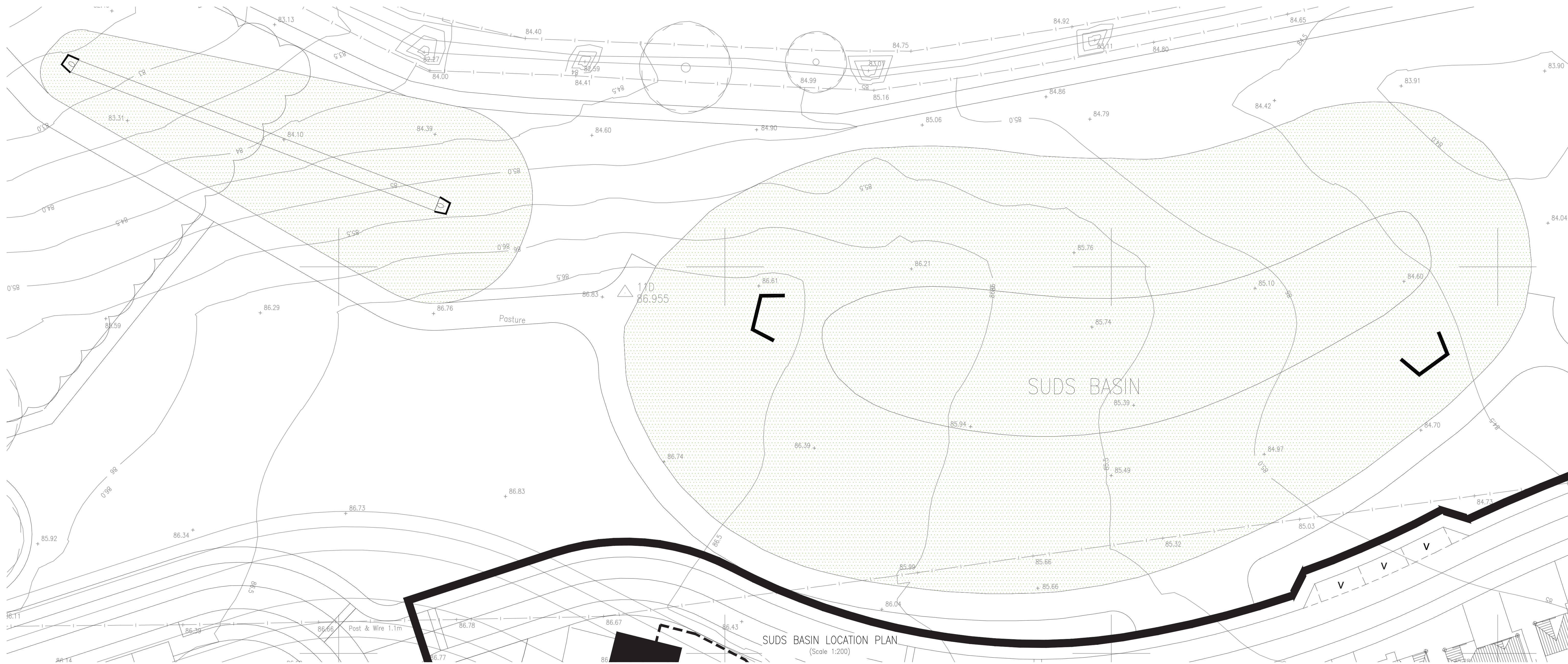
TYPICAL SECTION THROUGH OUTLET HEADWALL
(scale 1:25)



TYPICAL SECTION ELEVATION ON INLET HEADWALL
(scale 1:25)

Appendix G

Basin/Pond Details



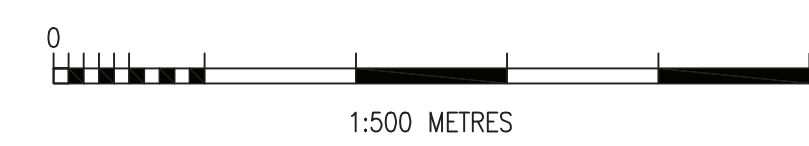
BASIN LINER SPECIFICATION
 BASIN LINER MEMBRANE TO BE LANDFLEX W200
 SCREED BY SPREADING SAND ON 10mm SANDFLEX WBC
 IMPERMEABLE LINER ON 100mm SWAMP SAND
 BEDDING UNDER FULL LINER TO BE BEST PRACTICE, OR
 SIMILAR AND APPROVED

TYPICAL SECTION THROUGH SWALE - BETWEEN HEADWALLS
(Scale 1:50)

TYPICAL SECTION THROUGH SUDS BASIN - BETWEEN HEADWALLS
(Scale 1:100)

Appendix H

Overland Flood Routing



THIS IS THE PLAN/DRAWING/SPECIFICATION REFERRED TO IN THE APPLICATION
SIGNED:
DATED:

Rev	Date	Description	Drawn	Checked	Appd.
01		ISSUED TO SUP CLIENT COMMENTS			
02		ADJUSTED BAND REVISION			

FAIRHURST
275 Broom Street
GLASGOW
G2 4JZ
Tel: 0141 204 8800
Fax: 0141 204 8801



PROJECT:
**ROBROYSTON/MILLERSTON
ROBROYSTON ROAD
GLASGOW**

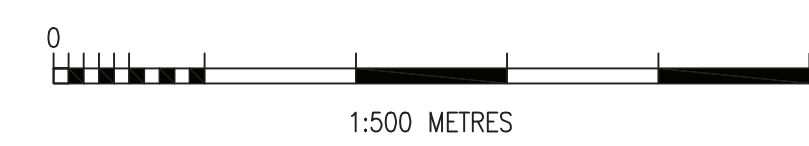
Drawing Title:
**INFRASTRUCTURE APPLICATION
FLOOD ROUTING**

Scale of A3: 1:500	Status: For Approval	Approved:
Drawn: RS	Checked:	Approved:
Date: 10/05/21	Date:	Date:
Drawing No.:	Revision:	

102497/2970 A

Appendix I

Proposed Levels Layout: Infrastructure Application



THIS IS THE PLAN/DRAWING/SPECIFICATION REFERRED TO IN THE APPLICATION
SIGNED:
DATED:

REV	DATE	DESCRIPTION	BY	CHK	APP
01		REVISED TO SUP CLIENT COMMENTS			
02		ADJUSTED BAND REVISED			

FAIRHURST
275 Broom Street
GLASGOW
G2 4JZ
Tel: 0141 204 8800
Fax: 0141 204 8801

BARRATT
ROBES
Established 1961

PROJECT:
**ROBROYSTON/MILLERSTON
ROBROYSTON ROAD
GLASGOW**

Drawing Title:
**INFRASTRUCTURE APPLICATION
PROPOSED LEVELS**

Scale of A3: 1:500	Status: For Approval
Drawn: RS	Checked: []
Date: 04/05/21	Date: []
Drawing No: 102497/1961	Revision: A

CIVIL ENGINEERING • STRUCTURAL ENGINEERING • TRANSPORTATION • ROADS & BRIDGES
PORTS & HARBOURS • GEOTECHNICAL & ENVIRONMENTAL ENGINEERING • PLANNING &
DEVELOPMENT • WATER SERVICES • CDM COORDINATOR SERVICES

www.fairhurst.co.uk

Aberdeen	Leeds
Bristol	London
Birmingham	Manchester
Dundee	Newcastle upon Tyne
Edinburgh	Sevenoaks
Elgin	Sheffield
Glasgow	Taunton
Inverness	Watford

FAIRHURST