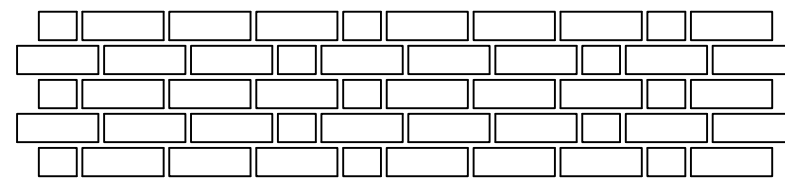
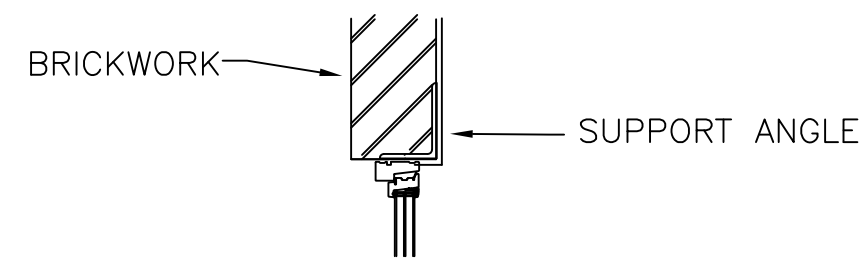
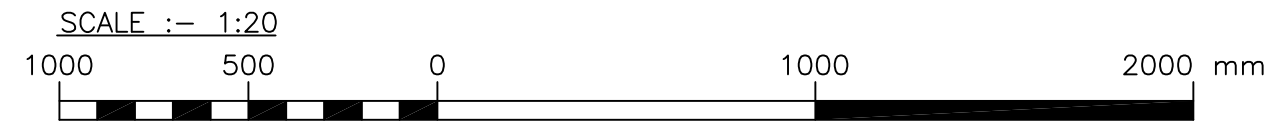


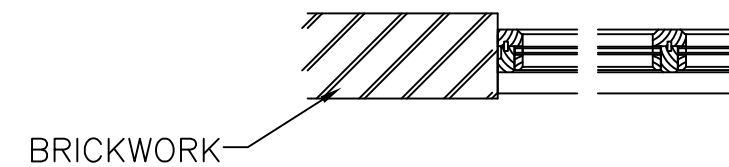
SECTION
VERGE/BARGEBOARD DETAIL
SCALE 1:20



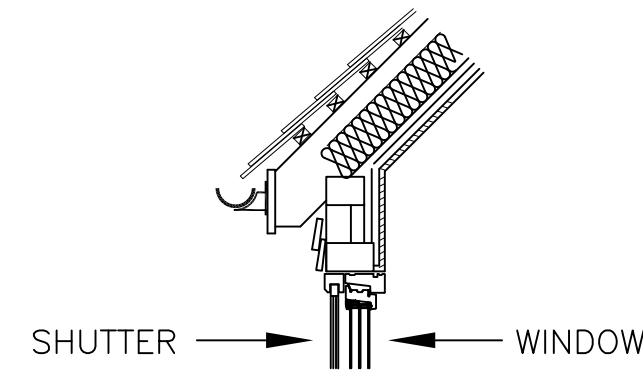
ELEVATION
FLEMISH GARDEN WALL BOND
(SUSSEX BOND)
SCALE 1:20



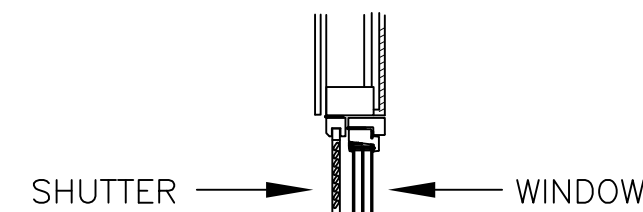
SECTION
DOOR HEAD DETAIL
SCALE 1:20



PLAN
WINDOW JAMB DETAIL
SCALE 1:20

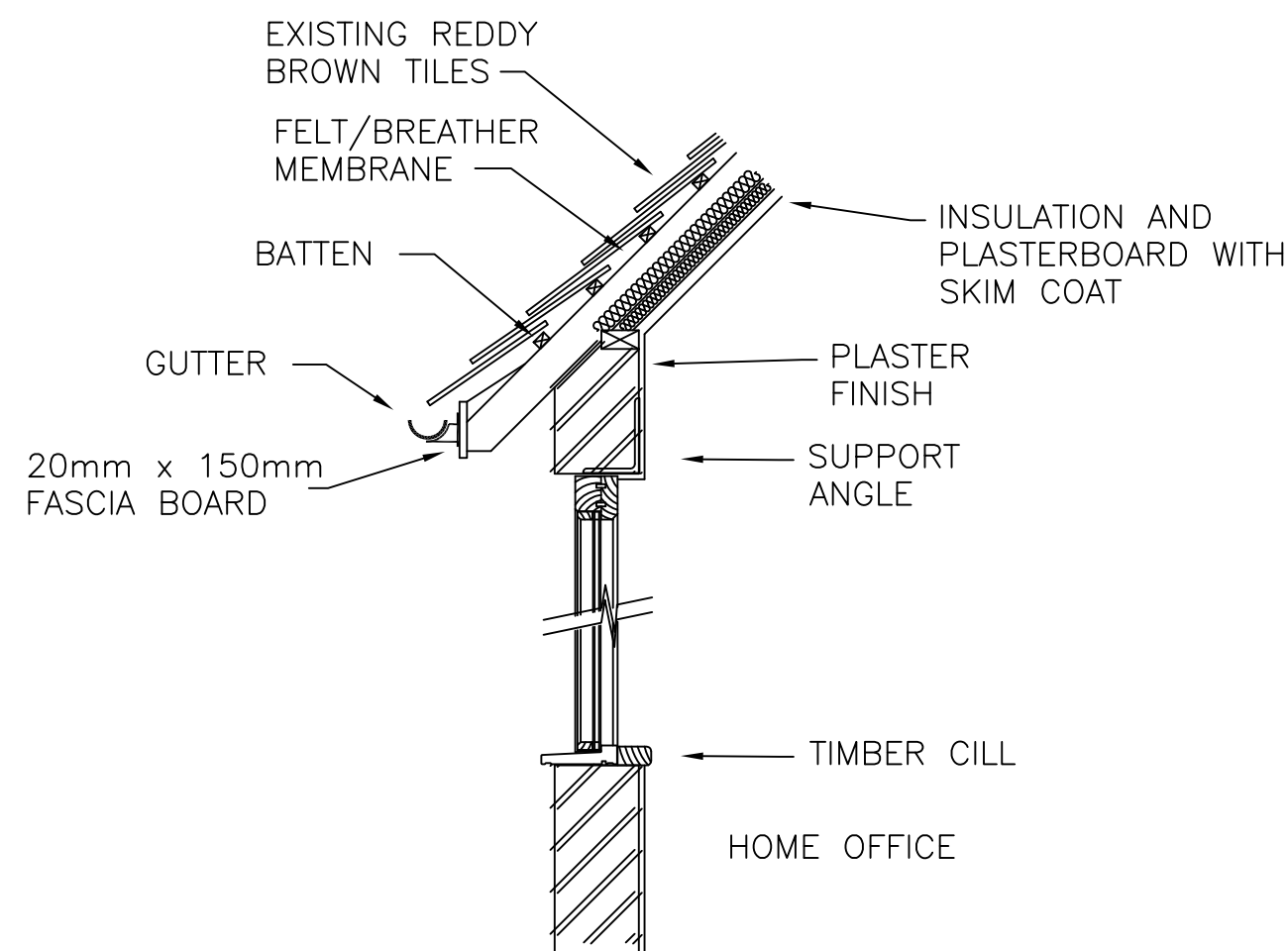


SECTION

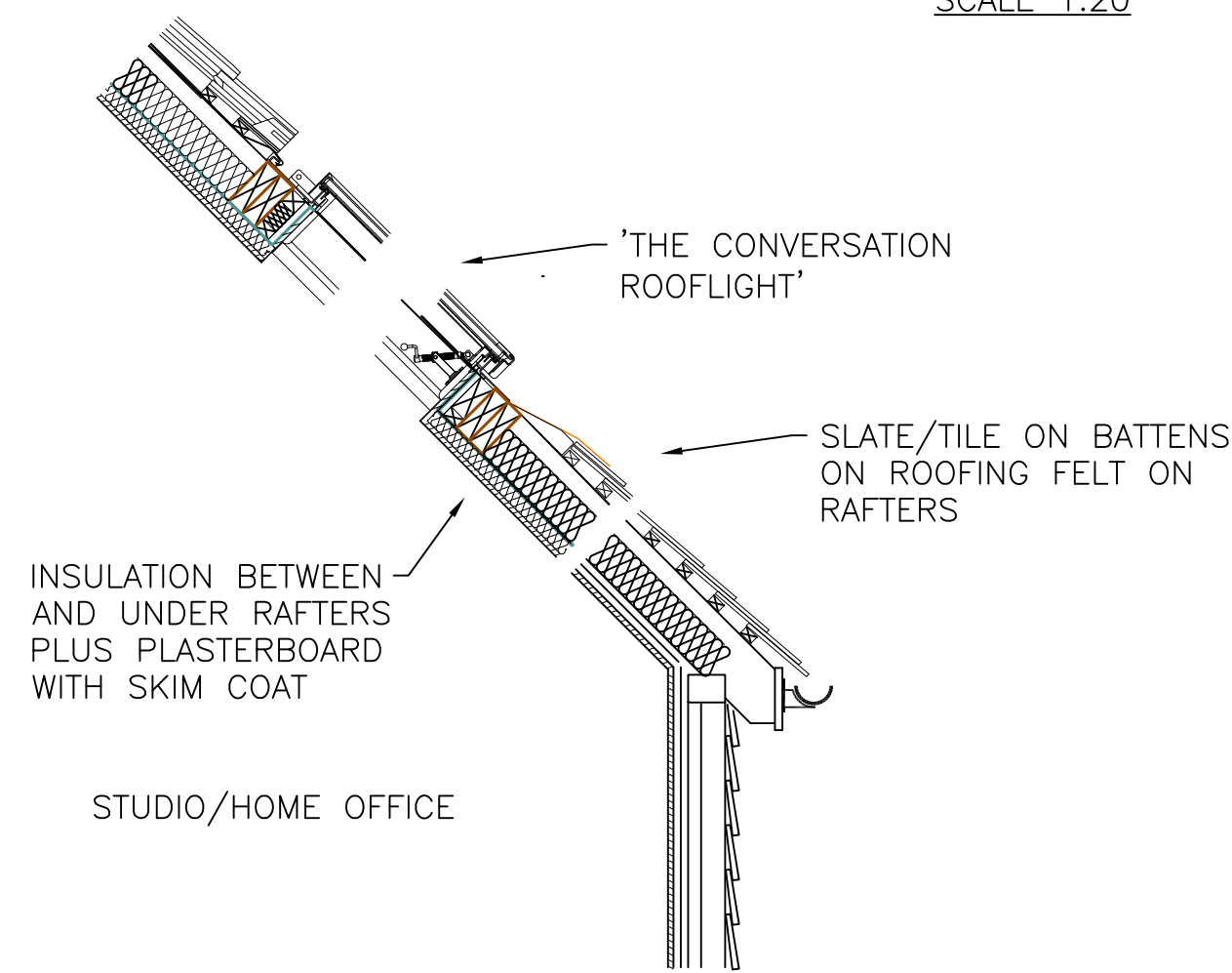


PLAN

OPENING WINDOW AND
DOOR/SHUTTER DETAILS
SCALE 1:20



SECTION
WINDOW DETAIL
SCALE 1:20



SECTION
ROOF LIGHT/EAVES DETAIL
SCALE 1:20

NOTES

1. THIS DRAWING IS COPYRIGHT AND MUST NOT BE REPRODUCED, COPIED, TRACED OR ALTERED IN ANY FORM WITHOUT THE EXPRESS PERMISSION OF FLAXTON ENGINEERING LTD. IN WRITING.
2. CONSTRUCTION NOTE:
BUILDER TO COMPLY STRICTLY WITH APPROVED DESIGN PLAN - ANY CONCERNS SHOULD BE RAISED DIRECTLY WITH FLAXTON ENGINEERING LTD. PRIOR TO WORK COMMENCING.
3. ALL DIMENSIONS TO BE CHECKED ON SITE.
4. SOAKAWAY TO BE A MIN. OF 1M3 CAPACITY AND AT LEAST 5M FROM ANY BUILDING.
5. THE BUILDER OR SUPPLIER IS TO CHECK ALL RELEVANT SITE DIMENSIONS, LEVELS AND EXISTING SERVICE RUNS PRIOR TO WORK COMMENCING.

PLANNING APPROVED
REF No 17/01008
5th DECEMBER 2017
DRAWING No 003 Rev A

B	12-05-21	MINOR REVISION TO OFFICER COMMENT
A	29-11-17	DETAILS ADDED AND AMENDED
REV.	DATE	DESCRIPTION
TITLE		
DETAILS MALWOOD WALK FARM, NEWTOWN ROAD, NEWTOWN, MINSTEAD, LYNDHURST HANTS. SO43 7GD for Dr STANDEVEN & Mr HOLDEN		
FLAXTON ENGINEERING LTD. DESIGN AND DRAFTING SERVICES HARTLANDS SILVER STREET, SWAY NR LYMINGTON HANTS, SO41 6DA TEL : 01590 683774 E-mail : steve@flaxtonengineering.co.uk		
DRAWN BY	DATE	
S.A.	NOVEMBER 2017	
SCALES		
1:20 @ A2		
DRAWING No.	REV.	
003	B	

THIS DRAWING TO BE
READ IN CONJUNCTION
WITH DRGs 001 & 002