

# VERITAS

Glazing Solutions Ltd.

Graham Kennish

Flat 4, The Birches

VGS21030

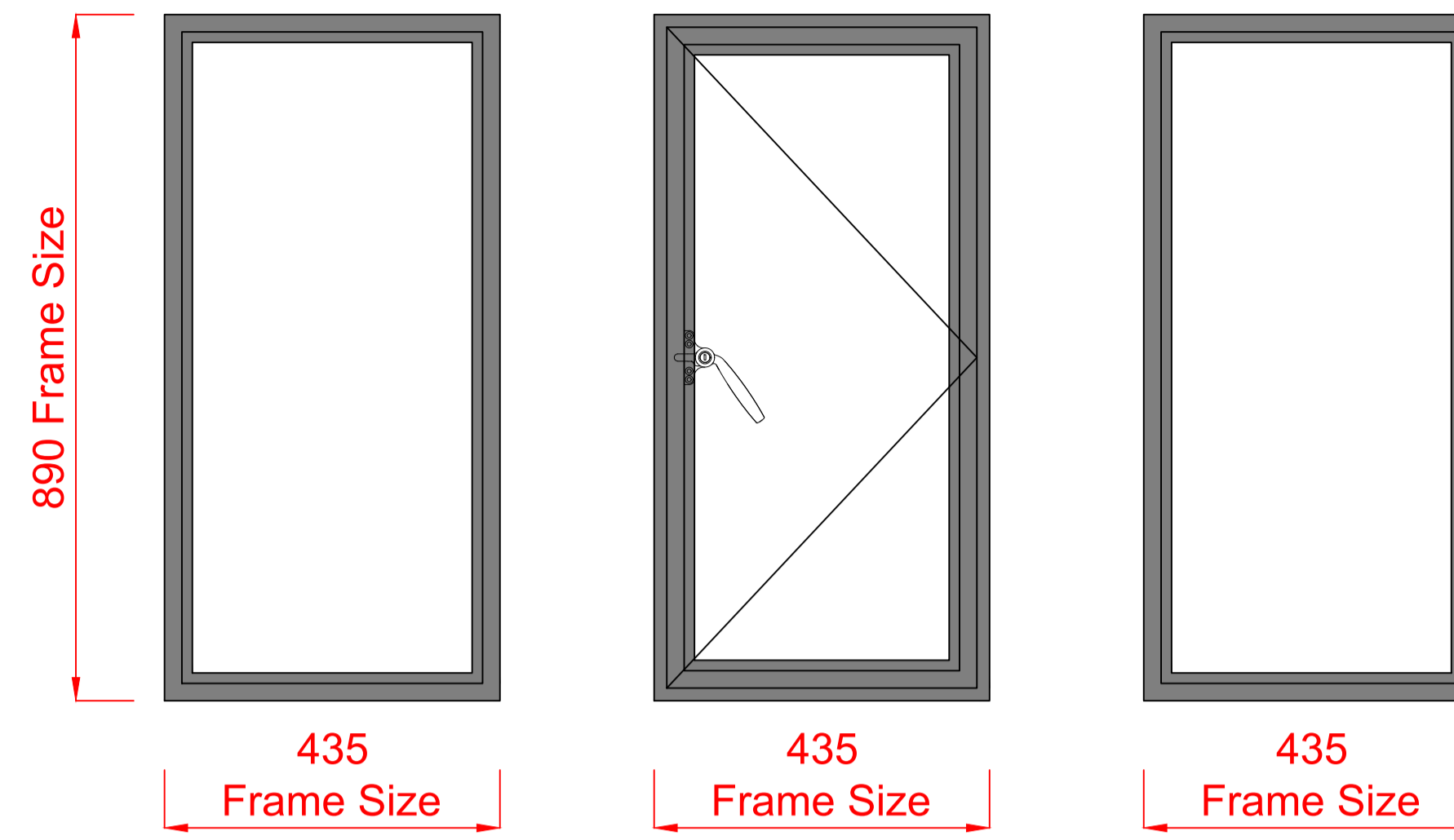
All Elevations Are Viewed From Outside



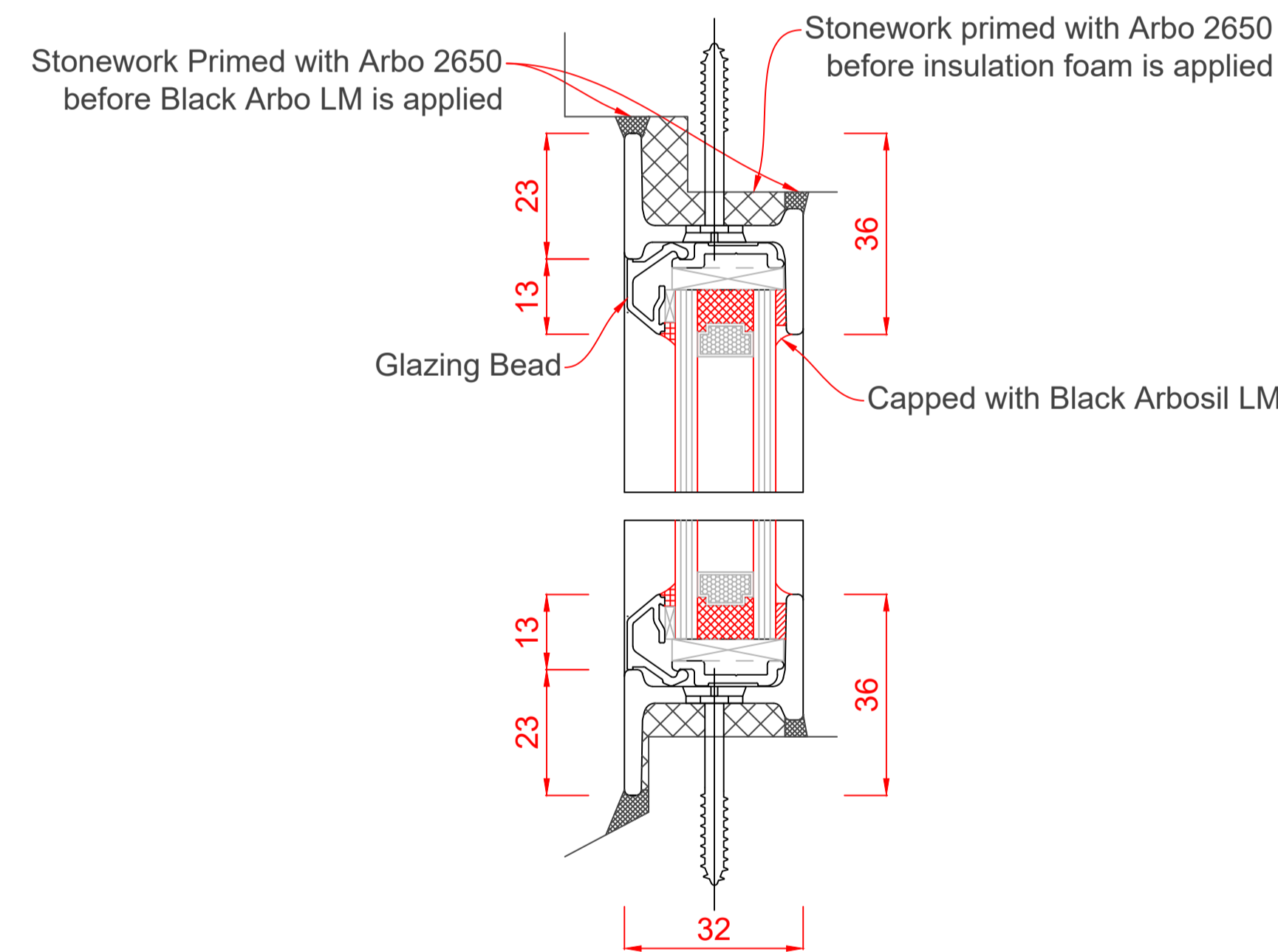
W1 - Window to be replaced



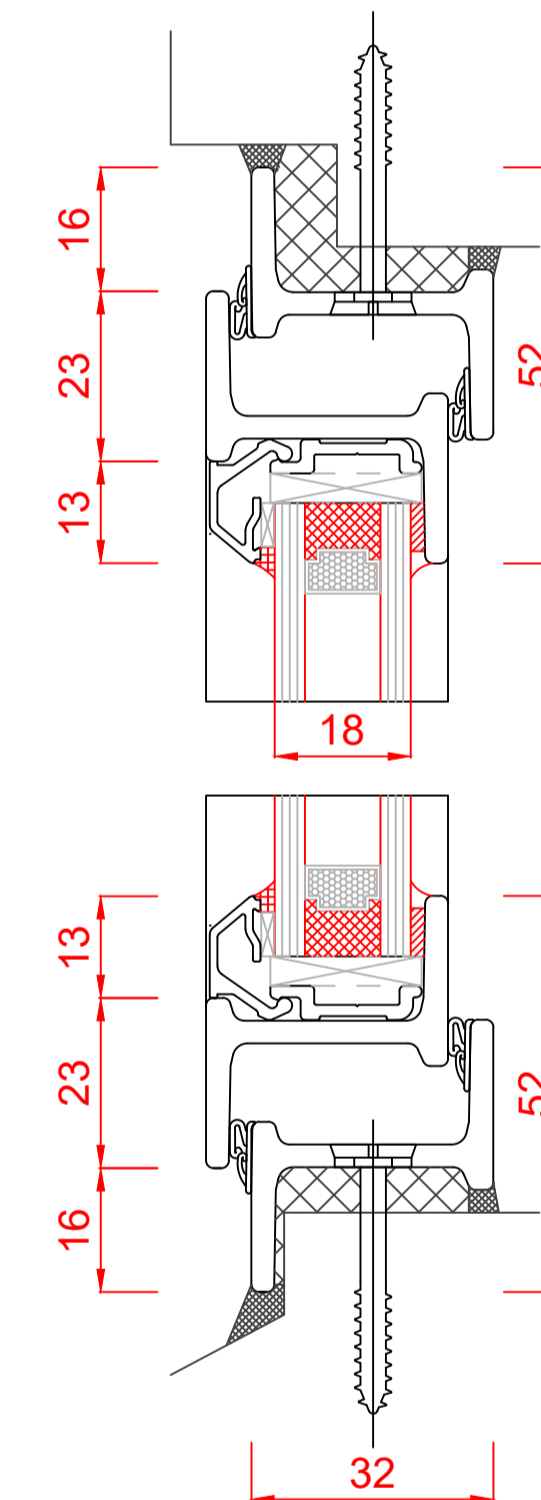
Example of original Crittall Steel Windows on the same property



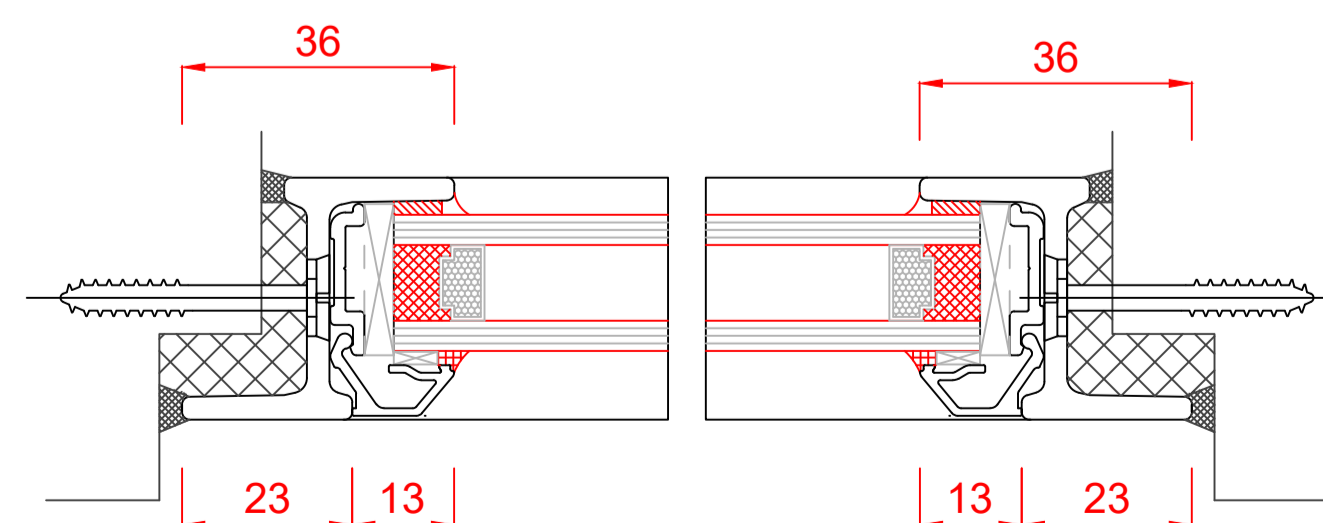
ITEM 1  
QTY1  
W1  
Proposed Crittall Homelight + Window



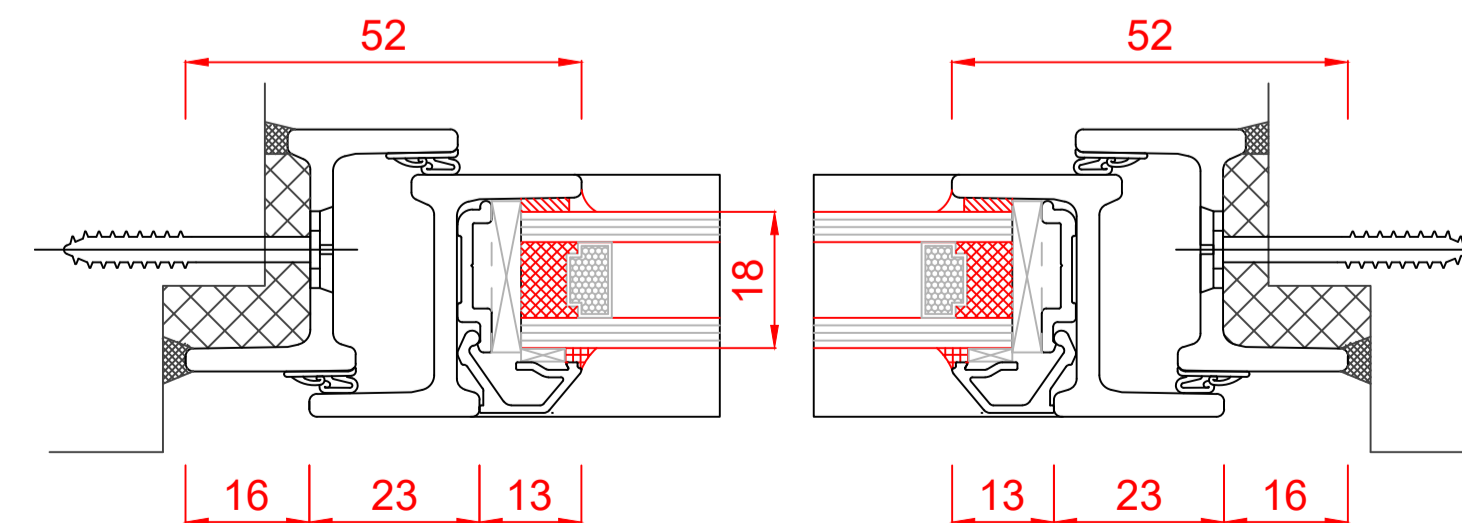
Proposed  
Crittall Homelight+ Fixed Light with 18mm  
DGU and Aluminium Bead  
19mm Kensington Astragal bars to replicate  
existing 19mm T-bars  
Frames installed into existing stone rebates



Proposed  
Crittall Homelight+ Side Hung Casement  
with 18mm DGU and Aluminium Bead  
19mm Kensington Astragal bars to replicate  
existing 19mm T-bars  
Frames installed into existing stone rebates

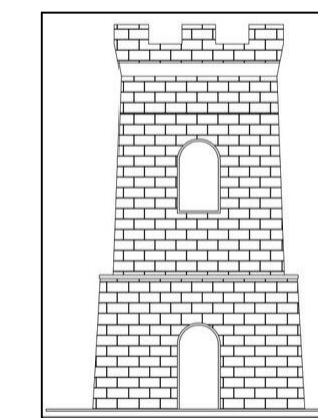


Proposed  
Crittall Homelight+ Fixed Light with 18mm  
DGU and Aluminium Bead  
Frames installed into existing stone rebates



Proposed  
Crittall Homelight+ Side Hung Casement  
with 18mm DGU and Aluminium Bead  
Frames installed into existing stone rebates

**SPECIFICATION:**  
**ELEVATIONS** - VIEWED FROM OUTSIDE  
**SECTIONS** - HOMELIGHT PLUS STEEL  
**SIZES** - TO O/ALL LONG LEG SECTION  
**GLAZING** - GLAZED OUT FOR 18mm DGU  
**HANGING** -  
 SIDE HUNG WINDOWS HUNG ON 2 PROJECTING  
 FRICTION HINGES.  
**FITTINGS** -  
**SIDE HUNG FITTINGS** -  
 1No. 158SF CURVED NON-LOCKING HANDLE, IN AN RTD  
 (DARK BRONZE) FINISH.  
**FIXED AND GLAZED BY VERITAS GLAZING SOLUTIONS.**  
**PAINT FINISH** - RAL1015 MATT - LIGHT IVORY  
**GLASS SPECIFICATION** -  
 EXTERNAL: 4mm TOUGHENED LOW IRON  
 CAVITY: 10mm KRYPTON WITH BLACK W.E.T SPACER  
 INTERNAL: 4mm TOUGHENED PLANITHERM TOTAL +  
 SILICONE COLOUR: TO BE CONFIRMED



**VERITAS**  
Glazing Solutions Ltd.

All Dimensions Are In Millimeters  
 All Dimensions To Be Checked On-Site  
 Scale@A1: 1:1 & 1:8

Client Name Graham Kennish	Project No. VGS21030
-------------------------------	-------------------------

Installation Address  
 Flat 4, The Birches  
 Birches Drive  
 Stroud  
 GL5 1RP

Drawn By Chris Harrod	Date 26/04/2021
--------------------------	--------------------

Sheet Number 1	Items 1	Revision A
-------------------	------------	---------------

Client Approval Signature