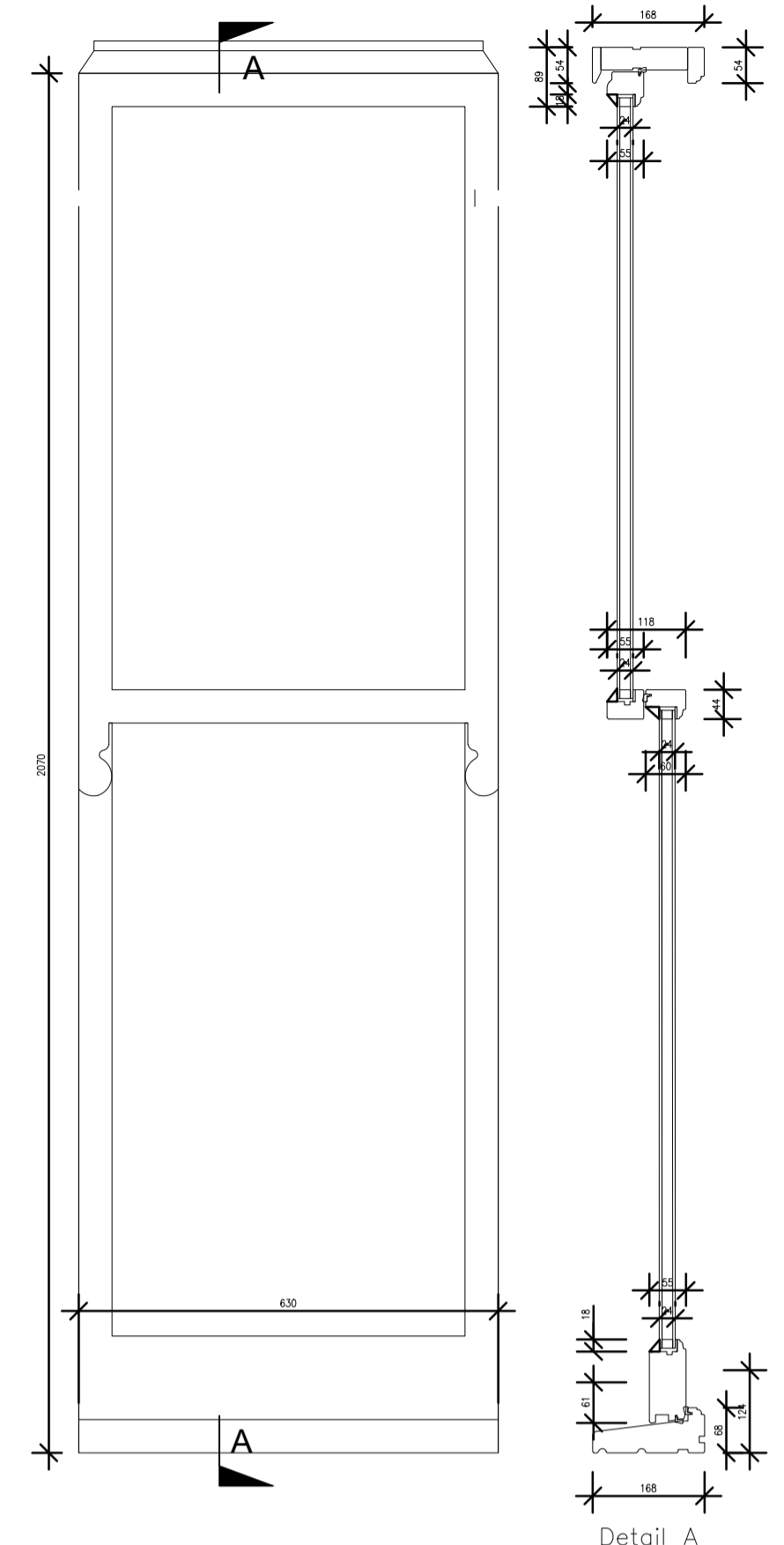
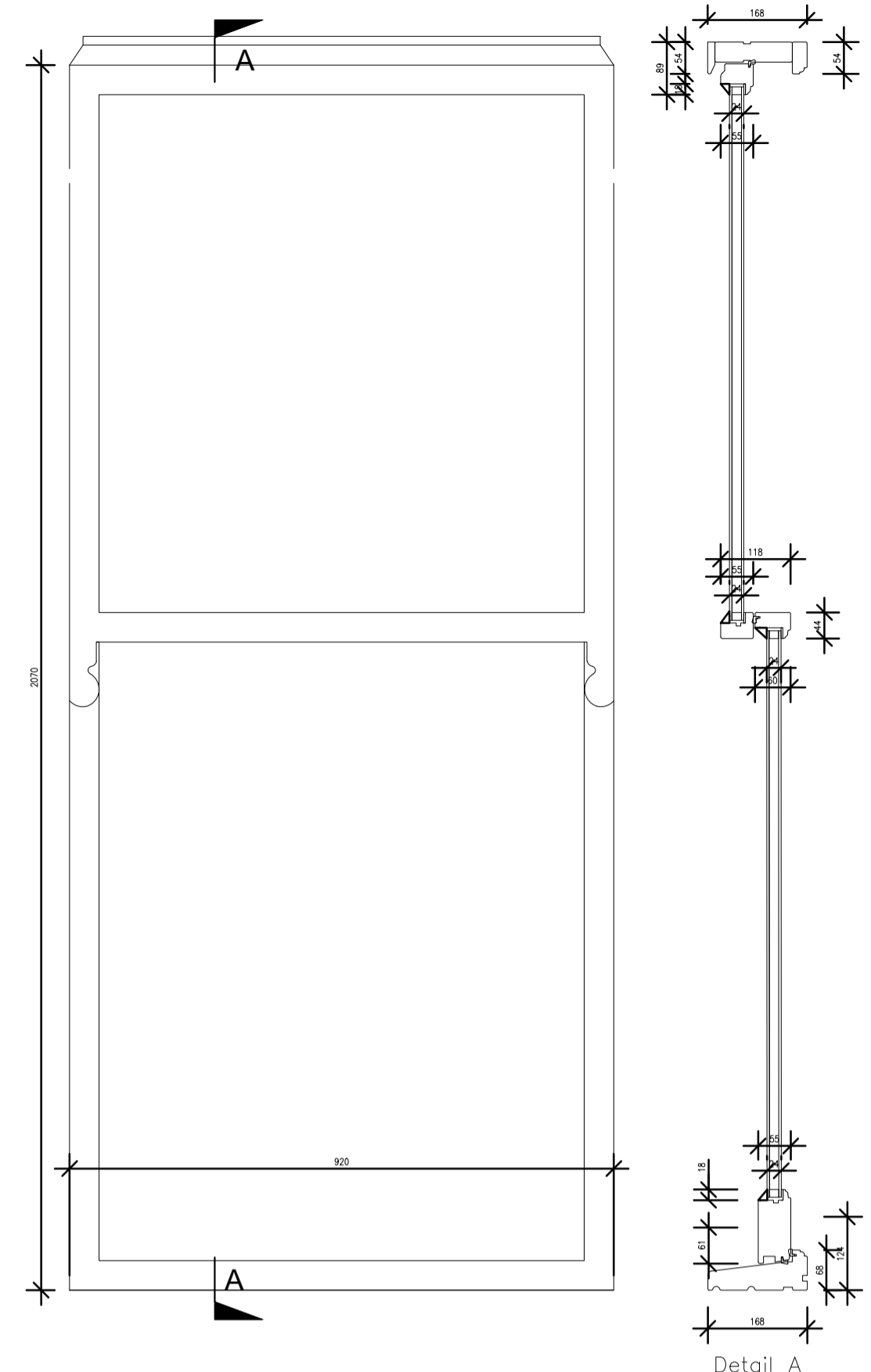


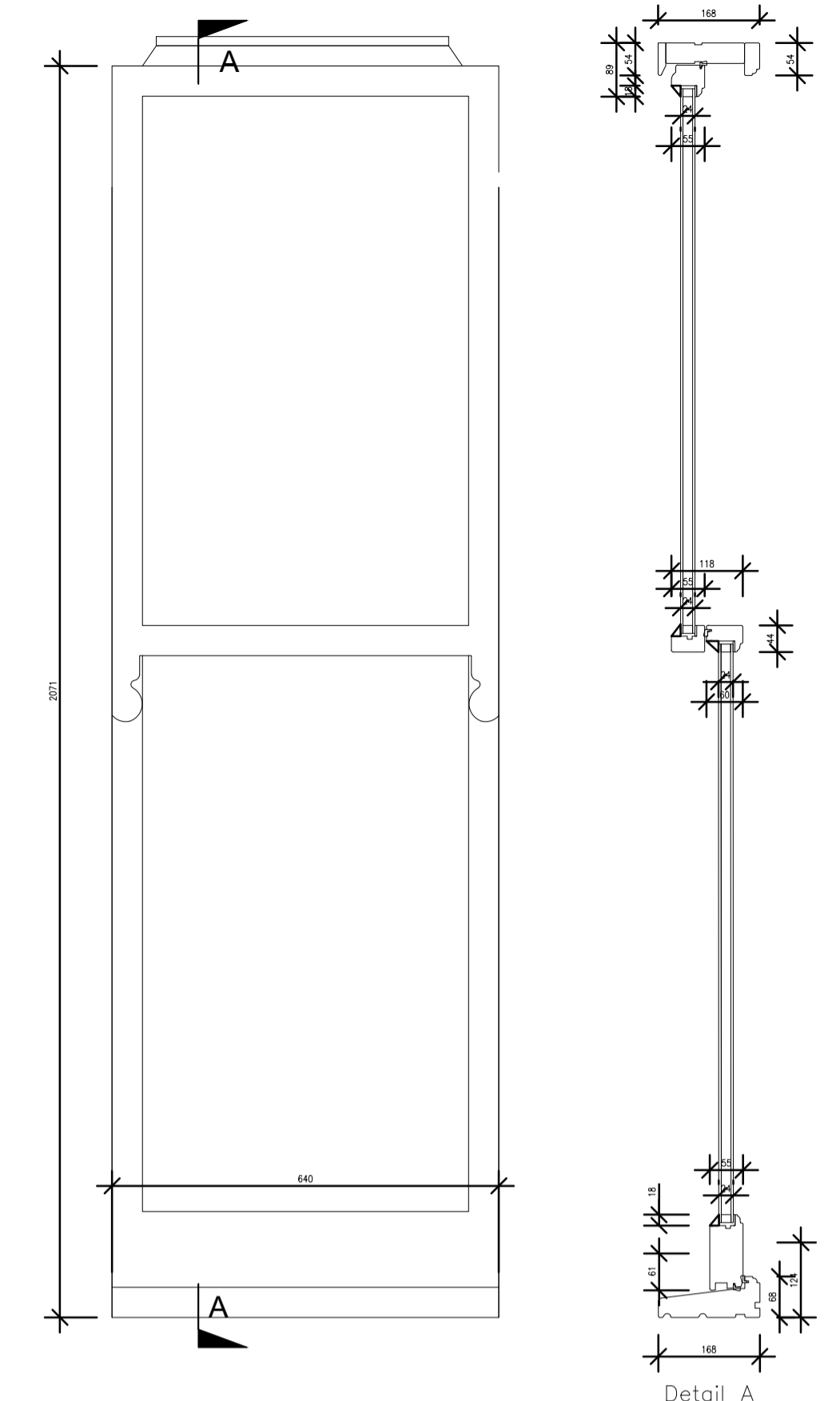
Windows W01 Section Detail
1:10



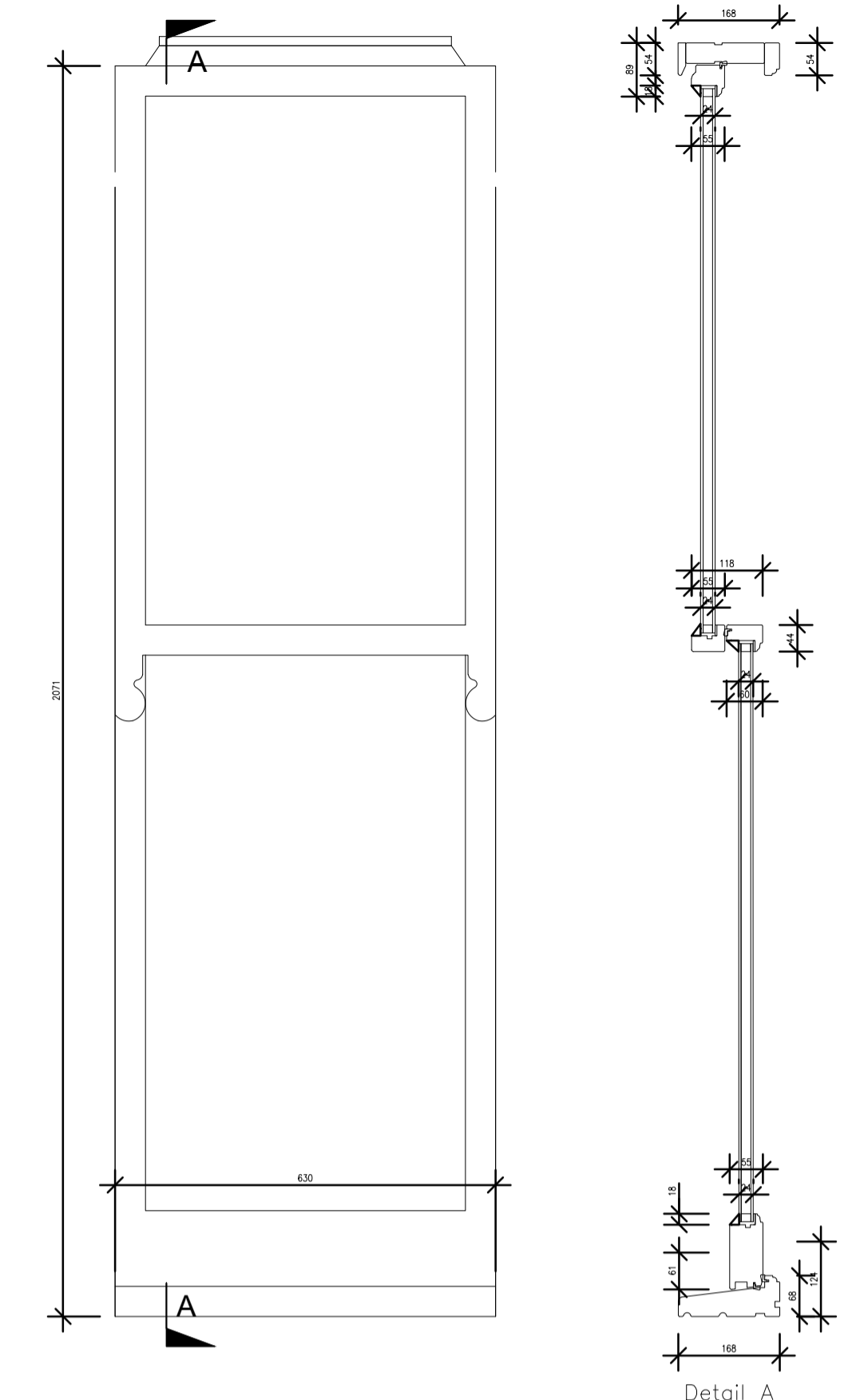
Windows W02 Section Detail
1:10



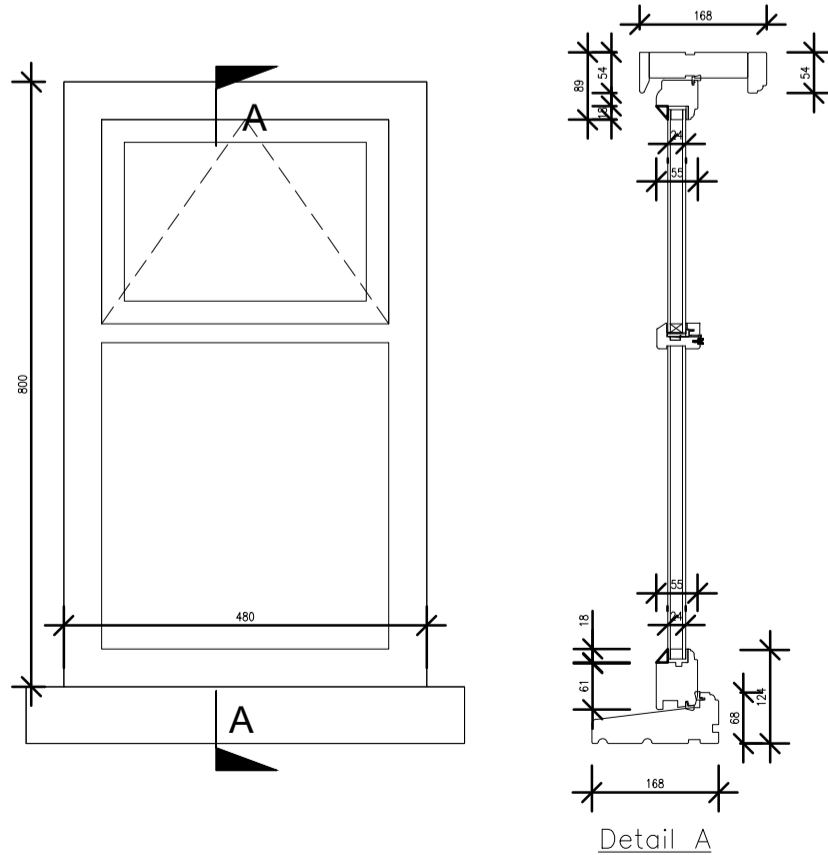
Windows W03 Section Detail
1:10



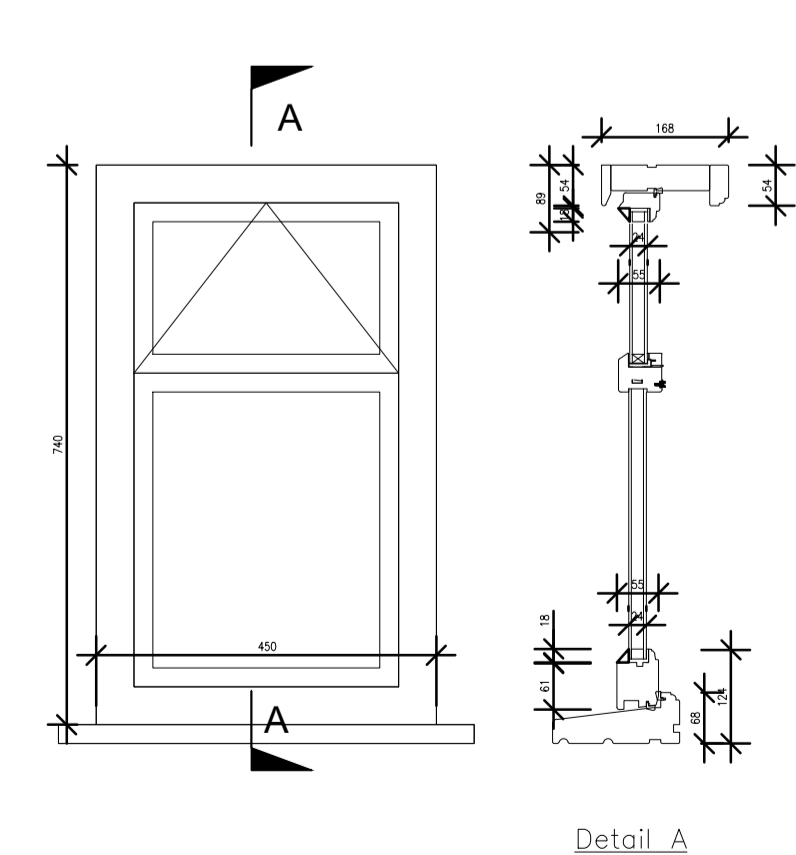
Windows W04 Section Detail
1:10



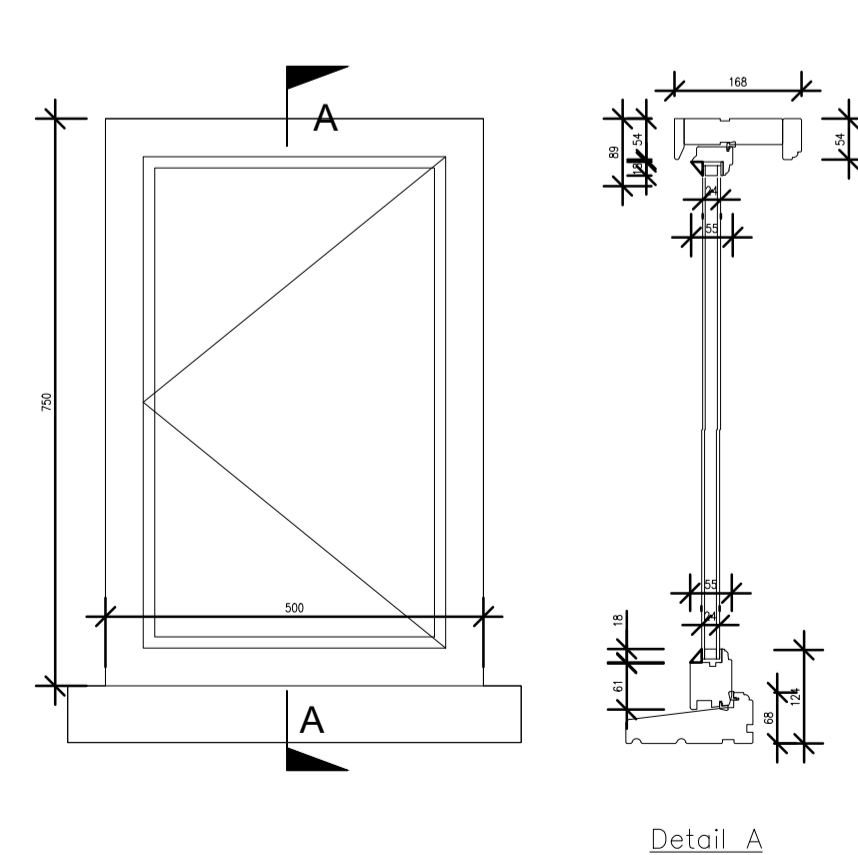
Windows W05 Section Detail
1:10



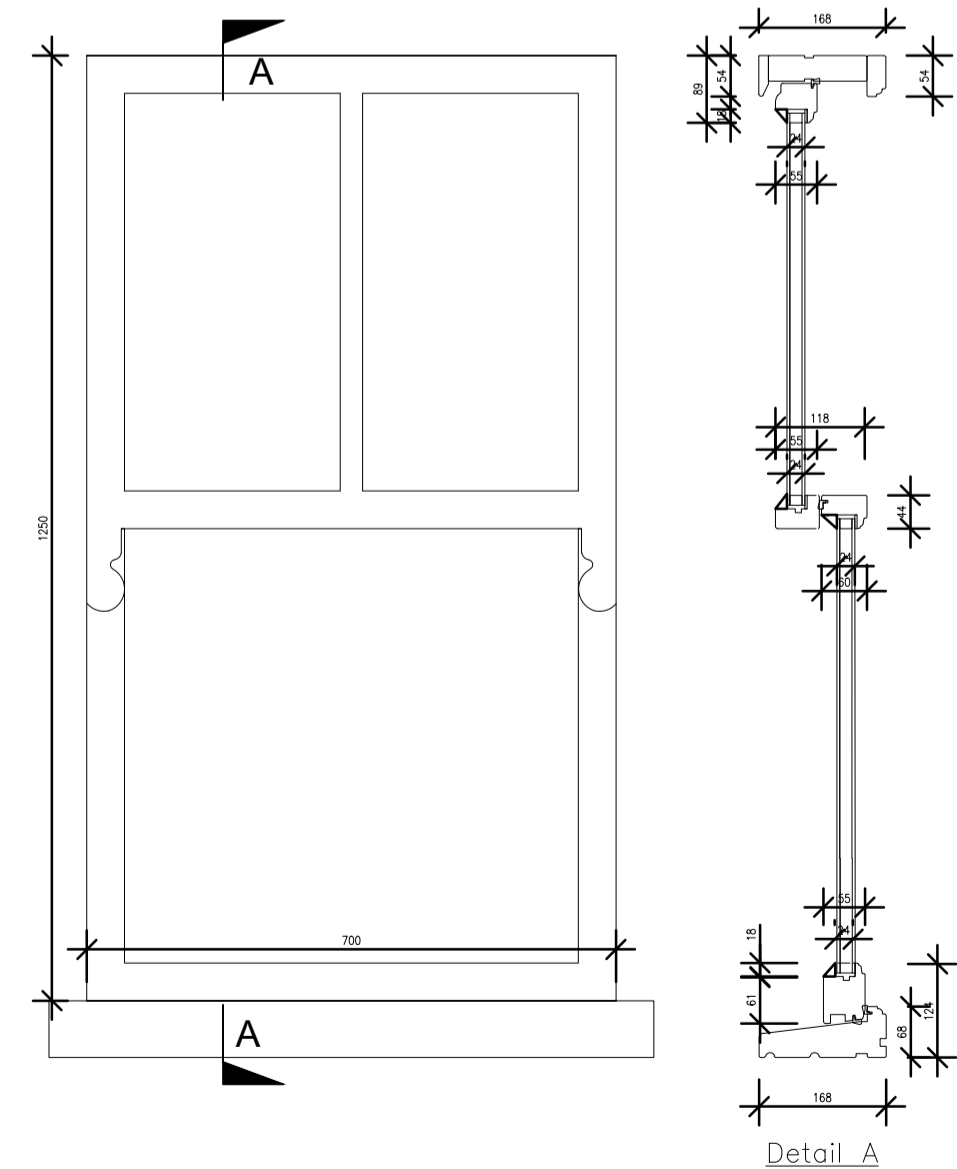
Windows W06 Section Detail
1:10



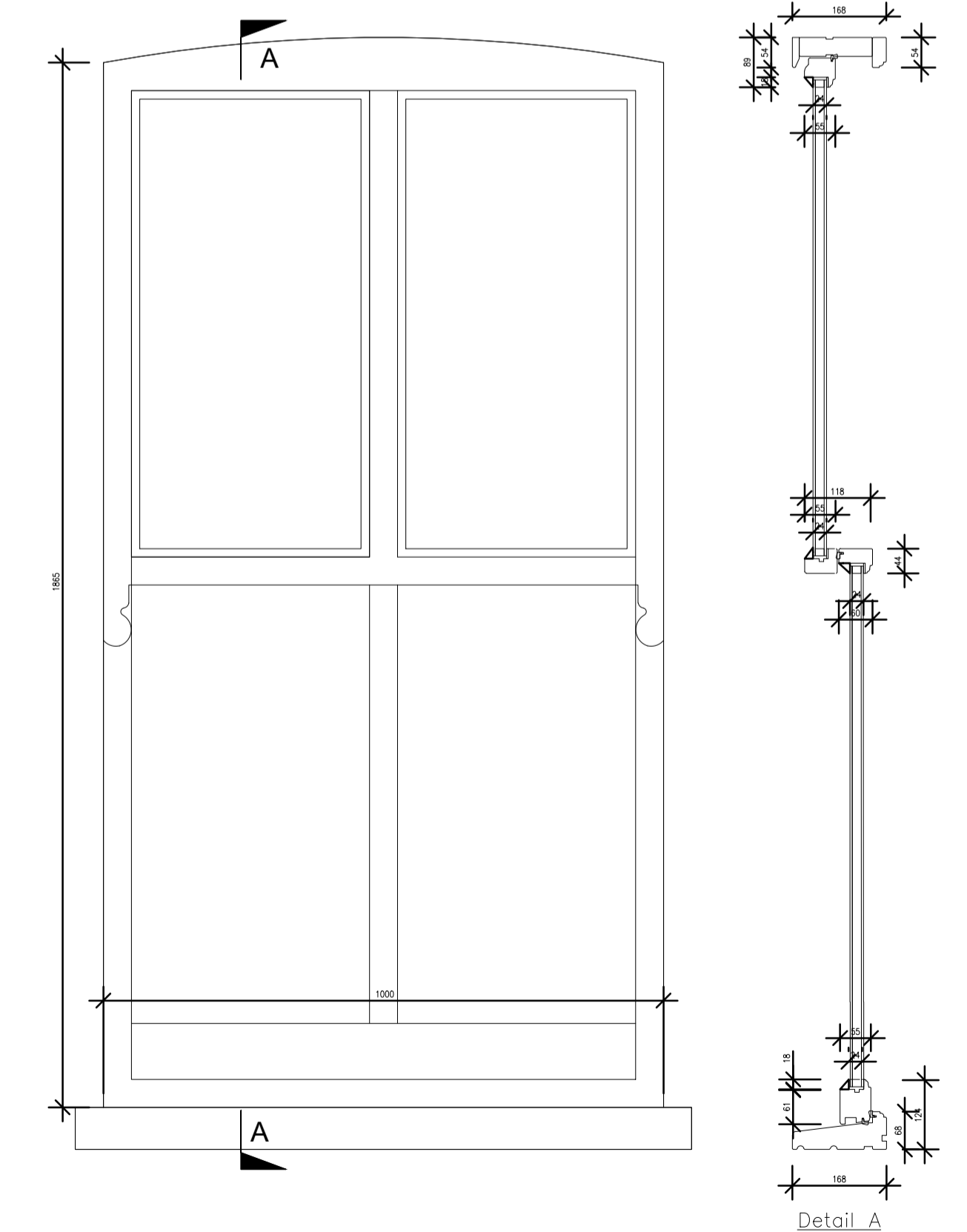
Windows W07 Section Detail
1:10



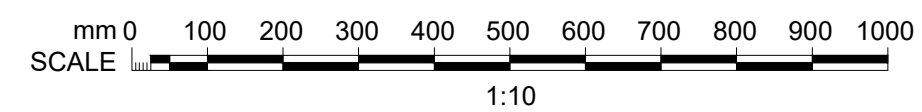
Windows W08 Section Detail
1:10



Windows W09 Section Detail
1:10



Windows W10 Section Detail
1:10



ALL DIMENSIONS, LEVELS AND CLEARANCES TO BE CHECKED ON SITE PRIOR TO WORKS COMMENCING
THIS DRAWING SHOULD BE READ IN CONJUNCTION WITH ALL OTHER PROJECT RELATED DRAWINGS, SPECIFICATIONS AND DOCUMENTS AS PART OF A SINGLE PROJECT PACKAGE
ANY DISCREPANCY BETWEEN THIS DRAWING, OTHER DRAWINGS FORMING PART OF THIS CONTRACT, OR THE SPECIFICATION / BILLS OF QUANTITIES MUST BE CLARIFIED BEFORE COMMENCEMENT OF ANY WORK OR ORDERING OF ANY MATERIALS.
PLEASE CONSULT THE AUTHOR OR PROJECT MANAGER SHOULD THE READER REQUIRE CLARIFICATION ON ANY PART OF THIS DRAWING.
THE COPYRIGHT OF THE DRAWING AND DESIGN IS THE PROPERTY OF THE COMPANY. THIS INFORMATION HAS BEEN ISSUED UNDER SPECIFIC TERMS FOR THIS PROJECT AND MAY ONLY BE USED AND REPRODUCED ACCORDINGLY.

NOTES

Table with 5 columns: Rev, Date, By, Chk, Apr, Comment. It contains a revision record for P01 dated 10.05.21, with columns for MF, NA, BG, and Planning Issue.

Table with 5 columns: Rev, Date, By, Chk, Apr, Comment. It contains a revision record for P01 dated 10.05.21, with columns for MF, NA, BG, and Planning Issue.

FRANKHAM logo and contact information for Frankham Consultancy Group Limited, including Sidcup, London, and Stevenage offices.

Client:
The Ad Group

Project Title:
81 Holmewood Gardens, Brixton Hill, London SW2 3NB

Drawing Title:
Proposed Window Replacement Details

Status:
PLANNING ISSUE

Drawn By: MF, Designed By: MF, Checked By: BG, Approved By: JM

Original Issue Date: 10/05/2021, Scale @ A1: 1:10

Table with 5 columns: Job No/ File Ref, Originator, Zone, MB, Level. Row 1: 227910, FCG, MB, DE. Row 2: Type, Discipline, Number, Suitability, Revision. Row 3: DR, B, 2401, S4, P01.