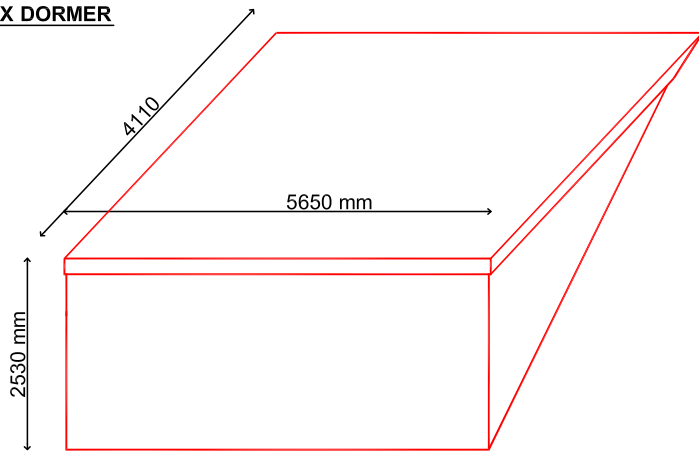


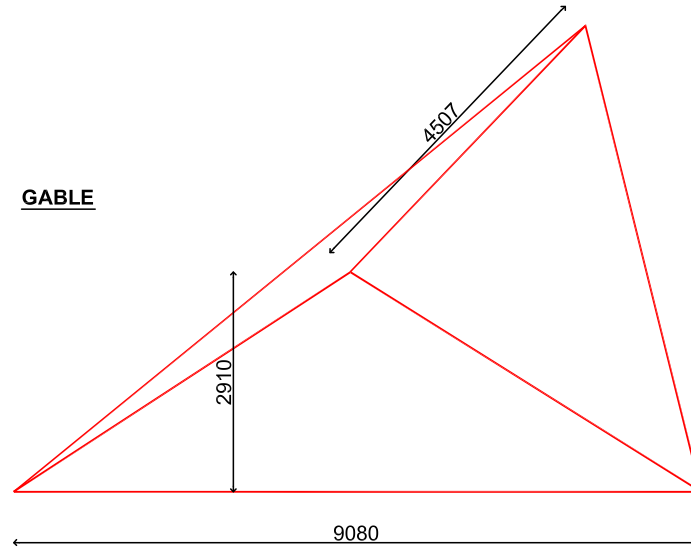
Cubic volume of additional roof elements as shown on these drawings does not exceed 50 cubic metres in volume as demonstrated in these calculations;

BOX DORMER



$$\frac{5.650 \times 4.11 \times 2.530}{2} = \boxed{29.38 \text{ m}^3 \text{ Total Volume}}$$

GABLE



$$\frac{2.910 \times 9.100}{2} = \boxed{13.21 \text{ m}^2} \text{ triangle area}$$

$$13.21 \times 4.507 = \boxed{59.537 \text{ m}^3} \text{ prizm volume}$$

$$\frac{4.507 \times 9.08 \times 2.910}{3} = \boxed{39.70 \text{ m}^3} \text{ pyramid volume}$$

$$59.96 - 39.70 = \boxed{20.26 \text{ m}^3} \text{ volume of gable increase}$$

$$29.38 + 20.26 = \boxed{49.63 \text{ m}^3}$$

total volume increase

General Notes

~~Do not scale from drawing, use figured dimensions only.~~ Subject to site survey and all necessary consents. All dimensions to be checked by user and any discrepancies, errors or omissions to be reported to the Architect before work commences. This drawing is to be read in conjunction with other relevant materials.

James Matley
Architect



37 Granville Street
Bristol
BS5 9SW
07813 854188
jamesmatley.co.uk

Architects Registration Board
James Matley Architect is a trading name of Matley Design Ltd

PLANNING

JOB
10, Brownlow Road,
Weston-super-mare,
BS23 4L3.

TITLE
Volume Calculation

SCALE
1:100 @ A4

DRAWING NUMBER	DATE	REV
6174-PL-09	04/21	A