

## Appendix D - General Tree Protection Considerations

Any tree retained within the design will require protection in accordance with BS 5837, regardless of its initial retention category. This protection will require tree to be fenced off in areas equal to the RPAs plotted on the attached Tree Constraints Plan, located in **Appendix A**.

A protective fence will be erected prior to the commencement of any site works e.g. before any materials are brought on site. The fence will have signs attached to it stating:

### 'CONSTRUCTION EXCLUSION ZONE – NO ACCESS'

The protected fence may only be removed following completion of all construction works.

The fence is required to be sited in accordance with the Tree Constraints Plan enclosed with this method statement as **Appendix A**. They must ideally be constructed as per figure 2 in BS 5837 and be fit for the purpose of excluding any construction activity (see diagram below). Any other fence/barrier used must be fit for the purpose (as decided by the project arborist).

Once erected all protective fencing will be regarded as sacrosanct, and will not be removed or altered without prior recommendation by the project arborist and approval by the local planning authority.

The diagram below demonstrates the required fence specifications of BS 5837 figure 2.

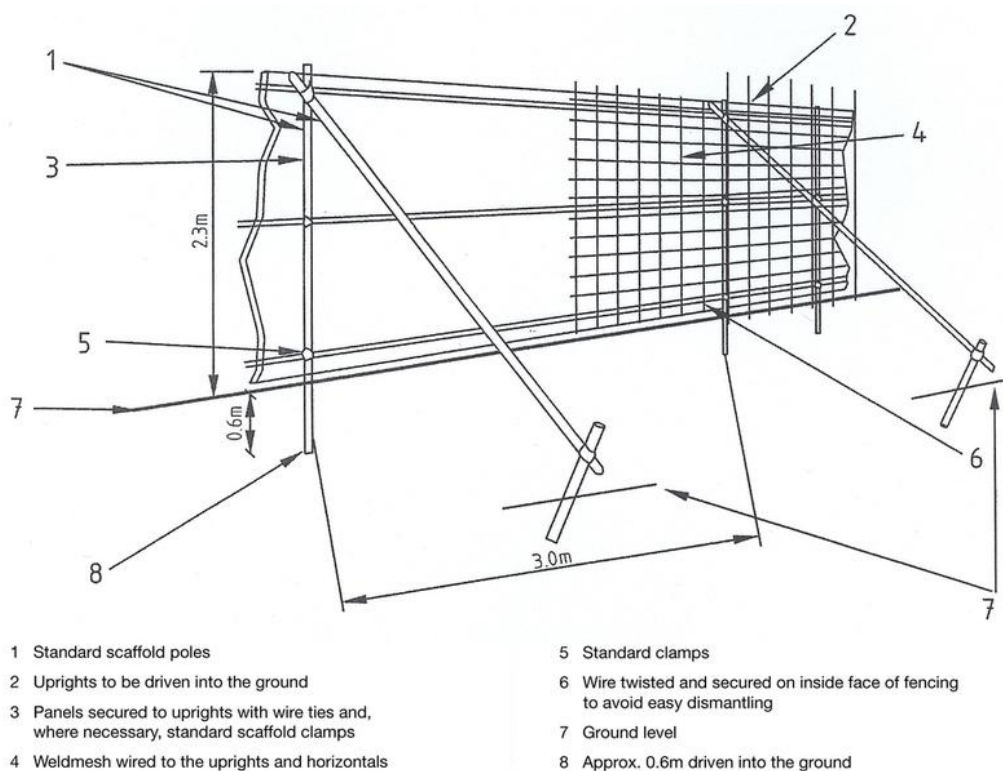


Figure 2. – Protective fencing for RPA

## Appendix D - General Tree Protection Considerations (Cont.)

Should scaffolding be required to be erected within the RPA of any retained trees (so that building works may be carried out outside the extent of the RPA), this should be carried out to the following specifications:

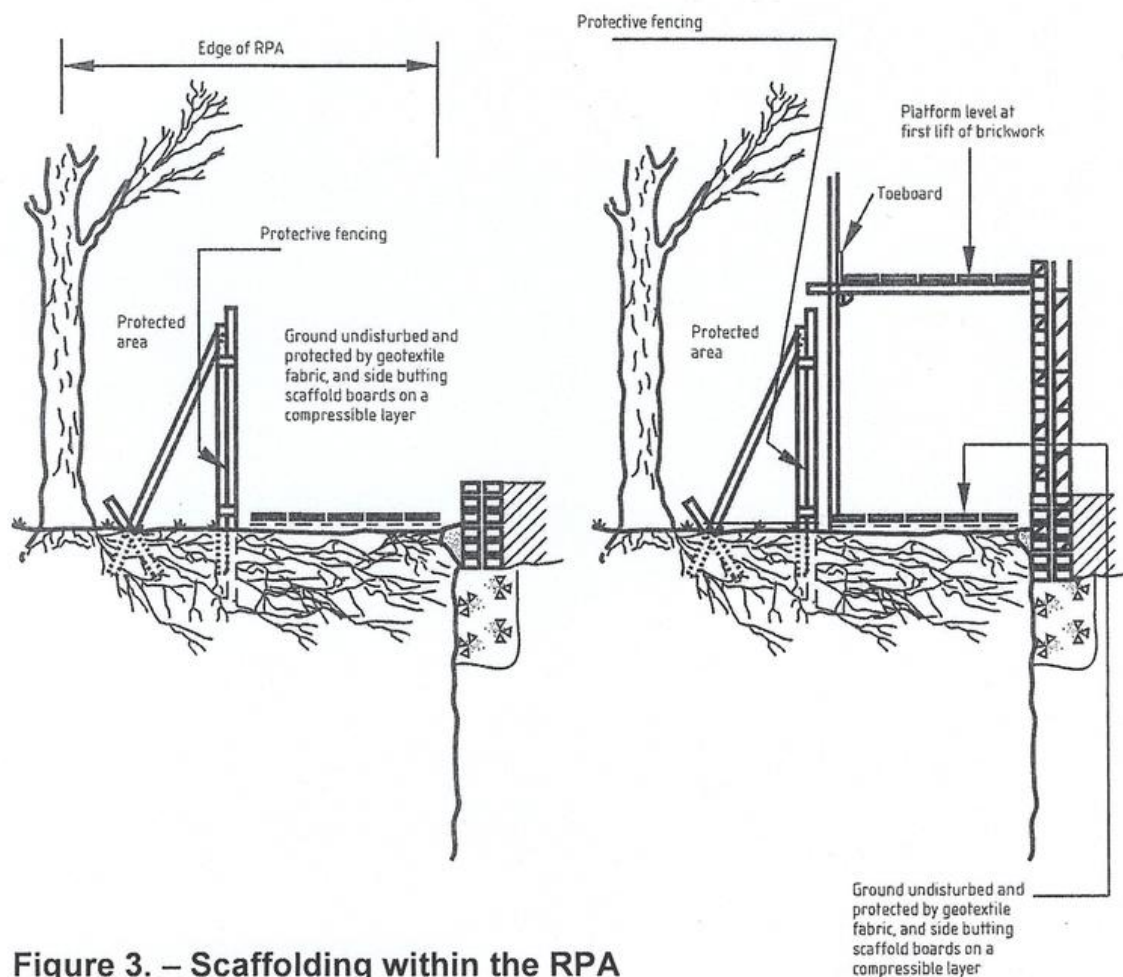


Figure 3. – Scaffolding within the RPA

CONSTRUCTION EXCLUSION ZONE

**KEEP OUT**

RESTRICTED ACCESS  
NO VEHICLES  
NO STORAGE OF MATERIALS

REPORT ANY TREE DAMAGE TO  
TREESTYLE CONSULTANCY  
ON

07872 064 313