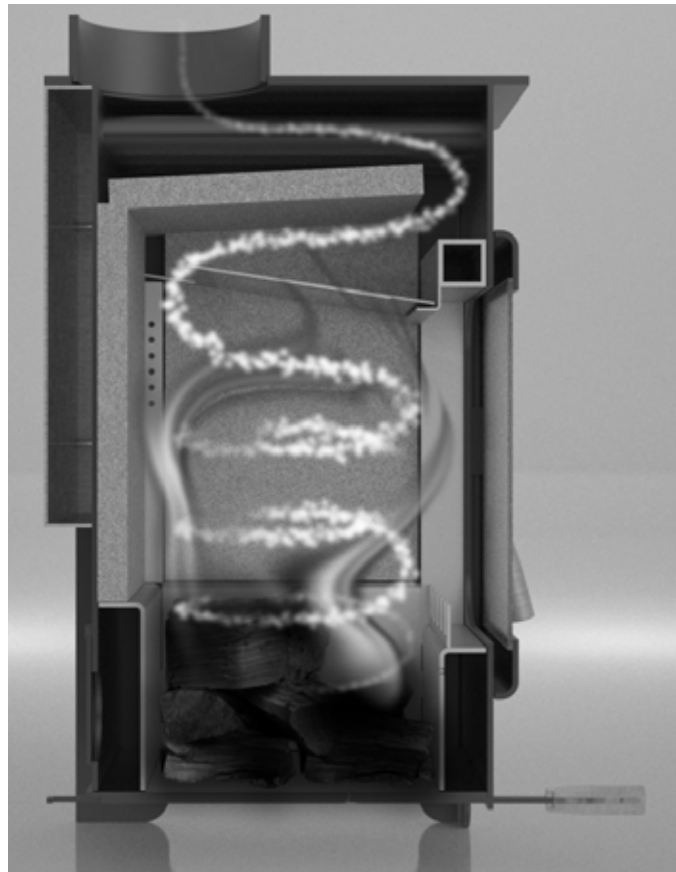


Installation Instructions & User Manual

burley

Fireball & Firecube
with catalytic converters



Cross Section – Artist Impression


Applicable Appliances

Debdale 9104-C, Hollywell 9105-C, Brampton 9108-C,
Launde 9304-C, Bradgate 9305-C, Carlby 9307-C, Swithland 9308-C.

Document reference BUR/01/20 Revision date: January 2020

**THESE INSTRUCTIONS MUST BE LEFT WITH THE USER
FOR FUTURE REFERENCE**

Table of Contents

| | |
|--|----|
| Approvals | 4 |
| TECHNICAL DATA | 5 |
| Stove Dimensions (mm) | 6 |
| Room Sealing Options | 6 |
| Installation Instructions..... | 7 |
| The Clean Air Act 1993 and Smoke Control Areas | 7 |
| Chimneys, Flues, Hearths and Surrounds..... | 8 |
| Air Supply and Room Sealing Kit (<i>Optional</i>) | 9 |
| Stove Assembly | 10 |
| Door Handle Adjustment..... | 10 |
| Door Handle Assembly..... | 11 |
| Air Lever Assembly | 12 |
| Optional Convection Tube Cover Plate..... | 13 |
| Assembly and Installation of the Stove Fire Bricks and Baffle..... | 14 |
| Fitting of Stove Bricks..... | 14 |
| Log Retaining Bar | 14 |
| Catalytic converters..... | 15 |
| USER INSTRUCTIONS | 15 |
| To Light the Stove..... | 15 |
| Efficient running and over-firing | 15 |
| Recommended fuels & using the Moisture Meter | 16 |
|  Stove Thermometers - DO NOT USE WITH OUR STOVES | 16 |
| Troubleshooting/Poor Appliance Operation..... | 17 |
| Reasons for Premature Wear of Internal Parts..... | 17 |
| Care of Glass..... | 18 |
| Chimney Sweeping and Maintenance | 18 |
| Safety | 19 |
| Spare Parts | 19 |
| Warranty | 20 |
| If you need further help..... | 20 |
| Customer & Installation Notes..... | 20 |

**PLEASE CAREFULLY CHECK YOUR STOVE FOR DAMAGE
OR DEFECTS PRIOR TO FITTING.**

**WE CAN NOT EXCHANGE DAMAGED OR FAULTY
STOVES ONCE THEY HAVE BEEN FITTED.**

Thank You

Thank you for purchasing a Burley Fireball Wood Burning Stove; we hope you will be delighted with the super-efficient performance.



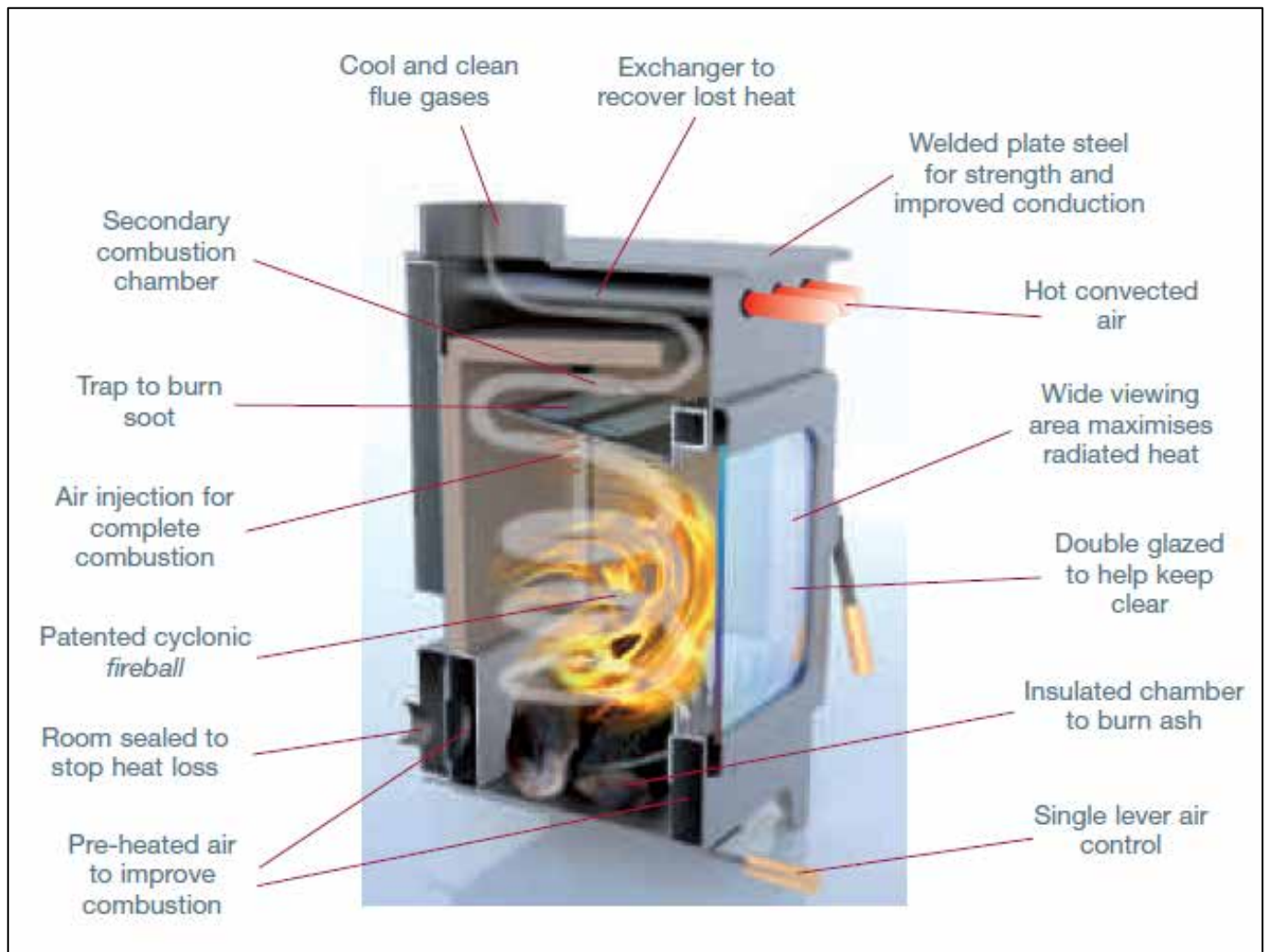
Included with your stove is the Burley 'Thank You Kit'*, which typically contains:-

- A Spanner to attach and adjust the tension of the air control lever
- A Coaster to protect the top of your stove
- A Moisture Meter to ensure your wood is dry.
- Glass Cleaner
- Stove Paint in case you prefer black handles or ever need to touch up any paint work
- A Heat Resistant Glove
- Scoop for removing ash
- An Allen Key should you wish to adjust the door handle
- A Mug to enjoy a cup of tea whilst admiring the fantastic flame picture

The contents of the kits vary from model to model, so not all the items listed or shown above may be included with your stove.

*Thank You Kit introduced with stoves supplied from October 2013

Features...



Cross Section – Artist Impression

You now own the world's most efficient stove!

Approvals

All the stoves in these instructions are approved to EN13240:2001 and EN13240 A2:2004.

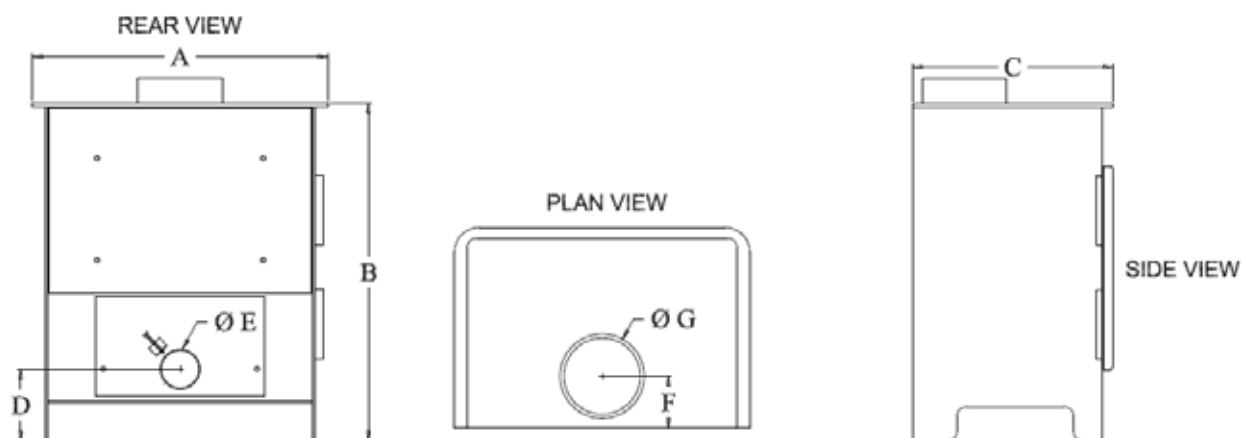
They are Ecodesign approved for use after 2022 and also satisfy the more stringent 2022 approved EcoExcel (models Debdale and Launde) and EcoElite (models Hollywell, Brampton, Bradgate, Carlby and Swithland).

TECHNICAL DATA

| All built to EN13240 | 9104-C | 9105-C | 9108-C | 9307-C |
|--|---|---|---|---|
| | 9304-C | 9305-C | 9308-C | |
| Efficiency (Net) | 84.9% | 90.4% | 88.6% | 84.3% |
| CO concentration @ 13% Oxygen | 0.1% | 0.06% | 0.04% | 0.08% |
| Requirement of fuels used in Smoke Control Areas | Dry logs <20% H ₂ O | Dry logs <20% H ₂ O | Dry logs <20% H ₂ O | Dry logs <20% H ₂ O |
| | Maximum length 200 - 250mm long | Maximum length 250 - 300mm long | Maximum length 250 - 350mm long | Maximum length 250 - 300mm long |
| | Maximum width 150mm | Maximum width 150mm | Maximum width 150mm | Maximum width 150mm |
| Lower quality fuel can be used in non-smoke controlled areas, but will not give the best efficiencies | Dry Logs < 20% H ₂ O | Dry Logs < 20% H ₂ O | Dry Logs < 20% H ₂ O | Dry Logs < 20% H ₂ O |
| | 250mm long 1.3Kg per hour | 310mm long 1.6Kg per hour | 430mm long 2.8Kg per hour | 310mm long 2.4Kg per hour |
| Weight in kg | 57 kg | 95 kg | 105 kg | 105 kg |
| Nominal kW output | 4 kW | 5 kW | 8 kW | 7 kW |
| Max kW output | 4.1 kW | 5.3 kW | 11.7 kW | 11.7 kW |
| Air vent requirement. | Not Required | 550mm sq min in houses built after 2008, otherwise not required | 1,962mm sq min 50mm diameter | 1,962mm sq min 50mm diameter |
| | | Air vent not required if stove is room sealed | Air vent not required if stove is room sealed | Air vent not required if stove is room sealed |
| Minimum flue draught mm H ₂ O | 0.5mm | 0.5mm | 0.5mm | 0.5mm |
| Flue gas temperature | 182 °C | 142 °C | 237 °C | 241 °C |
| Spigot Temp. | 258 °C | 253 °C | 241 °C | 274 °C |
| Flue size (Top Exit) | 127mm (5") | 150mm (6") | 150mm (6") | 150mm (6") |
| Min. chimney diameter | 127mm (5") | 150mm (6") | 150mm (6") | 150mm (6") |
| Best chimney diameter | 127mm (5") | 150mm (6") | 150mm (6") | 150mm (6") |
| Minimum distance to combustible materials. All other distance as per Building regulations Part J or HETAS recommendations | 20cm behind (8") 40cm at side (16") 40cm to Top | 20cm behind (8") 40cm at side (16") 40cm to Top | 20cm behind (8") 40cm at side (16") 40cm to Top | 20cm behind (8") 40cm at side (16") 40cm to Top |
| Non combustibles | When fitted inside a masonry or similar non-flammable material recess, e.g., fireplace opening, there is no minimum distance; although we would advise a minimum of 50mm from any surface to allow for convection. | | | |
| Max Hearth temp. | <100 °C | <100 °C | <100 °C | <100 °C |
| Min Hearth thickness | 12mm | 12mm | 12mm | 12mm |

Stove Dimensions (mm)

| Model | A | B | C | D | E | F | G |
|--------|-----|-----|-----|-----|----|------|----------|
| 9104-C | 422 | 560 | 340 | 140 | 80 | 97.5 | 127 (5") |
| 9105-C | 470 | 680 | 405 | 140 | 80 | 105 | 152 (6") |
| 9108-C | 595 | 680 | 405 | 140 | 80 | 105 | 152 (6") |
| 9304-C | 398 | 560 | 340 | 140 | 80 | 97.5 | 127 (5") |
| 9305-C | 440 | 680 | 391 | 140 | 80 | 105 | 152 (6") |
| 9307-C | 440 | 860 | 391 | 140 | 80 | 105 | 152 (6") |
| 9308-C | 568 | 680 | 400 | 140 | 80 | 105 | 152 (6") |



Room Sealing Options

BURLEY WOOD BURNING STOVES ROOM SEALING OPTIONS

STANDARD REAR ROOM SEALING KIT
THE KIT COMES WITH PARTS

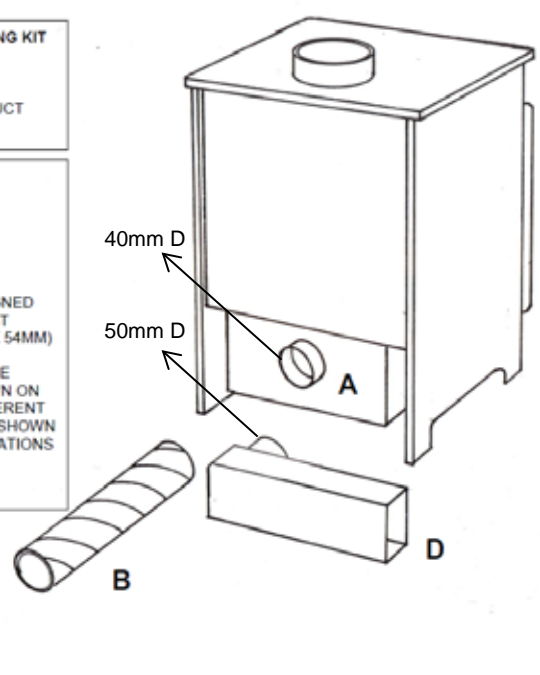
- A PLENUM BOX ASSEMBLY
- B 1000MM X 80MM STEEL DUCT
- C 80MM VENT COVER

ANGLED ROOM SEALING BOX

- A PLENUM BOX ASSEMBLY
- D ADAPTOR BOX

THE ADAPTOR BOX (D) IS DESIGNED TO FIT THE FLAT CHANNEL DUCT SYSTEM 100 (SECTION 110MM X 54MM)

YOU WILL NEED TO SOURCE THE APPROPRIATE PARTS AS SHOWN ON THE RIGHT. EXAMPLES OF DIFFERENT ANGLED ARRANGEMENTS ARE SHOWN ON THE NEXT PAGE IN ILLUSTRATIONS 1, 2 & 3.



| | | | |
|-------------------------|--|----------------------------------|--|
| 100MM VENT COVER | | 1000MM FLAT CHANNEL | |
| CONNECTOR CHANNEL | | 100MM ROUND TO RECTANGLE ADAPTOR | |
| VERTICAL 90 DEGREE BEND | | ELBOW BEND WITH 100MM SPIGOT | |
| 1000MM ROUND DUCT | | | |

Installation Instructions

When installing these appliances, all local regulations, including those referring to national and European Standards need to be complied with.

This manual covers the appliances: Burley Models: 9104-C, 9105-C, 9108-C, 9304-C, 9305-C, 9307-C, 9308-C.

The nominal space heating output is:

9104-C & 9304-C: 4Kw, 9105-C & 9305-C: 5Kw, 9108-C & 9308-C: 8Kw 9307-C : 7kW

Any of the above appliances should be installed by an installer registered with a competency scheme (i.e. HETAS/ELECSA England & Wales), conforming to Building Regulations Part J and the installation must be registered with the local council building control department.



Failure to comply with the above renders all guarantees and liabilities of the manufacturer null and void.

By carefully following the instructions below we are certain that you will enjoy many years of warmth and enjoyment from your new Burley Fireball and Firecube Stove.

The manufacturer will not guarantee or accept liability for any problem that arises unless a local authority building control certificate has been completed and a valid receipt or proof of purchase is presented from the approved supplier.

The appliances should not be fitted closer to combustible materials, e.g. wooden fire surround or stud wall, than is shown in the table on page 5.

When fitted against a wall made of combustible material e.g. a wooden stud wall with plasterboard, unless a 75mm thick non-combustible material is used as a barrier, extra non-combustible material should be fitted behind the stove if the distance from the wall is less than shown. When fitted inside a masonry or similar non-flammable material recess, e.g., fireplace opening, there is no minimum distance; although we would advise a minimum of 50mm from any surface to allow for convection.

The Clean Air Act 1993 and Smoke Control Areas

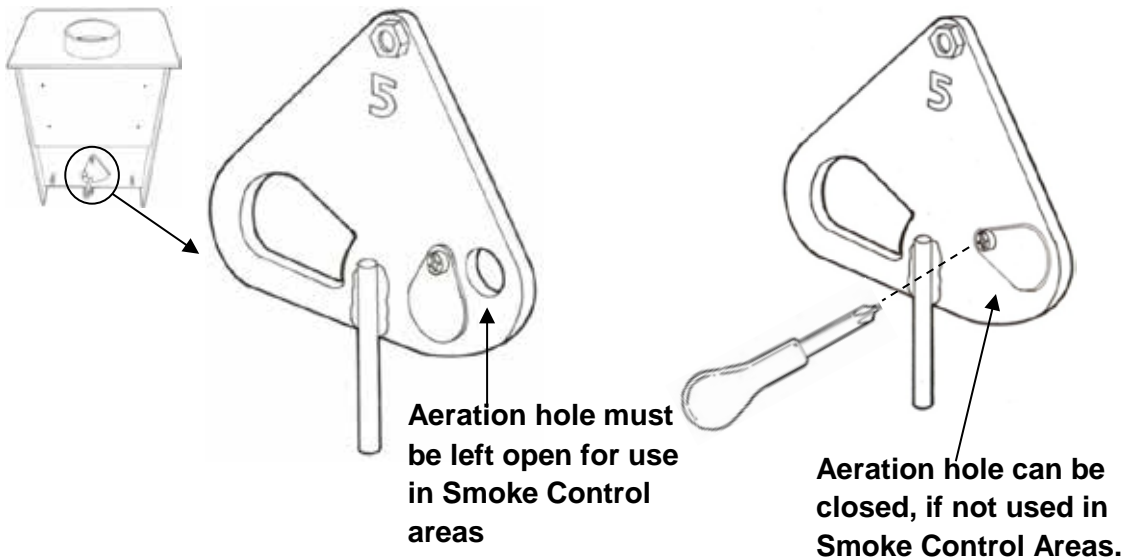
Under the Clean Air Act local authorities may declare the whole or part of the district of the authority to be a smoke control area. It is an offence to emit smoke from a chimney of a building, from a furnace or from any fixed boiler if located in a designated smoke control area. It is also an offence to acquire an "unauthorised fuel" for use within a smoke control area unless it is used in an "exempt" appliance ("exempted" from the controls which generally apply in the smoke control area).

The Secretary of State for Environment, Food and Rural Affairs has powers under the Act to authorise smokeless fuels or exempt appliances for use in smoke control areas in England. In Scotland and Wales this power rests with Ministers in the devolved administrations for those countries. Separate legislation, the Clean Air (Northern Ireland) Order 1981, applies in Northern Ireland. Therefore it is a requirement that fuels burnt or obtained for use in smoke control areas have been "authorised" in Regulations and that appliances used to burn solid fuel in those areas (other than "authorised" fuels) have been exempted by an Order made and signed by the Secretary of State or Minister in the devolved administrations.

Further information on the requirements of the Clean Air Act can be found here:

<https://www.gov.uk/smoke-control-area-rules>

Your local authority is responsible for implementing the Clean Air Act 1993 including designation and supervision of smoke control areas and you can contact them for details of Clean Air Act requirements



Chimneys, Flues, Hearths and Surrounds

Chimneys

The **9104-C** and **9304-C** require a minimum chimney flue of 5" (125mm), **9105-C**, **9108-C**, **9305-C**, **9307-C** and **9308-C** models require a minimum chimney flue of 6" diameter (150mm). All chimneys/flues must be a minimum length of 4 metres and must comply with Building Regulations J. Never share the flue with another appliance.

If flue and chimney are not to these specifications there could be insufficient draw to pull oxygen through the appliance to make it burn properly. Due to the low temperature of the exiting flue gases we recommend that the flue is lined to the diameter specified in the table on page 5.

Larger flues over 200mm particularly ones containing voids may affect appliance performance. We specify particular size flues for efficient operation of our stoves.

If you live in a valley or are surrounded by tall trees or buildings you might experience downdraught problems where the wind tries to stop the fumes rising up the chimney. An anti-downdraught cowl might help, but anti-downdraught cowls reduce the draw.

We recommend you seek the advice of a HETAS (0845 634 5626) or NACE (01526 322 555) registered supplier and installer before purchasing any stove or heating appliance. It may be wise to contact your local chimney sweep before the stove is installed.

Flue Pipe

We recommend stainless steel pipe sprayed matt black. Please ensure the fluepipe meets all relevant CE specifications EN1856/2. Only use stovepipe components that comply with national building regulations in force at the time of installation.

Hearths

The stove must stand on a non-combustible surface. Installation standards dictate that hearths must be at least 12mm thick, but installers must take into account the weight of the stove on such thin material.

The hearth should extend a minimum of 225mm in front of the stove. When a stove is freestanding the hearth should always extend a minimum of 150mm either side of the stove.

Strength and heat resistance of the hearth.

Stoves are very heavy and most materials used for hearths crack very easily. It is impossible for Burley to inspect each hearth or comment on every installation, so the onus is on the installer to ensure the construction of the hearth is suitable for the application. Slate hearths can be particularly fragile. If in any doubt we recommend sliding a piece of vermiculite or calcium silicate insulation beneath the stove to protect it from the heat.

As guidance however:

- Do not use boxed and lipped hearths.
- Avoid marble, conglomerate or micro marble hearths.
- Rather than using one large piece of material, use sectional hearths or slabs which will move independently and allow for expansion due to heat. Should a slab section crack it is then easier and cheaper to replace.
- Bed hearths down on a level base, not directly on a hard surface which could be uneven.
- If necessary stand the stove on a steel or stone bed to ensure the weight is distributed.
- Do not subject the hearth to sudden impacts by dropping the stove. The stove is heavy and it is strongly recommended that lifting is undertaken by two or more people who have been on approved lifting courses.

Surrounds

 **Must be capable of withstanding the temperature produced by the stove and comply with the minimum distances to combustibles.**

Air Supply and Room Sealing Kit *(Optional)*

All hydrocarbon burning appliances require an oxygen/air supply.

If the stove is to be fitted on an external wall the air supply can be taken straight from the outside by using the optional room sealing kit. A 100mm diameter hole needs to be drilled in the correct place (see dimensions) to take the 86mm external (80mm internal) duct as supplied with the kit. This will allow for easy connection. Any gap can be filled in with cement or mastic.

- A proprietary grille is supplied with the kit.
- A room sealing kit which exits horizontally is available.

The room sealing method of supplying air is always to be preferred as heat loss from the room will be greatly reduced.

If the stove is not on an outside wall or the room sealing kit cannot be used, an air vent must be supplied in the room in which the stove is fitted. The sizes of the vents required are:

- 4Kw - No vent required
- 5Kw – For homes built before 2010 – no vent required. For homes built after 2010 - 550mm sq
- 7Kw - 1650mm sq (50mm diameter)
- 8Kw - 1650mm sq (50mm diameter)

Only permanently open vents can be used and consideration should be given to draught when the stove is not in use, therefore site this vent carefully. The vent covers should comply with Building Regulations Part J and should be sited where they cannot be blocked.

WARNING

The Burley Fireball & Firecube series of stoves are primarily for burning wood (this includes logs and sawdust briquettes). In smoke control areas only wood fuels should be used.

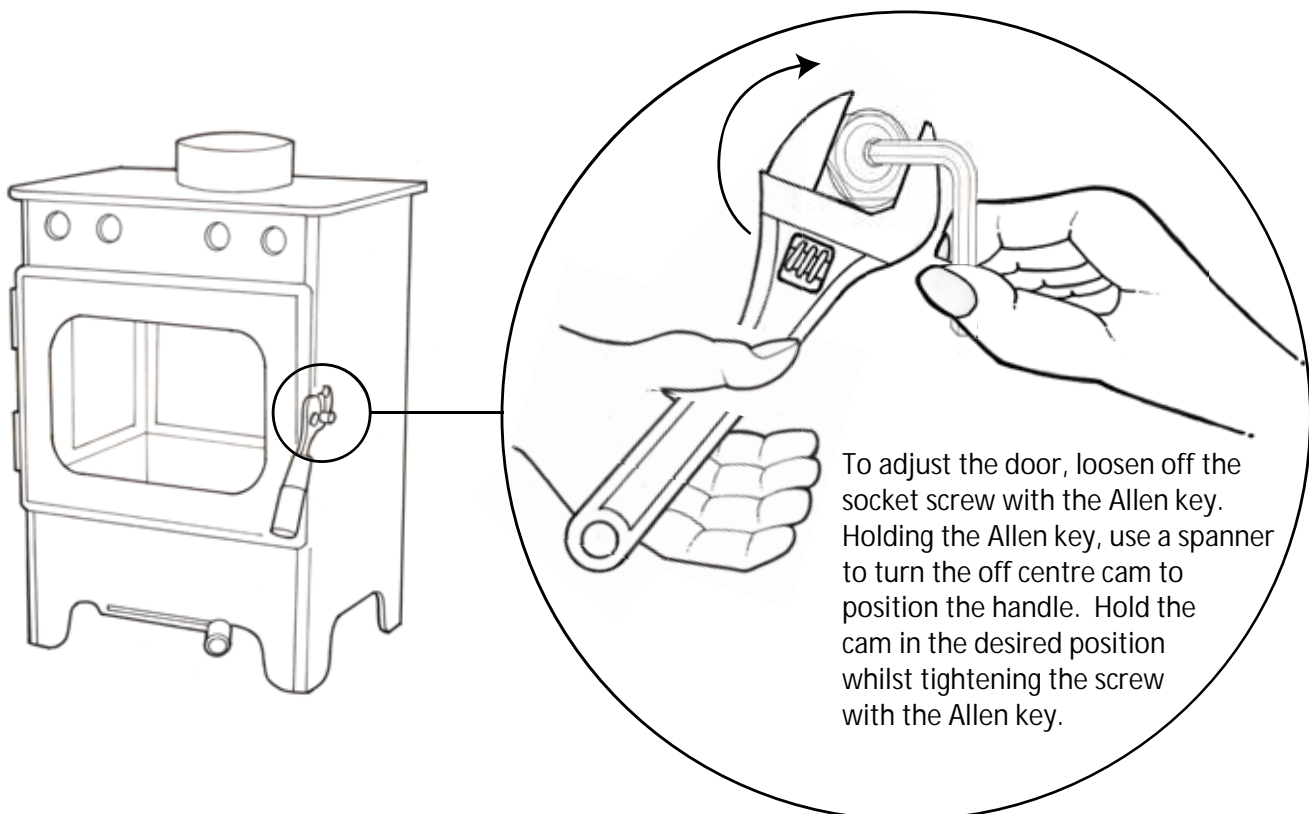
Before purchasing a stove we would strongly advise you seek the advice of a HETAS installer to ensure suitability of the product to your home.

Other fuels, such as coal (any type), smokeless fuels or petroleum coke can only be used if the optional multi-fuel grate is fitted (available on models 9105, 9108, 9305, 9307, 9308 only). Under no circumstances should liquid fuels be added. It is not an incinerator and rubbish, including painted or tanalised wood and MDF, should not be burnt in this appliance, doing so is potentially dangerous and will invalidate any guarantees immediately.

Stove Assembly

Door Handle Adjustment

There is a CAM and LOBE mechanism which allows the handle to be moved up and down or in and out. If required, adjust the handle so it lines up and engages correctly with the stud in the side of the stove. Incorrect alignment will put excessive force on the door hinges or will result in a poor seal between the door and the stove. The door may require adjustment as the rope seal compresses. A 5mm Allen key will be required.

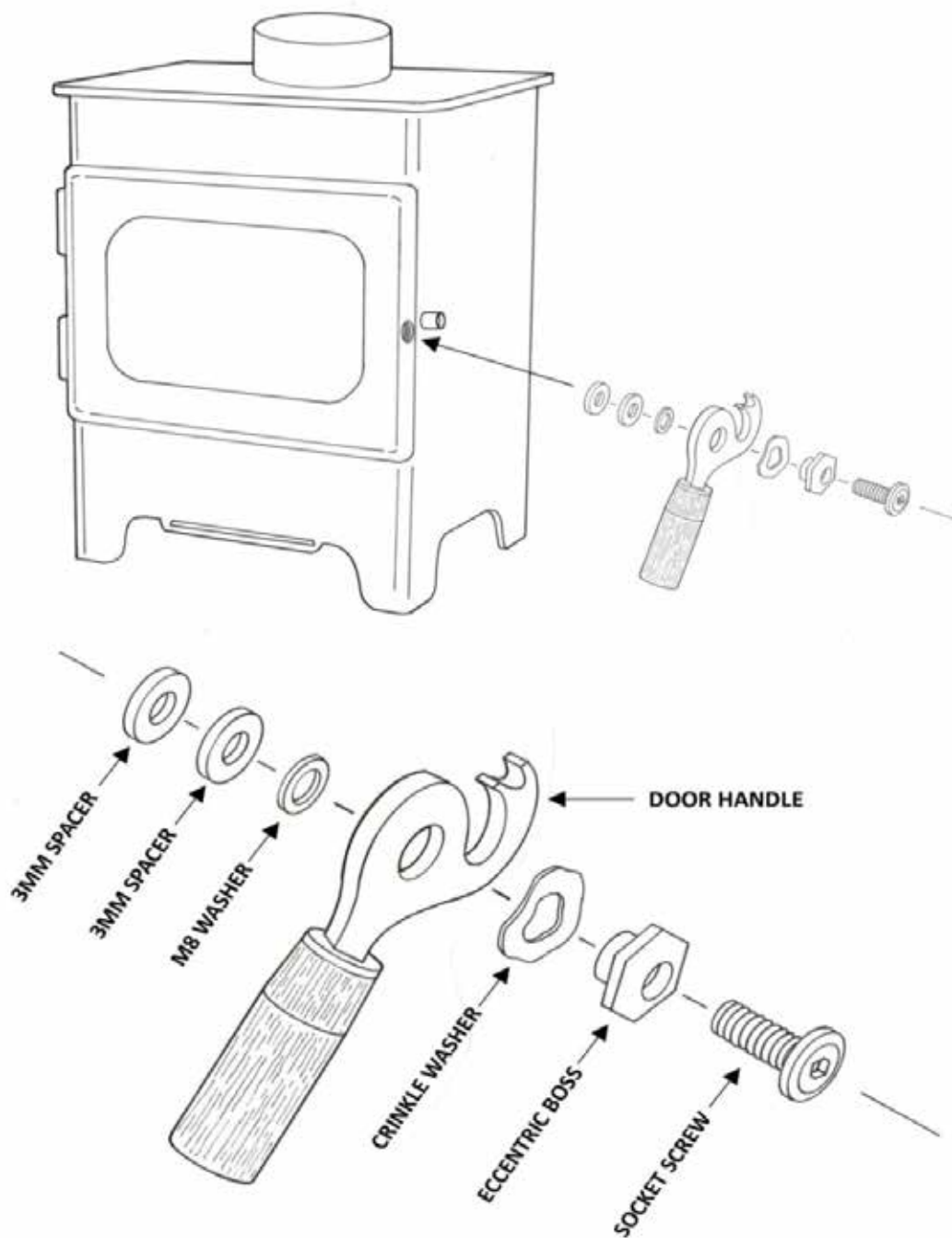


Door Handle Assembly

The Door handle is pre-assembled and fitted to your stove. The information below is for reference only.

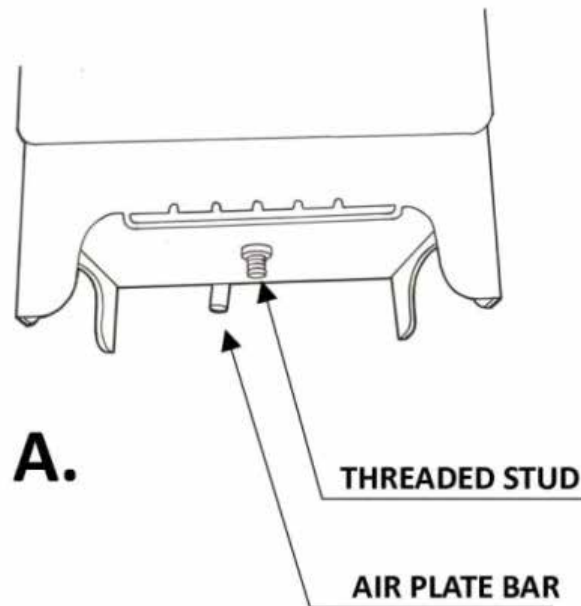
Fit the door handle and parts as per the assembly diagram below. (Please note it is very important to fit the parts in the correct sequence).

Tighten up the socket screw using the Allen key provided in the 'thank you' kit.

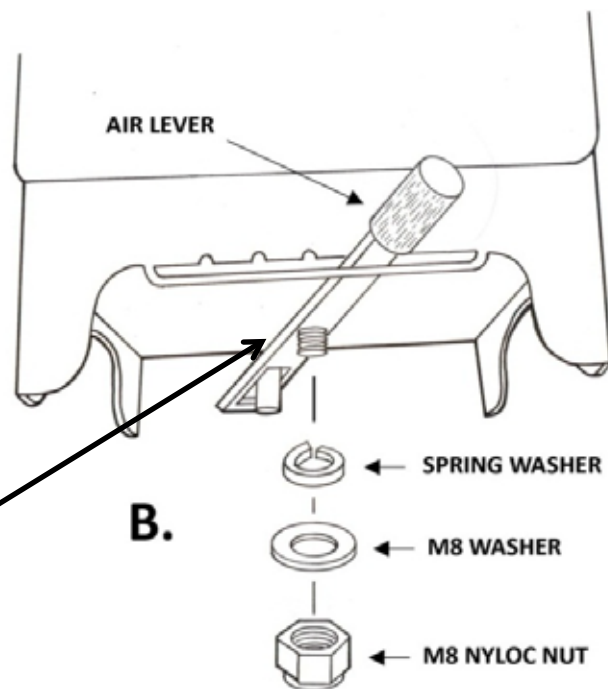


Air Lever Assembly

Tilt the stove back on the rear legs and support it so you can access the underneath of the stove



(A).



M10 Washer
above lever arm

Put the M10 washer over the threaded stud, push the air lever through the slot in the front of the stove, locate the end of the lever over the air plate bar and threaded stud, ensuring that the M10 washer sits over the unthreaded shoulder of the stud. Assemble the remaining washers and nut as per diagram (B) using the 13mm spanner. Please ensure the lever moves from left to right with just a little resistance to ensure it stays in place.

Levers and Handles

Please ensure that all levers and handles move correctly prior to positioning the stove in the opening or on the hearth. Adjustment may prove difficult once the stove is positioned.

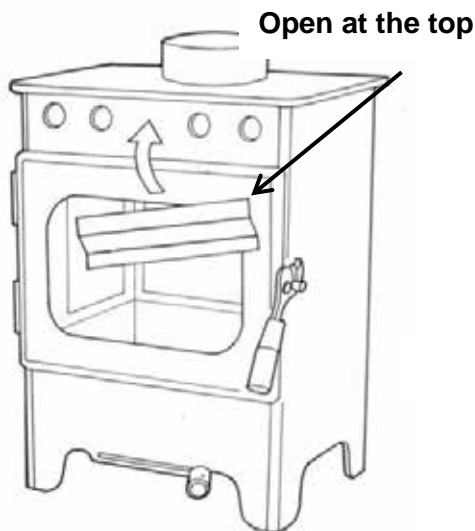
Should the lever become loose over time adjustment can be made by tightening the nyloc nut at the rear or the one under the stove (as above). Do not apply excessive force to the M8 nyloc

Optional Convection Tube Cover Plate

The cover plate is an option on the Fireballs for those people who do not like the appearance of the convection tubes.

Fitting the cover plate is easy:

- (1) Offer the cover plate up to the stove and locate the clips on the rear into the tubes and push it on.
- (2.) Make sure it is fitted open at the top and flush at the bottom. This is important for the convection heat to come through the tubes. Fitting the cover plate will not affect the efficiency of the stove.



Additional inner glass screen – 9307 only

If your chimney has a good draw the Carlby will extract any smoke when refuelling, but when connected to weaker flues or subject to downdrafts etc some smoke can spill when the door is open. To prevent this, an additional inner glass screen is provided to lower the door aperture. The installer should check the draw and fit the inner screen if required.

The screen is fitted as shown below (cut proof gloves should be worn in case of breakages).

1. With the door fully open, hold the glass horizontally inside the stove, holding the glass in the middle near the bottom edge.
2. Tip the glass slightly forwards and move it upwards and forwards so the top edge is behind the top of the door opening between the vertical square tubes.
3. Move the bottom of the glass forwards so it is vertical and then lower so the glass sits in the notch at the front of the holding brackets.
4. Move the top of the glass backwards until it rests at an angle leaning backwards against the top bar.

If fitted, the inner glass screen should be carefully cleaned at the same time as the door glass before each firing of the stove.

Assembly and Installation of the Stove Fire Bricks and Baffle

Having positioned your Burley stove and connected it to a chimney with flue pipe, you need to assemble the inside parts.

There are five internal components: top brick, two side cheeks, a rear brick and a stainless steel baffle.

Fitting of Stove Bricks

To fit the vermiculite bricks:

Place the left side in so the longer edge is at the front and the shorter edge at the rear.

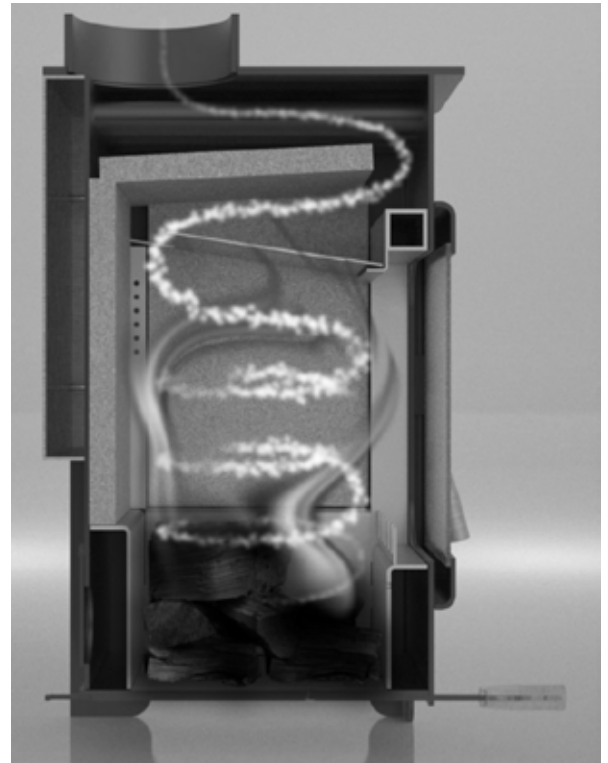
Put the top brick in the stove so the rounded edges are at the back and the flat surface is up. The top brick should stay in place by resting it on the side brick and the top of the square metal tubes.

Place the right side in so the longer edge is at the front

Place the back in.

Slide the top brick backwards so the lip sits over the back and side bricks, keeping them in place and ensuring there is no gap at the back.

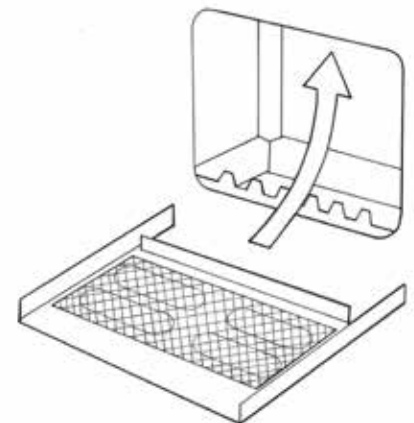
The base brick should already be fitted.



Fitting the Stainless Steel Baffle Plate

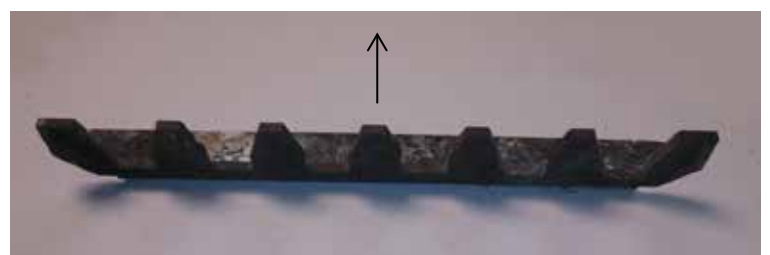
Fit the plate by putting the legs of the plate on top of the rear square metal tubes, you may need to lift the top brick. Bring the plate forward so it sits on the ledge above the door. Check that the top brick is still at the back of the stove and has not moved forward.

When sweeping the chimney or carrying out regular maintenance on the stove, reverse the above procedure, clean the chimney and the top surface of the top baffle and the stainless steel mesh, then reposition all the components.



Log Retaining Bar

Fit the log retaining bar so the angled return is pointing into the stove. This will help to keep the glass clean.



Catalytic converters

The catalytic converter(s) are bonded in the top vermiculite board, they work by capturing carbon monoxide and releasing it as carbon dioxide, generating more heat in the process. They have been placed in the ideal position for effectiveness and longevity, and unlike many catalytic wood burners, if treated with care they should never need replacing. . Please note the stove is not an incinerator and rubbish, including plastics, painted or tanned wood and MDF, Should not be burnt in this appliance, doing so is potentially dangerous, could damage or block the catalyst. This will invalidate any guarantees immediately. See over-firing below.

Commissioning the Appliance

On completion of the installation, when any fire cement or paint used has dried, a smoke 'bomb' should be burnt and all joints checked for smoke leakage and the chimney draw checked with all doors and windows closed. Please leave the instructions with the customer and inform them;-

The first time the stove is lit only a small fire should be used to allow the paint to cure properly. **Ventilate the room well as the fumes can be pungent.** Use a small amount of kindling to start the fire. If possible leave the door on the catch, although the fire looks fierce it is comparatively cool due to all the air being drawn in. Add a little more kindling as it burns down. When you have a small bed of embers place a small split log in the fire, allow it to catch well, and then close the door with the lever to the right. Stay with the fire during this process. When this first log is burning down add another log, when this one is burning well you should be able to move the lever midway to the centre. Keep feeding the stove for three hours with a small split log as it burns low.

When you need to remove some ash wait until it is cold and then take some out using the scoop provided. Always leave an inch of ash so you have a nice bed for your next fire.

USER INSTRUCTIONS

To Light the Stove

It is important to keep an approximate minimum depth of $\frac{3}{4}$ " (20mm) of wood ash in the fire box at any time. You will achieve this after the first few firings.

Place 1 or 2 firelighters in the bottom, then add a good amount of kindling wood criss-crossed, and finally a small log on top. Light the firelighters open the air vent to maximum (to the right) and close the door to the first latch so there is an air gap around it.

Leave it like this for around five minutes or so, the fire should be well alight and the door can now be closed to become air tight. Leave the air control lever to the right for a further 10 to 20 minutes to get the stove completely up to running temperature. If the stove does go out when the door is closed then the flue is still too cold and will not pull, in this case you may need to leave the door open with kindling burning for longer. The flue's pull will change dependant on temperature and atmospheric conditions.

Efficient running and over-firing

The best lever position to achieve maximum efficiency will depend on the chimney draw, but will normally be near the centre. Every chimney is different, and you will eventually find your stove's optimum position. This is when the flames are swirling in a lazy manner around the stove, not roaring. If the lever is pushed too far to the left, you starve the fire of oxygen, causing the glass to darken; a good indicator of this is that the flames will appear to burn sporadically and above the wood. Move the lever a small amount to the right so there is a lazy flame.

Leaving the lever to the right will cause a roaring fire, this may look impressive but you are burning a lot of fuel and creating much less warmth for the house. Over firing damages internal components and catalytic converter (s) and invalidates your warranty.

The best way to refuel any wood stove is 'little and often' and Burley's stoves are no different. it is best to keep adding a small log every 45 minutes rather than adding large ones every 2 hours.

It may be tempting to load up the stove and shut it down in the hope it will still be alight in the morning but this is unwise. A slumbering stove does not burn, it smoulders, and rather than the creosote being burned, it will deposit tar on the inside of the stove and the flue, excessive deposits are a major cause of chimney fires.

 **THE STOVE IS NOT DESIGNED TO BE USED WITH THE DOOR OPEN!**

To reload, open the door slowly to allow the pressure to equalise. Using the glove provided, place the fresh log towards the rear of the appliance. Close the door.

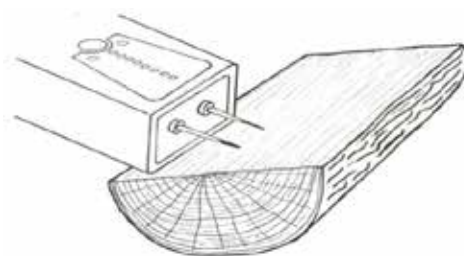
Do not over load any stove with fuel and close the damper down, this produces lots of creosote and blackens the glass

Recommended fuels & using the Moisture Meter

| Model | 9104 & 9304 | 9105 & 9305 | 9307 | 9108 & 9308 |
|-------|---------------------------------|---------------------------------|---------------------------------|--------------------------------|
| | Dry logs <20% H ₂ O | Dry logs <20% H ₂ O | Dry logs<20% H ₂ O | Dry logs<20% H ₂ O |
| | Maximum length 200 - 250mm long | Maximum length 250 - 300mm long | Maximum length 250 - 300mm long | Maximum length 250 -350mm long |
| | Maximum width 150mm | Maximum width 150mm | Maximum width 150mm | Maximum width 150mm |

For the stove to operate at maximum efficiency the wood should be as dry as possible, certainly below 18%. Burning damp or wet wood will not only stop the stove working efficiently, but also create excess smoke and stain the glass.

Remove the plastic cap covering the two contact pins. The pins are sharp for a reason, so please use it carefully. Push the pins into the **inner surface** of the split log (5mm as a guide) this will give an accurate reading.



Simply putting the contact pins onto the surface will not give an accurate reading, as it may tell you that the surface is dry whilst the interior of the log may well be damp.

 **Stove Thermometers - DO NOT USE WITH OUR STOVES**

We receive a very small number of calls from customers who have managed to damage their stoves from over-firing, in almost all cases they have a thermometer fitted to their flue.







These stoves are the world's most efficient because firstly, due to the unique method of introducing air, the combustion chamber is extremely hot, and secondly, the heat is extracted from the combusted gasses to heat the room before it enters the flue, so the chimney is cooler than with normal stoves.

Because the thermometer is not 'in the green', you think that the stove is not operating efficiently, so load the chamber with wood and have the air wide open. This creates such an inferno that

occasionally the ceramic glass can frost (something even the windows on the space shuttle could not achieve during re-entry), and although it is very rare, the stainless steel baffle can also be damaged, stainless steel melts at over 1500°C!

The ONLY thing that a stove thermometer shows is that you have an inefficient stove and are losing a lot of heat up the flue, not a great deal of use really.

Troubleshooting/Poor Appliance Operation

| | | |
|--|--|---|
|  | Refuelling onto a low fire bed | If there is insufficient burning material in the fire bed to light a new fuel charge, excessive smoke emission can occur. Refuelling must be carried out onto a sufficient quantity of glowing embers and ash to ensure that the new fuel charge will ignite. If the fuel bed is too low or cool, suitable kindling must be used to re-light fires. |
|  | Air damper left fully open | Although the fire will look impressive, you will be burning more wood for less heat. The glass can also be damaged. |
|  | Leaving door open | Operation with the door open can cause excess smoke and a potential fire hazard. The appliance must not be operated with the door left open except as directed in the instructions. |
|  | Overloading the fire bed – Fuel weight per hour | The maximum amount of fuel specified in this manual should not be exceeded. The weight of dry wood per hour is: 1.0kg for the 9103, 1.3kg for the 9104, 1.6kg for the 9105, 2.8kg for the 9108 and 4.4kg for the 9112. Overloading can damage components of the stove. The stove is not designed for overnight operation. |
|  | Substantial Smoke Emission | If substantial smoke emission is observed from the appliance at any time during the operation of the appliance the operator should ensure they are following the operation instructions and using <u>suitable</u> fuel. The flue may not be pulling as it is too cold or incorrectly specified/installed. There might be a down draught. Check that the top brick is at the back of the fire. |
|  | Door Adjustment | The locking mechanism on the door is made up of a cam and lobe assembly. The door can be loosened or tightened with an Allen key (see page 10). The door will need to be adjusted over time as the rope seal compresses. |

Reasons for Premature Wear of Internal Parts

- Stove being used/fired too vigorously
- Too little air passing through the stove
- Use of excessively dry wood (wood from old furniture, carpentry offcuts)
- Excessive debris collection on baffle plate or inner fireback (see section on cleaning)
- Ash level too high in the ash pan over 2 ½ “
- Overnight burning
- Use of a stove thermometer (see page 16)

Care of Glass

The first few firings will cure the paint and we recommend that you clean the glass after this has happened. This will ensure that there are no contaminants on the glass to attract further staining. After a time the glass does deteriorate but to prolong the life:

- Clean the glass each time before re-lighting, this prevents fly-ash from being fired onto the glass
- Clean glass with a ceramic glass cleaner
- If necessary, remove fired on stains with clean wire wool (not a 'brillo' type pad) every time before lighting
- Ensure all glass cleaner is removed from glass before firing
- Do not over aerate the stove as this can cause fly ash to stick.
- Do not run for long periods with the lever to the right
- Only add logs at the back of the stove
- Make sure the log retainer points into the stove
- Most deposits burn off when the stove is very hot, this is with the lever roughly in the middle
- Do not over load the stove or try and keep it in overnight. Add a little wood often.

The stove is double glazed; check the rope seals and screws regularly to ensure a long life.



Take care when removing glass clip screws or they could shear



Do not use with broken glass



Do not over tighten the glass clips as this could cause the internal glass to crack.



Only clean the glass when it is cold and clean daily to prevent build-up of deposits.

Chimney Sweeping and Maintenance

It may be wise to contact your local chimney sweep before the stove is installed. Your chimney should be swept at least once a year by a registered sweep, twice a year with heavy use. The sweep should also replace the fire cement at the base of the flue if necessary.

- The chimney can be swept through the stove.
- The stainless steel baffle and top brick should be removed in the reverse order described on page 14.
- The baffle should be cleaned at least twice a year with heavy use, checked, renewed as required and replaced.
- Unless advised by Burley the stove should not be used with any baffle missing.
- All rope and glass seals should be checked annually and replaced as necessary.

If the stove has not been used for a prolonged period, in excess of 6 months, the chimney should be swept prior to use to check for blockages, birds' nests etc. and rubble/debris blocking the flue ways.

Safety



NOTE: As with all solid fuel appliances, a carbon monoxide detector should be purchased for use in the room. All solid fuel appliances produce considerably more Carbon Monoxide in normal use than oil or gas appliances, but the general ‘smell’ of the smoke or exhaust is much stronger and more easily detected by a healthy person.

- Always use your appliance with the door shut and look for tell-tale signs of excessive leakage: smoke stains above the fireplace, smoke emitting around the door when running, strong smell of soot upstairs etc.
- Check the seals at the joints annually and replace the fire cement as required. Check especially the joint of the flue pipe to the chimney register plate, hairline cracks are OK, but lumps of cement missing produce a bad joint. A proprietary jointing compound should be used here, as it is far superior to a cement and rope seal.
- Never block air vents either internally or externally.
- Use the supplied glove to reload the stove.
- In the event of a chimney fire, close the door and shut the air vent right down. If possible throw ½ cup of coarse table salt onto the fire.
- Never modify parts or fit parts to the appliance that are not recommended by the manufacturer.
- Never use this appliance in the same flue as another appliance.
- The surface of a wood burning stove gets extremely hot in normal use. When using the stove in situations where children or aged and/or infirm persons are present, a fireguard must be used to prevent accidental contact with the stove. The fireguard should be manufactured in accordance with BS 8423:2002.

Spare Parts

If you need to replace the consumable items in your Burley stove then please contact your retailer who will be able to source the parts for you.

Common parts that “wear out”:

| DESCRIPTION | 9104-C & 9304-C | 9105-C & 9305-C | 9108-C & 9308-C | 9307-C |
|------------------------------|--|--|---------------------------------------|--------------------|
| | PART NO | PART NO | PART NO | PART NO |
| TOP VERMICULITE BOARD | WTOPBAFFLE4/CAT | WTOPBAFFLE5/CAT | WTOPBAFFLE8/CAT | WTOPBAFFLE9307/CAT |
| BACK VERMICULITE BOARD | WBACLINER4/CAT | WBACLINER5 | WBACLINER8 | WBACLINER9307 |
| BOTTOM VERMICULITE BOARD | WBOTLINER4/CAT | WBOTLINER5 | WBOTLINER8 | WBOTLINER9307 |
| LEFT HAND VERMICULITE BOARD | WL/HLINER4/CAT | WL/HLINER5 | WL/HLINER8 | WL/HLINER9307 |
| RIGHT HAND VERMICULITE BOARD | WR/HLINER4/CAT | WR/HLINER5 | WR/HLINER8 | WR/HLINER9307 |
| GLASS | WGLASS/MIC x 2 (9104) WGLA9304 X 2 (9304) | WGLASS/S x 2 (9105) WGLA9305 X 2 (9305) | WGLASSM x 2 (9108) WGLA9308 (9308) | WGLASS9307 x 2 |
| GLASS CLIPS | WGLASSCLIP/M x 2 | WGLASSCLIP/S x 2 | WGLASSCLIP/S x 2 | WGLASSCLIP/L |
| GLASS ROPE TAPE | GLASSROPE9104/9304 | GLASSROPE9105/9305 | GLASSROPE9108/9308 | GLASSROPE9307 |
| DOOR SEAL ROPE (20mm) | DOORROPE9104/9304 | DOORROPE9105/9305 | WDOORROPE9108/9308 | DOORROPE9307 |
| STAINLESS STEEL BAFFLE | WLOWBAFMIC x 1 | WLOWBAFSMA x 1 | WLOWBAFMED x 1 | WLOWBAF9307 |

Warranty

All our stoves are covered by a five year metalwork warranty. **(This is subject to the correct fuel having been used and not overloading or over aerating the stove.)**

The five year warranty covers the stove body only and does not include consumable items such as grates, firebricks, vermiculite panels, baffles, log guards, door rope and glass.

Any warranty claims should be addressed to your original supplier and accompanied with the date of purchase and serial number of the appliance.

If you need further help...

If you need further help with your Burley Stove then the first point of contact should be your HETAS installer, who will be able to provide the answers to most questions.

Your Burley retailer also has a great deal of experience and will also be able to provide helpful advice. Further help is available from Burley's Customer Services department who will be pleased to give advice, if necessary.

Customer & Installation Notes

| | |
|-----------------------|--|
| Date of Installation: | |
|-----------------------|--|

| |
|----------------------------------|
| Installer Name & contact details |
| |

| Chimney Swept By: | Date |
|-------------------|------|
| | |
| | |
| | |
| | |
| | |

| |
|--------|
| Notes: |
| |
| |
| |
| |



Burley Appliances Limited
Lands' End Way
Oakham
Rutland
LE15 6RB
United Kingdom

Further information can be found at:
burley.co.uk/category/wood-burning-stoves/
Email: sales@burley.co.uk
Phone: 01572 756956
Fax: 01572 724390