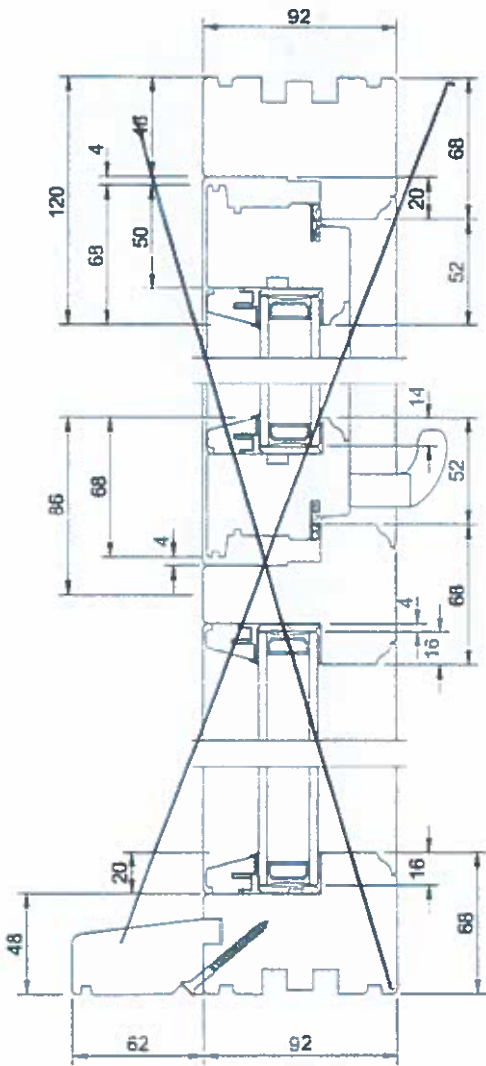


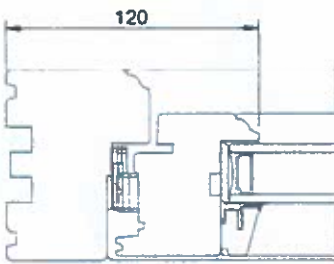
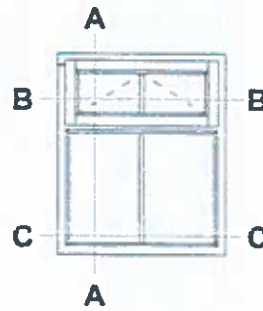
General Arrangement Drawings.

2

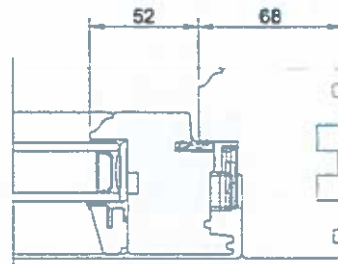
Flush Casement - Top Hung - Vertical & Horizontal Sections.



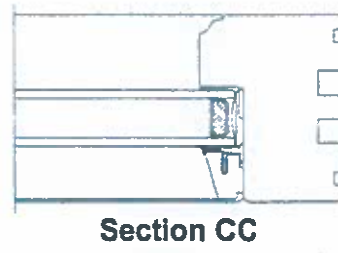
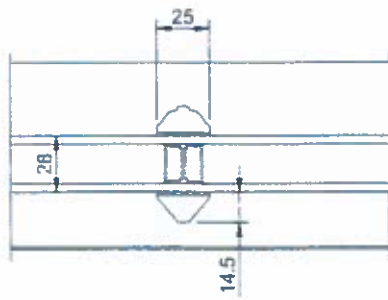
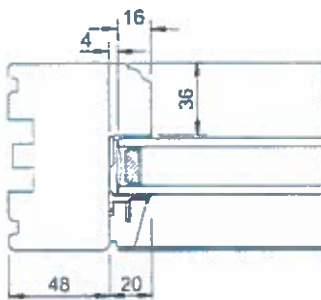
Section AA



Cottage Bars



Section BB



Section CC

(GA/747 Rev. -)

*OUTSIDE*