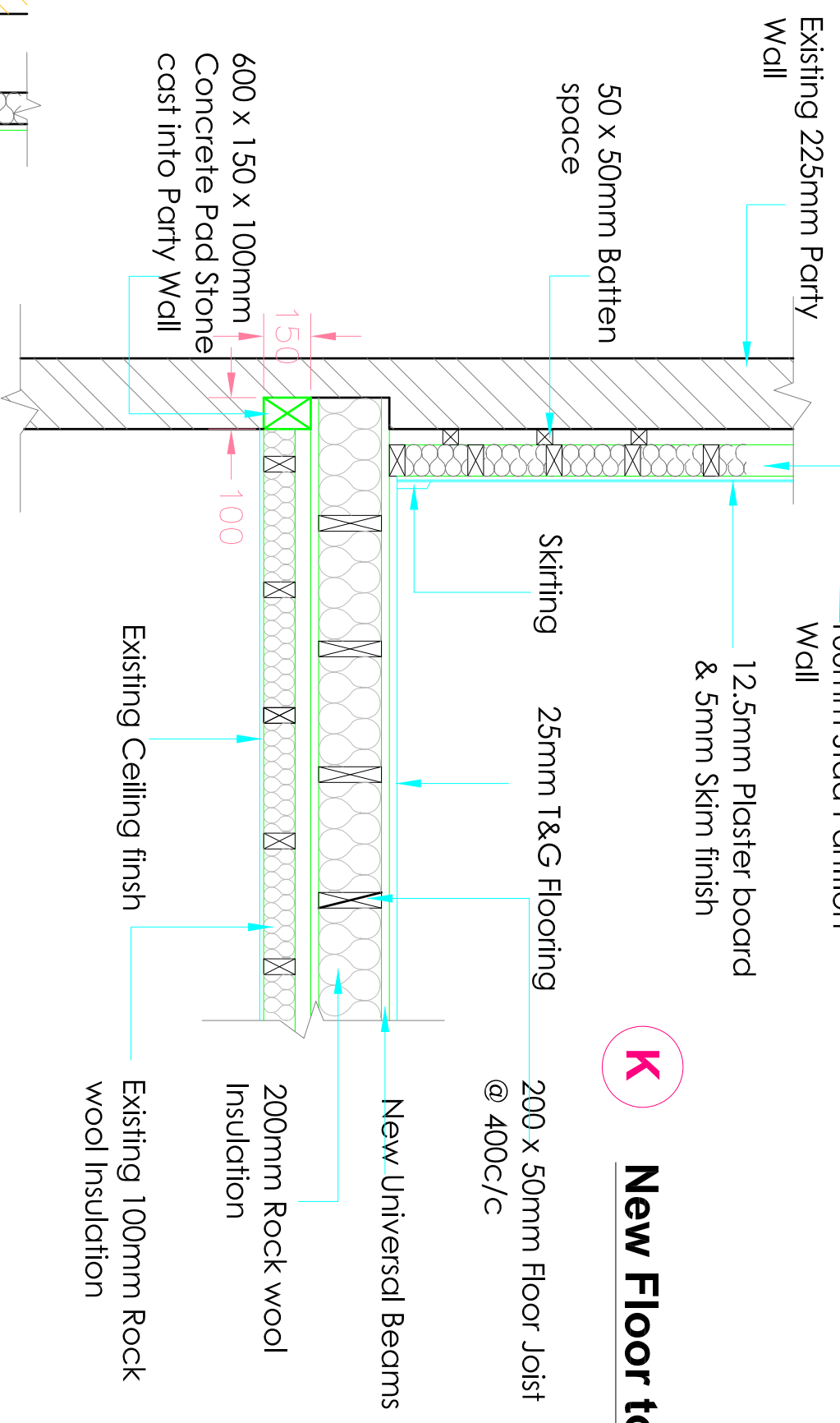
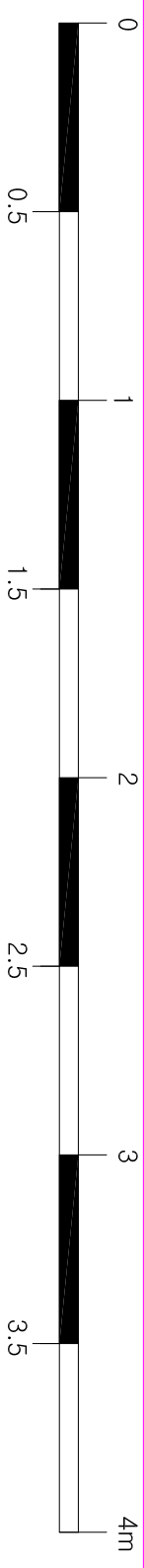
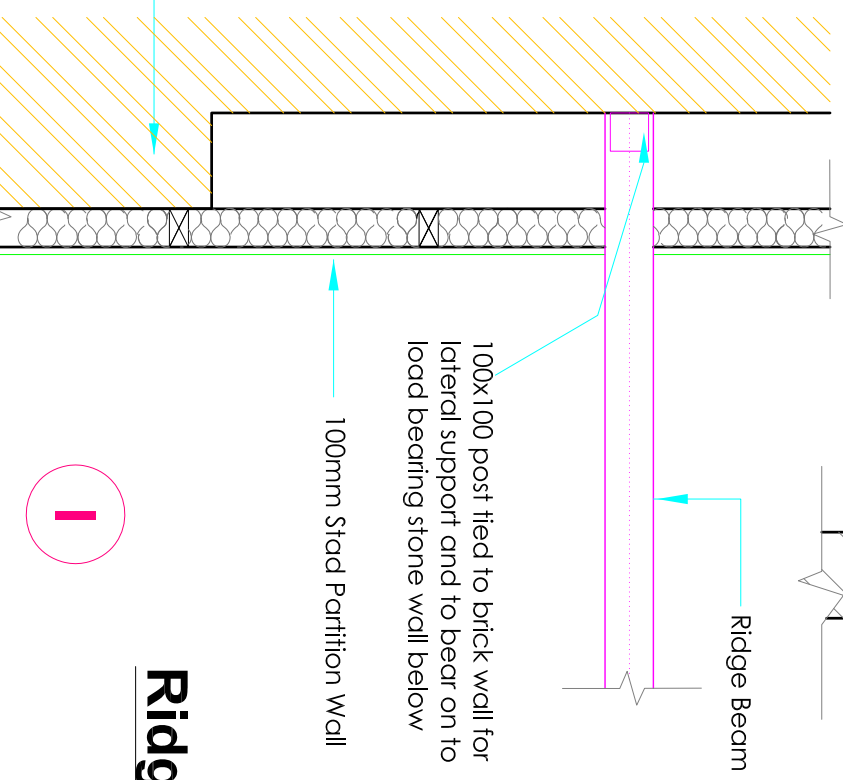


SCALE 1:20 @ A3



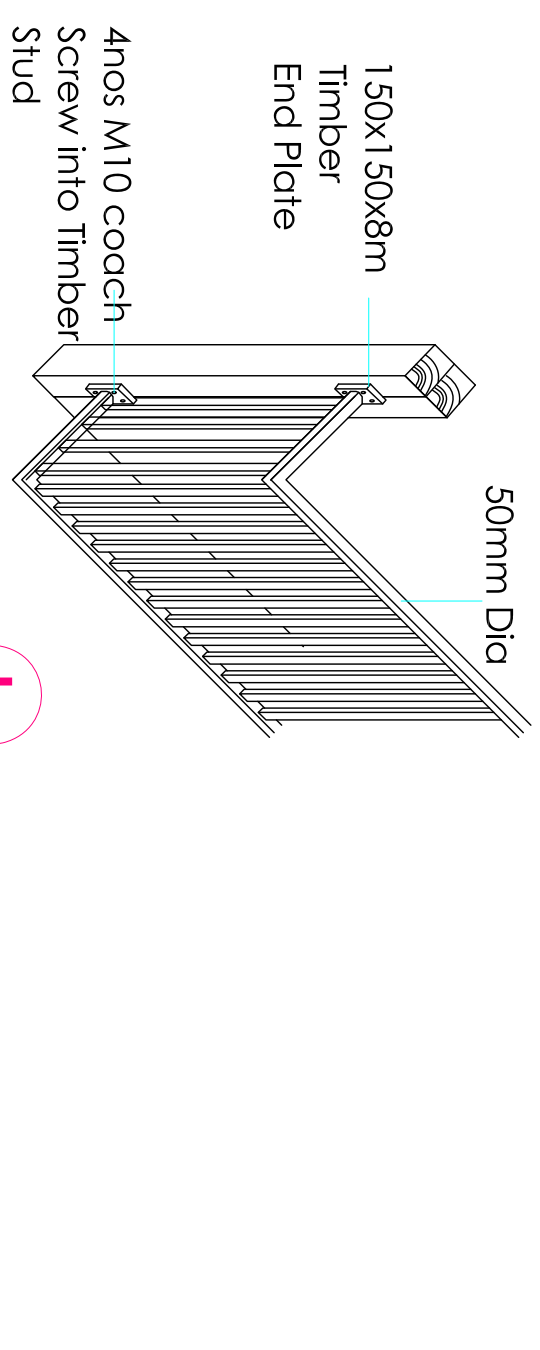
K

New Floor to Loft Space Scale 1:20



I

Ridge Beam Scale 1:20



L

Juliet Balcony Detail Scale 1:20

ALL DIMENSIONS TO BE CHECKED ON SITE ONLY TO BE SCALED FOR PLANNING AND BUILDING REGULATIONS			
Ref.	Revision	Date	By
E RILEY ASSOCIATES CHARTERED SURVEYORS 5 PARKWOOD CLOSE BROOKBOURNE HERTFORDSHIRE EN10 7PF TEL: 020 8886 4633 Mobile: 07296 0325 096 		Project Address: 188 BRIDS FOOT LANE LUTON LU3 2DL Client: MR LULI TAFASI	Date: APRIL 2021 CAD & Drawn by: BB Drawn & Checked by: ER File name: T & B125 April 2021
Project title: LOFT CONVERSION		Drawing title: DETAIL DRAWING 2	Scale: 1:20 & 1:10 Drawing No: 18/20