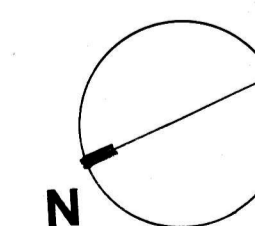
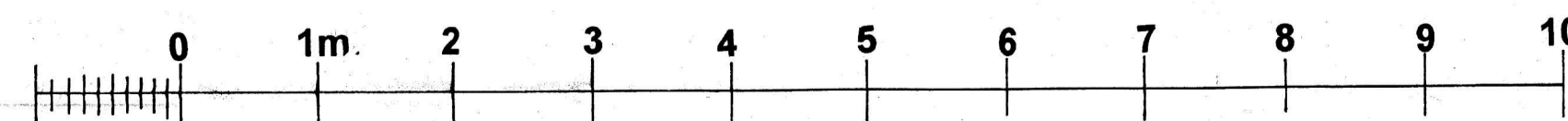
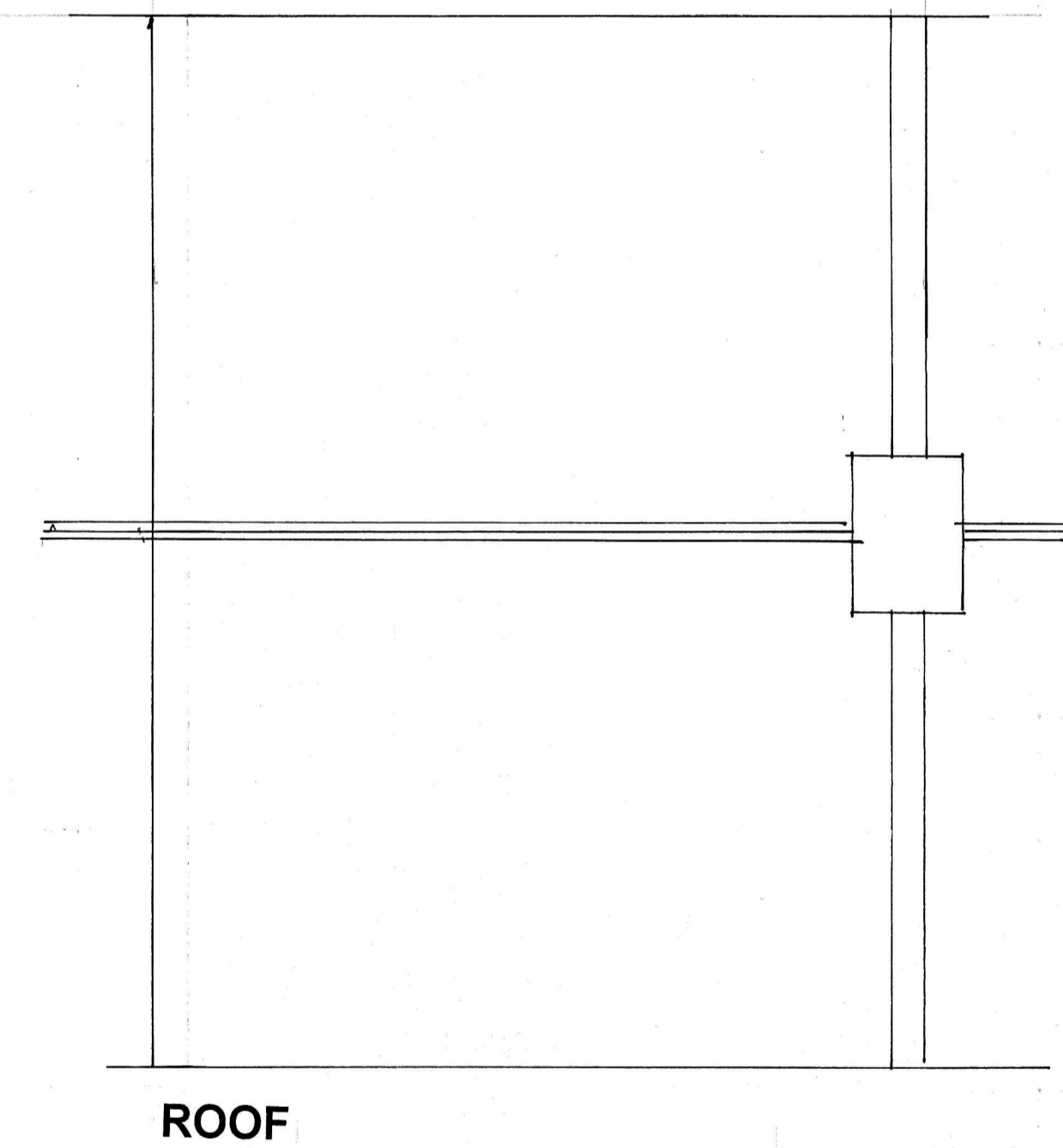
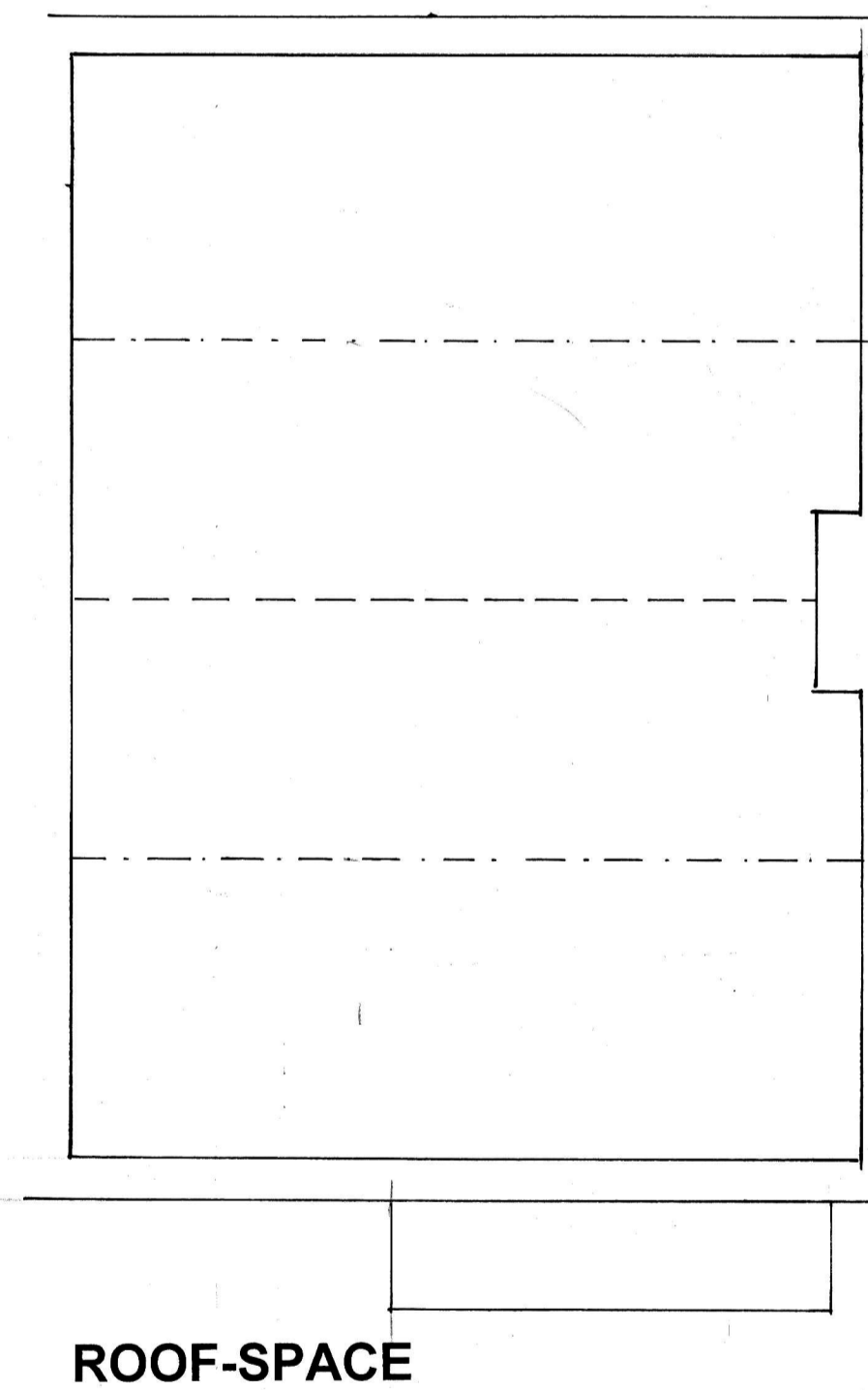
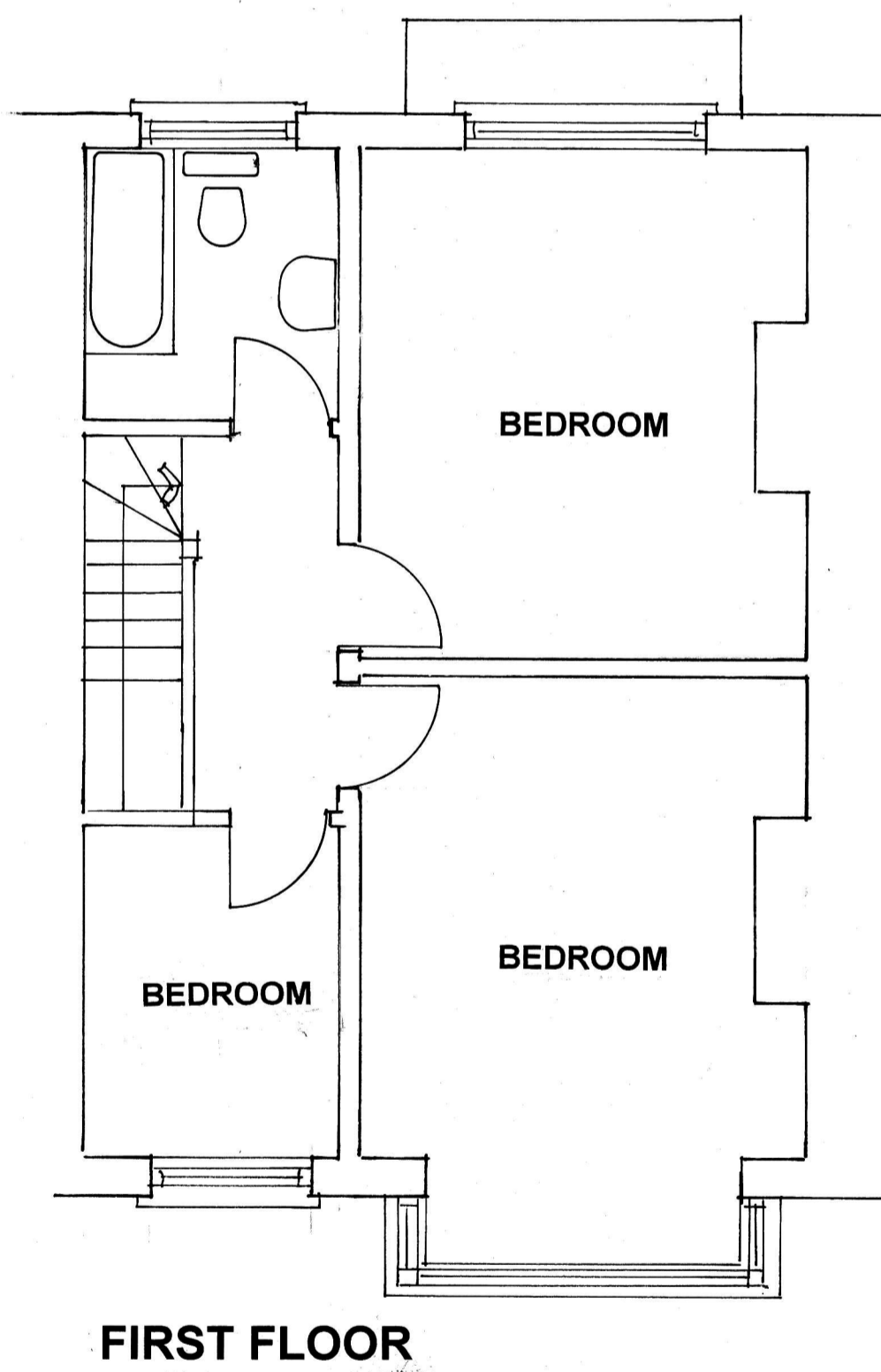
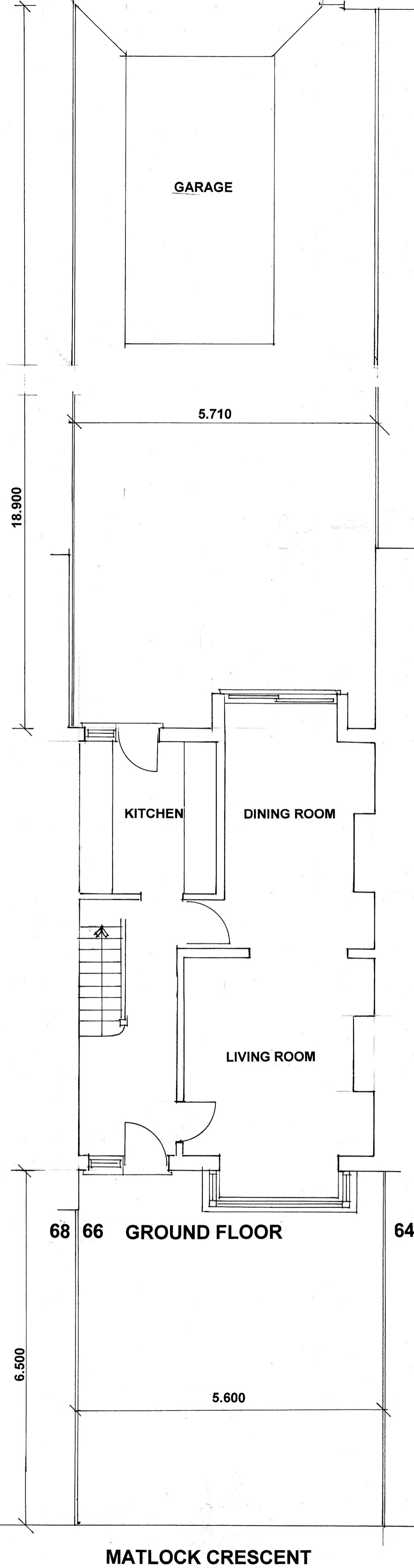


- GENERAL NOTES:**
1. Do not scale this drawing for construction purposes.
 2. All dimensions in this drawing are in metric unless otherwise stated.
 3. This drawing and all other drawings, schedules, specification, details and any other information relating to this project are the copyright of Andrew Lea-Gerrard RIBA, Chartered Architect.



REV NO	DATE	REVISION
		66 MATLOCK CRESCENT SM3 9SN
		EXISTING PLANS
		SCALE - 1:50 @ A1 MAY 2021
		DRAWING NO: 66MC/P/001
ANDREW LEA-GERRARD RIBA CHARTERED ARCHITECT CHARTERED PRACTICE 142 EMMANUEL ROAD LONDON SW12 0HS E MAIL: andrew@lea-gerrard.co.uk Mob: 07887 571 553		